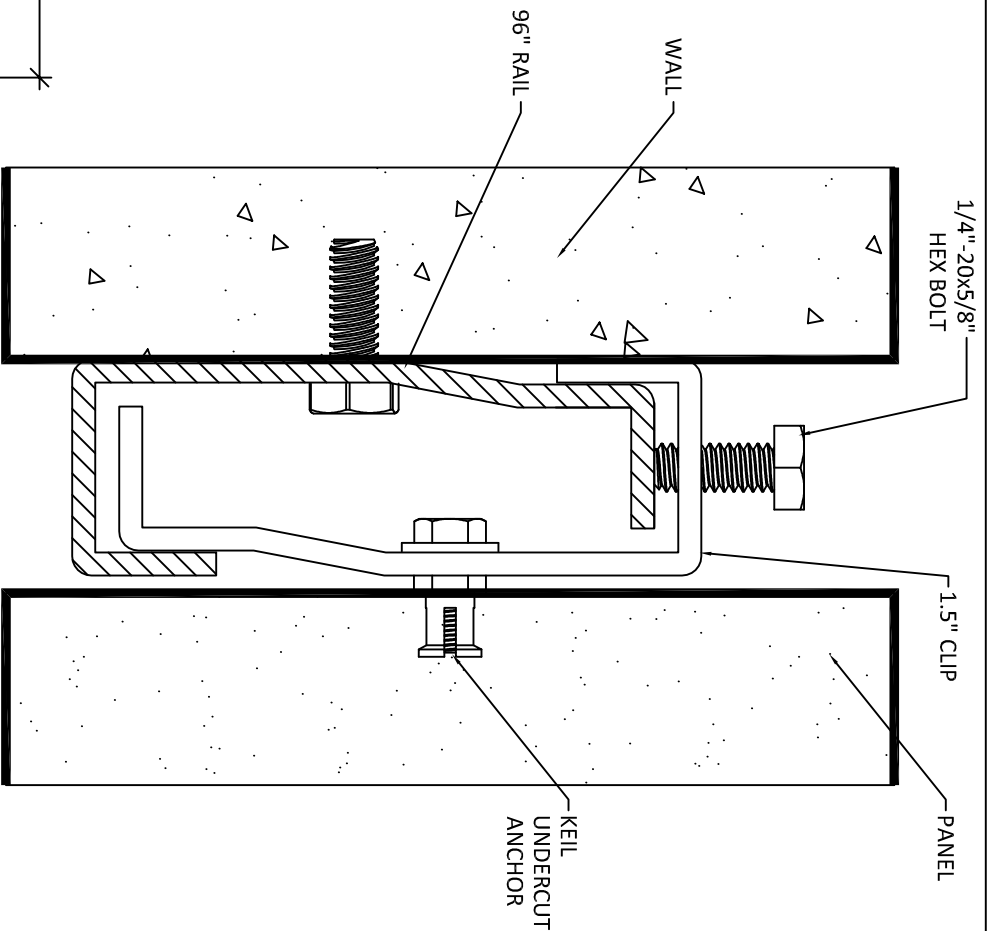


SCALE: 1:4



STAINLESS CLADDING SYSTEM  
1.5" CLIP ENGAGED WITH 96" RAIL

PROPRIETARY AND CONFIDENTIAL

THE INFORMATION CONTAINED IN THIS DRAWING IS THE SOLE PROPERTY OF MONARCH METAL FABRICATION. ANY REPRODUCTION IN PART OR AS A WHOLE WITHOUT THE WRITTEN PERMISSION OF MONARCH METAL FABRICATION IS PROHIBITED.

DRAWN	NAME	DATE
CHECKED	GURU	04/19/19
COMMENTS:	BB	



TITLE:  
MFSTR-SSXCLAD-96RAIL

SIZE DWG. NO. REV

A MFSTR-SSXCLAD-96RAIL A

SCALE: 1:1 WEIGHT: SHEET 1 OF 3

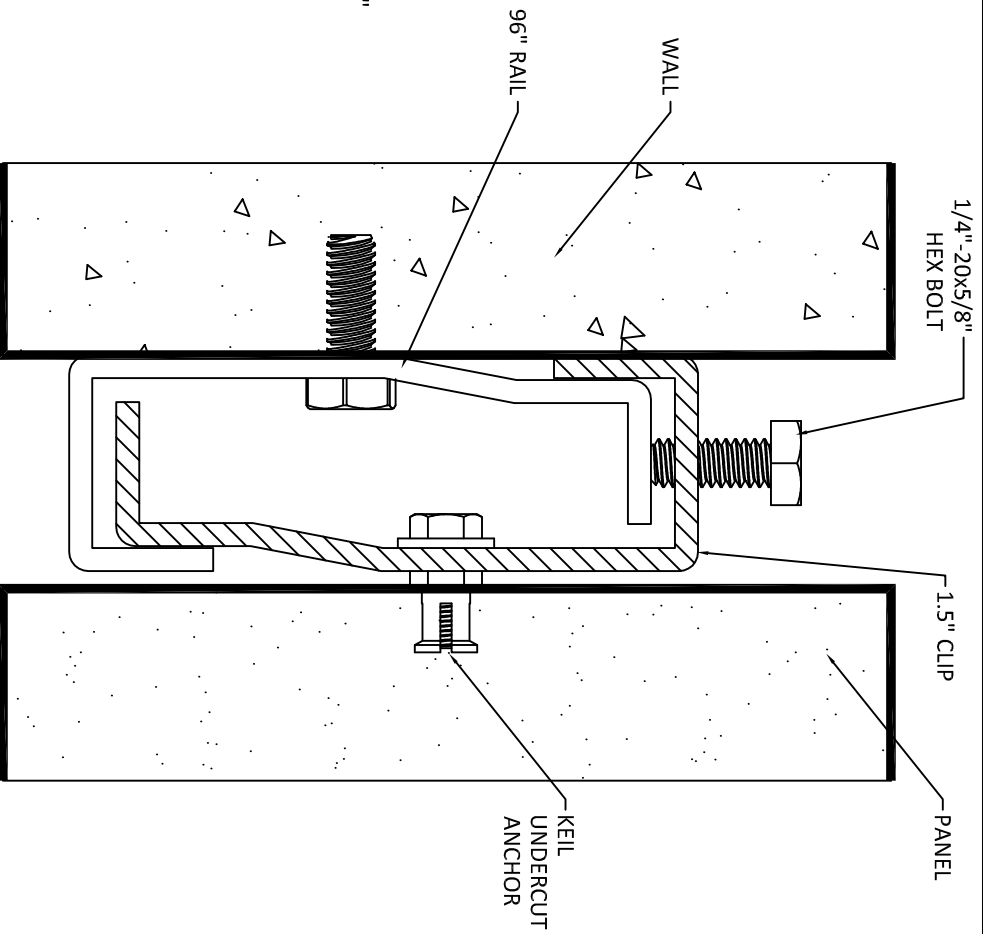
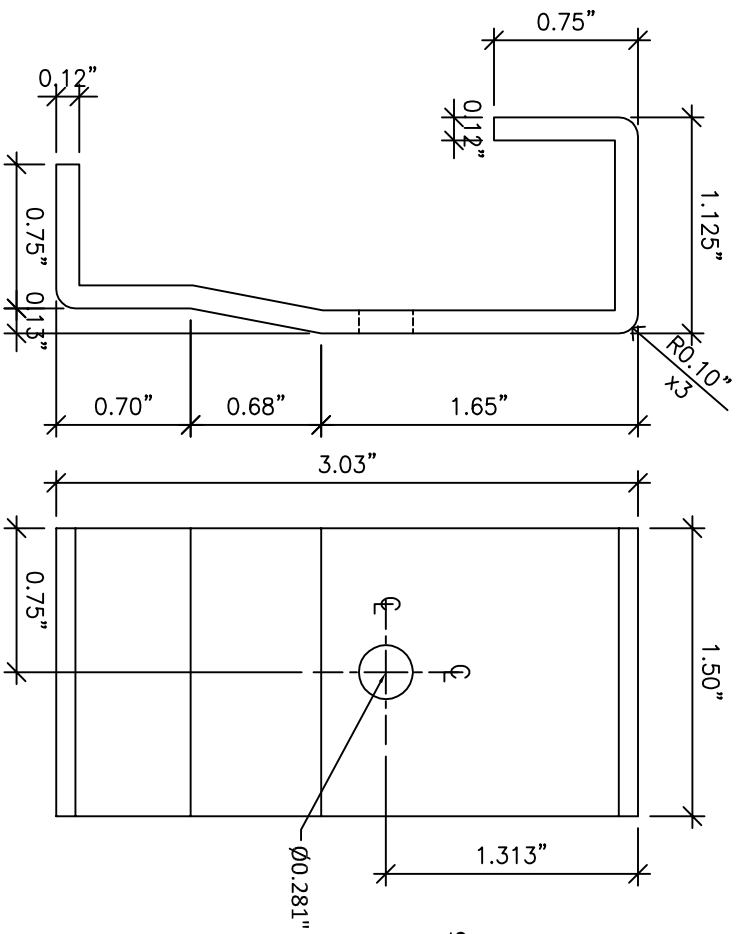
5

4

3

2

1



STAINLESS CLADDING SYSTEM  
1.5" CLIP ENGAGED WITH 96" RAIL

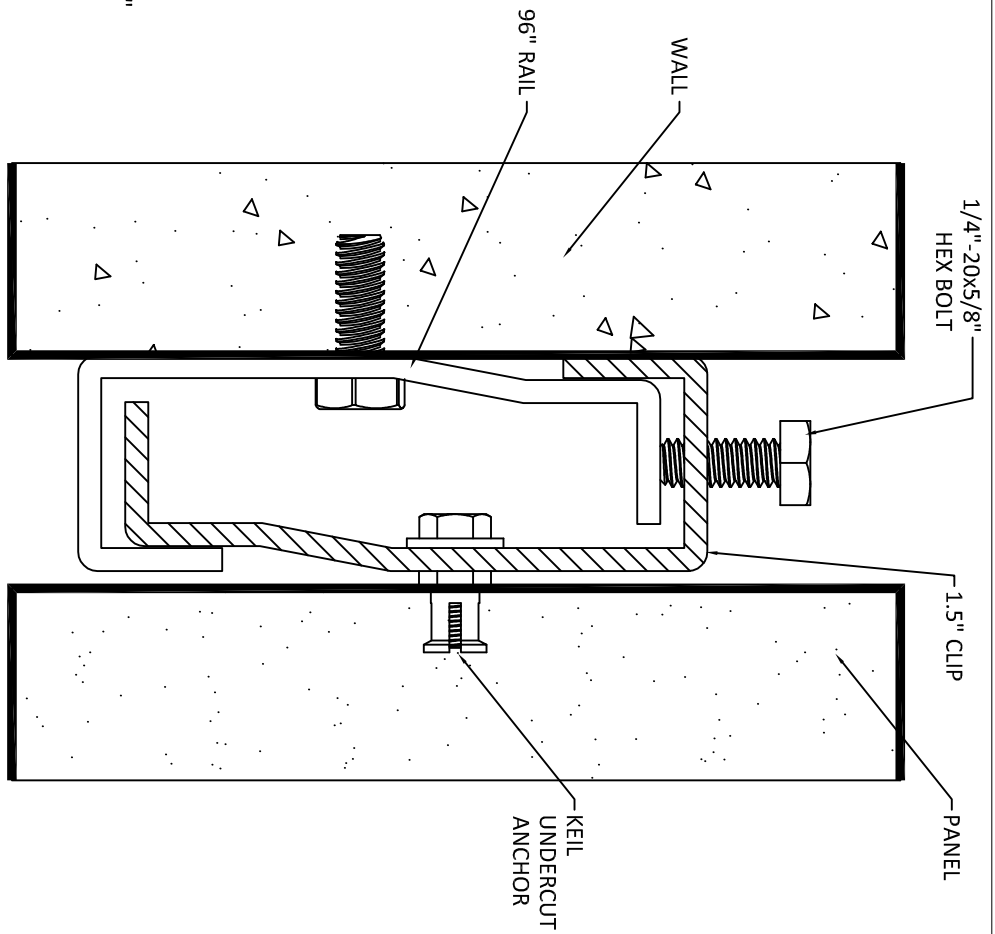
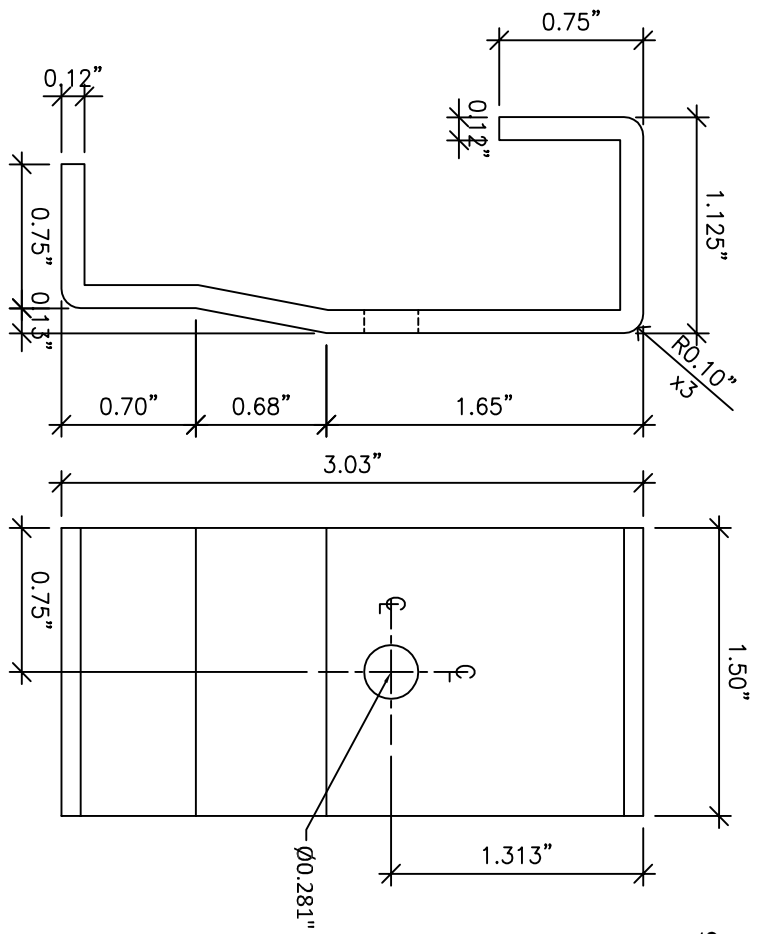
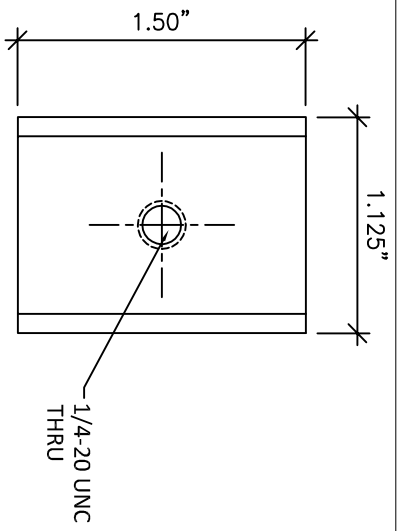
**PROPRIETARY AND CONFIDENTIAL**  
THE INFORMATION CONTAINED IN THIS DRAWING IS THE SOLE PROPERTY OF MONARCH METAL FABRICATION. ANY REPRODUCTION IN PART OR AS A WHOLE WITHOUT THE WRITTEN PERMISSION OF MONARCH METAL FABRICATION IS PROHIBITED.

DRAWN	NAME	DATE
CHECKED	BB	
COMMENTS:		



TITLE:  
**MFSTR-SSXCLAD-1.5FIX**

SIZE	DWG. NO.	REV
<b>A</b>	MFSTR-SSXCLAD-1.5FIX	<b>A</b>
SCALE: 1:1	WEIGHT:	SHEET 2 OF 3



STAINLESS CLADDING SYSTEM  
1.5" CLIP ENGAGED WITH 96" RAIL

**PROPRIETARY AND CONFIDENTIAL**  
THE INFORMATION CONTAINED IN THIS DRAWING IS THE SOLE PROPERTY OF MONARCH METAL FABRICATION. ANY REPRODUCTION IN PART OR AS A WHOLE WITHOUT THE WRITTEN PERMISSION OF MONARCH METAL FABRICATION IS PROHIBITED.

DRAWN	NAME	DATE
CHECKED	BB	04/19/19
COMMENTS:		
MATERIAL: 304 Stainless FINISH: - DO NOT SCALE DRAWING		



TITLE:  
**MFSTR-SSXCLAD-1.5ADJ**

SIZE	DWG. NO.	REV
<b>A</b>	MFSTR-SSXCLAD-1.5ADJ	<b>A</b>
SCALE: 1:1	WEIGHT:	SHEET 3 OF 3