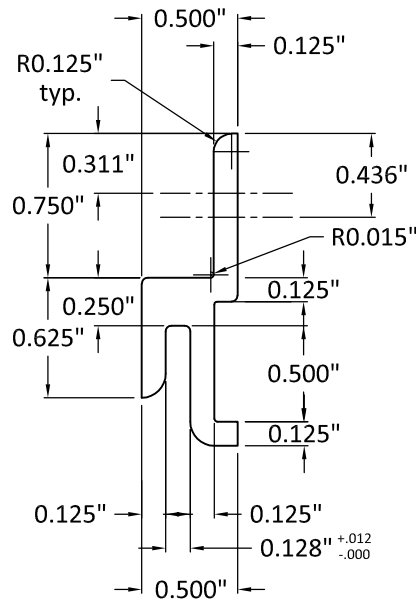
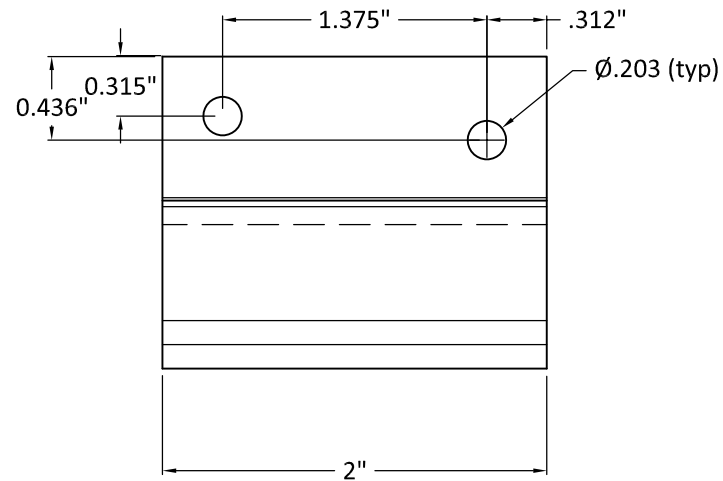


BOTTOM EDGE SCALE 1:2 TOP EDGE



SCALE 1:1



SCALE 1:1

PROPRIETARY AND CONFIDENTIAL
 THE INFORMATION CONTAINED IN THIS DRAWING IS THE SOLE PROPERTY OF MONARCH METAL FABRICATION. ANY REPRODUCTION IN PART OR AS A WHOLE WITHOUT THE WRITTEN PERMISSION OF MONARCH METAL FABRICATION IS PROHIBITED.

MATERIAL
 Aluminum
 FINISH
 Mill
 DO NOT SCALE DRAWING

	NAME	DATE
DRAWN	RIKKI	06/11/19
CHECKED	CHRIS	



TITLE: ADAPTOR CLIP ON 1/2" PANEL		
SIZE A4	DWG. NO. EPS-050-ADAPT	REV A

SCALE: 1:1,1:2,1:4	WEIGHT: ≈ 0.418 lbs/ft	SHEET 1 OF 1
--------------------	------------------------	--------------