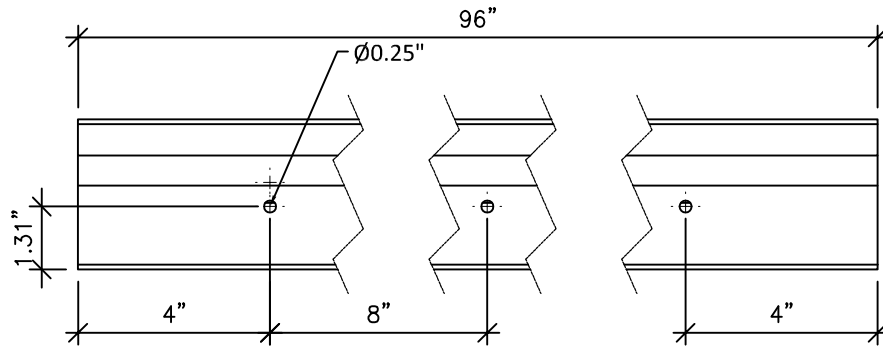


STAINLESS CLADDING SYSTEM
1.5" CLIP ENGAGED WITH 96" RAIL



SCALE: 1:4

PROPRIETARY AND CONFIDENTIAL

THE INFORMATION CONTAINED IN THIS DRAWING IS THE SOLE PROPERTY OF MONARCH METAL FABRICATION. ANY REPRODUCTION IN PART OR AS A WHOLE WITHOUT THE WRITTEN PERMISSION OF MONARCH METAL FABRICATION IS PROHIBITED.

MATERIAL
11 Ga. 304 Stainless
FINISH
-
DO NOT SCALE DRAWING

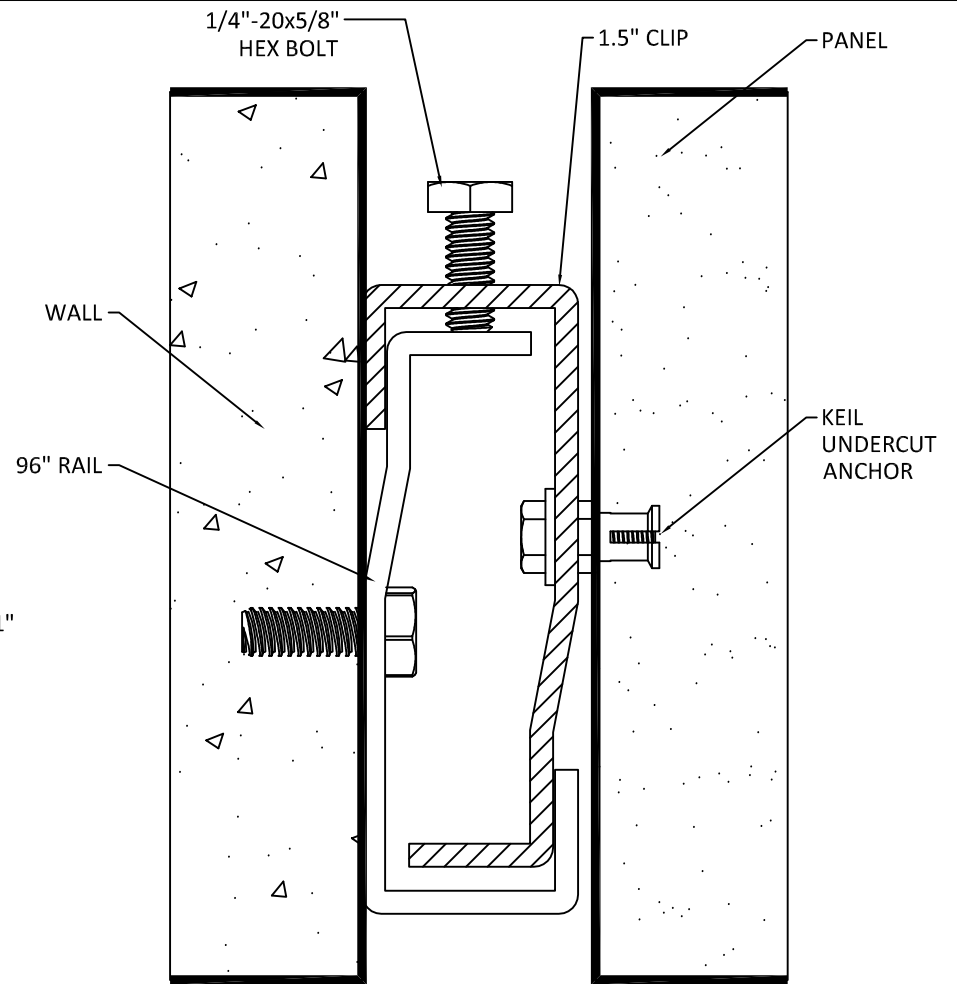
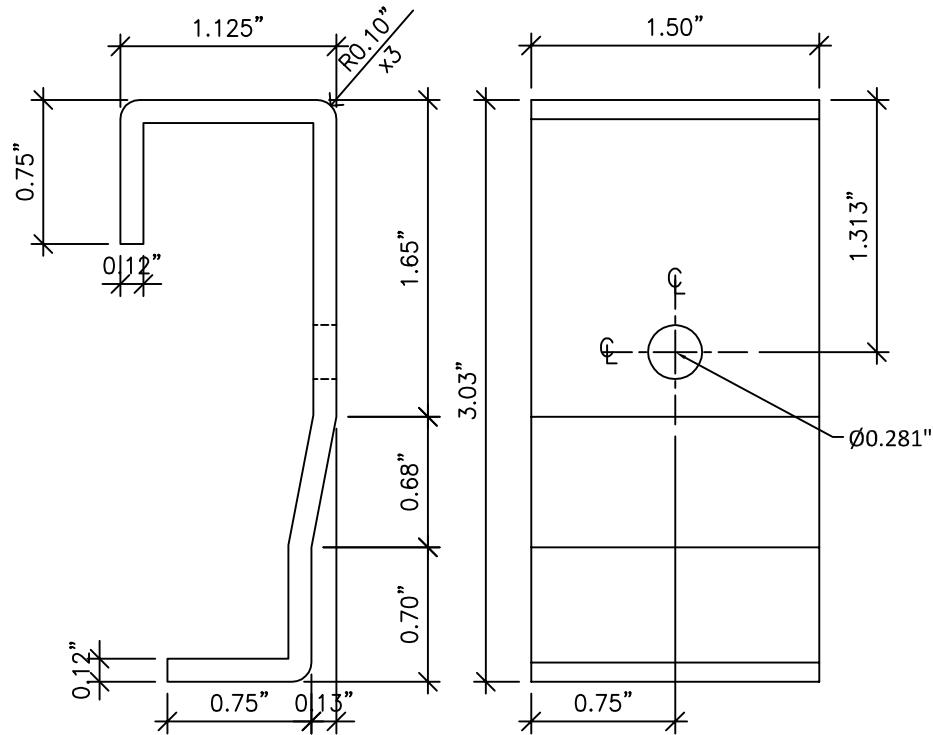
	NAME	DATE
DRAWN	GURU	04/19/19
CHECKED	BB	
COMMENTS:		
-		



TITLE:
MFSTR-SSXCLAD-96RAIL

SIZE	DWG. NO.	REV
A	MFSTR-SSXCLAD-96RAIL	A

SCALE: 1:1 WEIGHT: SHEET 1 OF 3



STAINLESS CLADDING SYSTEM
1.5\"/>



	NAME	DATE
DRAWN	GURU	04/19/19
CHECKED	BB	
COMMENTS:		
-		

TITLE:
MFSTR-SSXCLAD-1.5FIX

PROPRIETARY AND CONFIDENTIAL THE INFORMATION CONTAINED IN THIS DRAWING IS THE SOLE PROPERTY OF MONARCH METAL FABRICATION. ANY REPRODUCTION IN PART OR AS A WHOLE WITHOUT THE WRITTEN PERMISSION OF MONARCH METAL FABRICATION IS PROHIBITED.	MATERIAL
	11 Ga. 304 Stainless
	FINISH
-	DO NOT SCALE DRAWING

SIZE	DWG. NO.	REV
A	MFSTR-SSXCLAD-1.5FIX	A
SCALE: 1:1	WEIGHT:	SHEET 2 OF 3

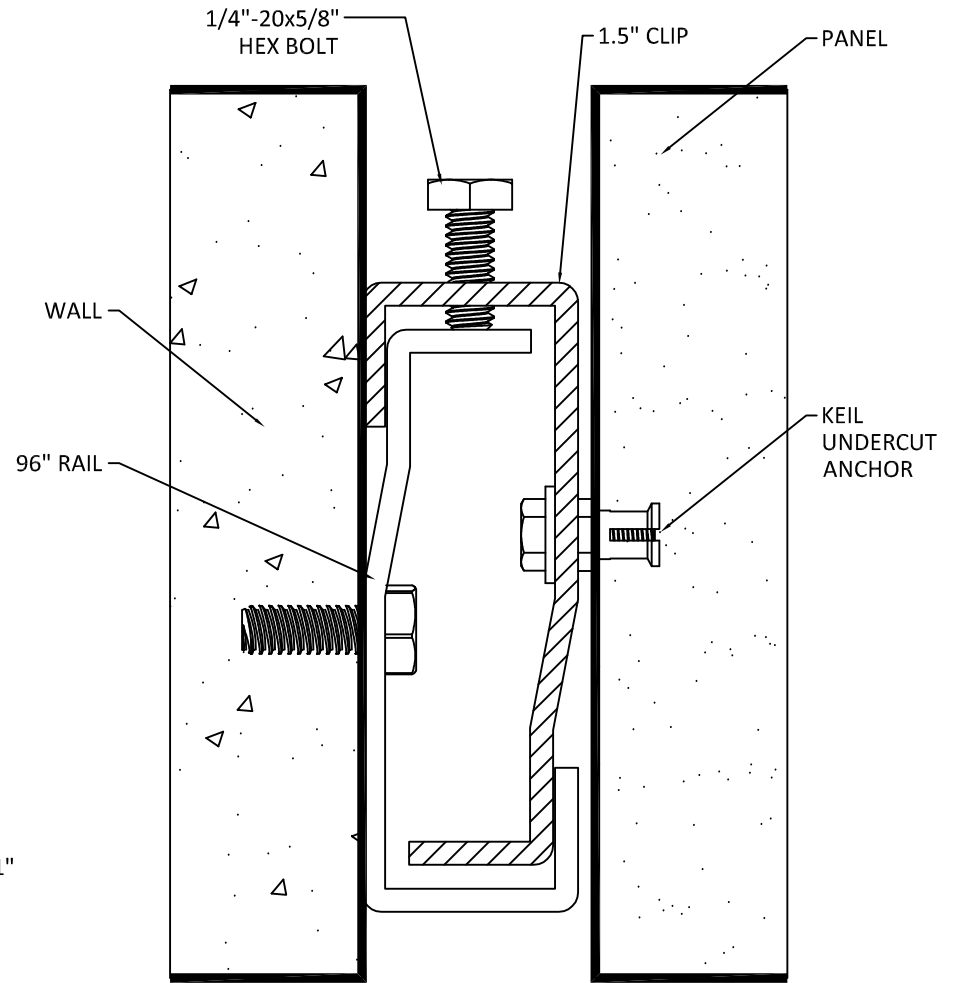
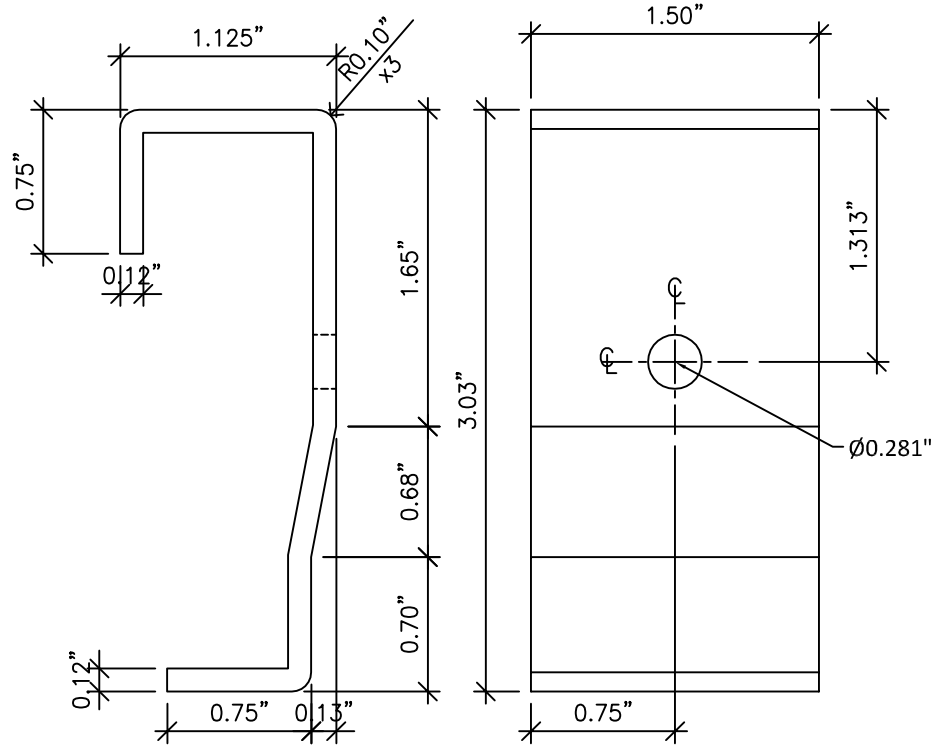
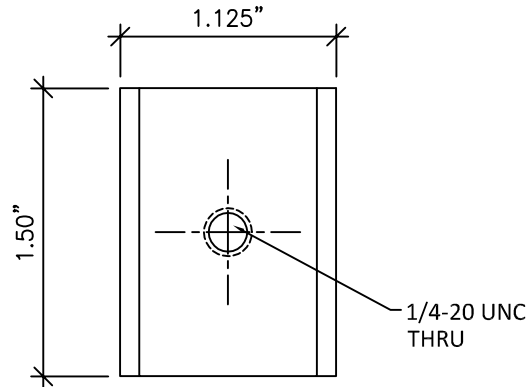
5

4

3

2

1



STAINLESS CLADDING SYSTEM
1.5" CLIP ENGAGED WITH 96" RAIL



	NAME	DATE
DRAWN	GURU	04/19/19
CHECKED	BB	
COMMENTS:	-	

TITLE:
MFSTR-SSXCLAD-1.5ADJ

PROPRIETARY AND CONFIDENTIAL
THE INFORMATION CONTAINED IN THIS DRAWING IS THE SOLE PROPERTY OF MONARCH METAL FABRICATION. ANY REPRODUCTION IN PART OR AS A WHOLE WITHOUT THE WRITTEN PERMISSION OF MONARCH METAL FABRICATION IS PROHIBITED.

MATERIAL
11 Ga. 304 Stainless
FINISH
-
DO NOT SCALE DRAWING

SIZE	DWG. NO.	REV
A	MFSTR-SSXCLAD-1.5ADJ	A

SCALE: 1:1 | WEIGHT: | SHEET 3 OF 3