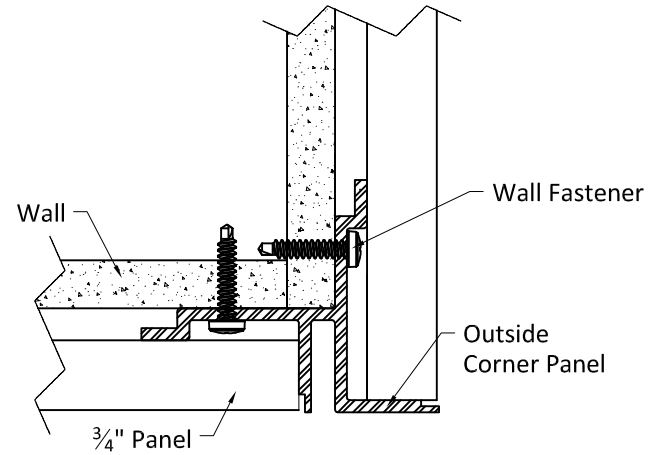
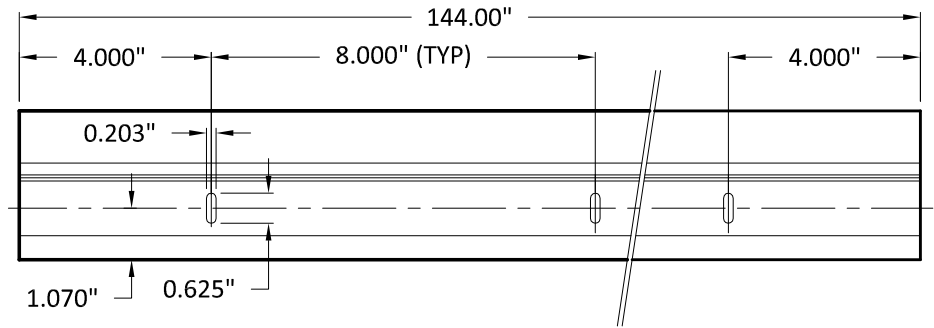


SCALE 1:1



SCALE 1:2



SCALE 1:4

PROPRIETARY AND CONFIDENTIAL
 THE INFORMATION CONTAINED IN THIS DRAWING IS THE SOLE PROPERTY OF MONARCH METAL FABRICATION. ANY REPRODUCTION IN PART OR AS A WHOLE WITHOUT THE WRITTEN PERMISSION OF MONARCH METAL FABRICATION IS PROHIBITED.

MATERIAL
 6063-T6 Aluminum
 FINISH
 Clear Anodized
 DO NOT SCALE DRAWING

	NAME	DATE	TITLE: EPS-OC075-SP25
DRAWN	GURU	9/12/17	
CHECKED	CHRIS		

MONARCH
METAL FABRICATION

SIZE A4	DWG. NO.	REV -
SCALE: 1:1,1:2,1:4		WEIGHT: 0.970 lb/ft
		SHEET 1 OF 1