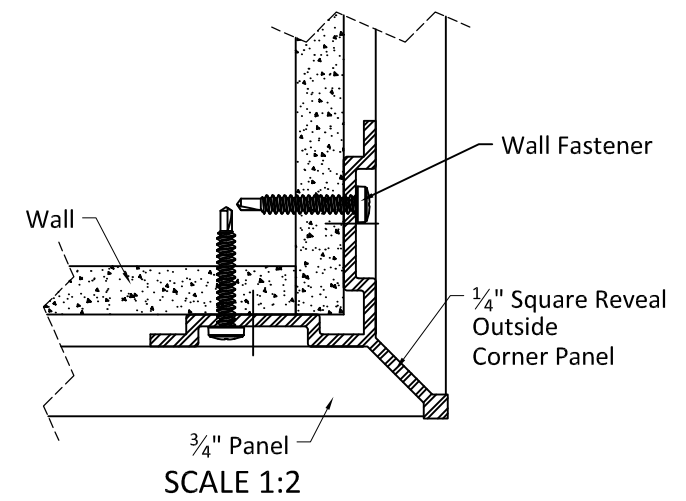
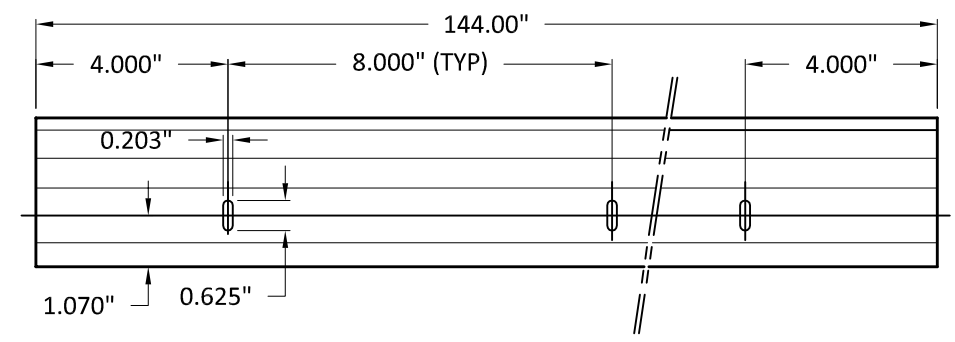


SCALE 1:1



SCALE 1:2



SCALE 1:4

PROPRIETARY AND CONFIDENTIAL  
 THE INFORMATION CONTAINED IN THIS DRAWING IS THE SOLE PROPERTY OF MONARCH METAL FABRICATION. ANY REPRODUCTION IN PART OR AS A WHOLE WITHOUT THE WRITTEN PERMISSION OF MONARCH METAL FABRICATION IS PROHIBITED.

MATERIAL  
 Aluminum  
 FINISH  
 Clear Anodized  
 DO NOT SCALE DRAWING

DRAWN	NAME	DATE
CHECKED	GURU	11/09/18
	CHRIS	



TITLE: 0.25"X0.25" Square Reveal for 0.75" Panel	
SIZE: A4	DWG. NO. EPS-OC075-SM
SCALE: 1:1,1:2,1:4	REV: A
WEIGHT: ≈ 0.983 lbs/ft	SHEET 1 OF 1