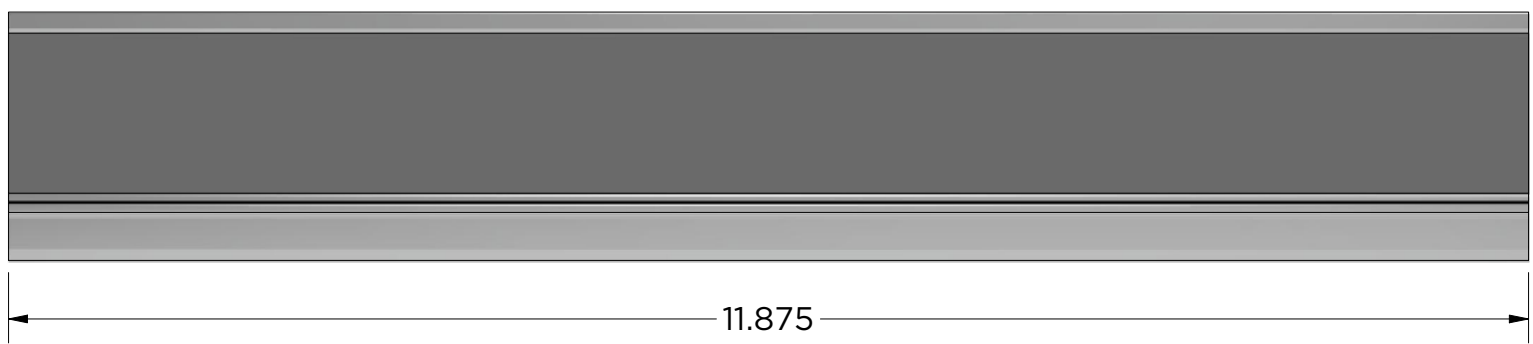
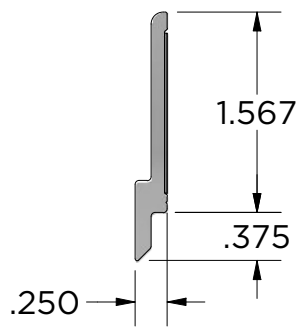
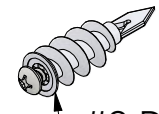


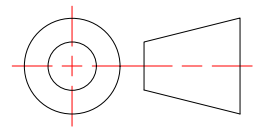
MF375H4-12 Rail x 2



MFTAPE-S-12 x 2



#8 Drywall Anchor with Screw x 4



<b>Created By:</b> amh	<b>Approved By:</b>	<b>Sheet Size</b> A	<b>Sheet No.</b> 1/4
<b>Creation Date:</b> 5/1/2025	<b>Approval Date:</b>	<b>Scale</b> 1:1	<b>Rev</b>

**MFTAPE-S-12Kit**

Weight: 0.220 lbmass  
Aluminum 6063  
Finish: Mill

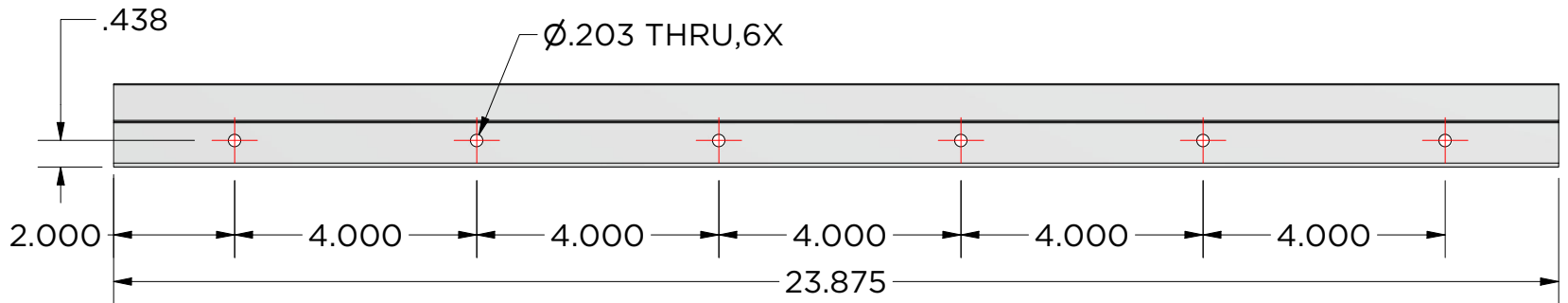
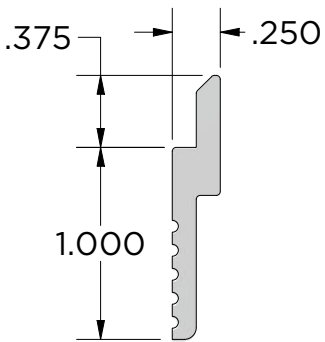


**MONARCH**  
METAL INC.

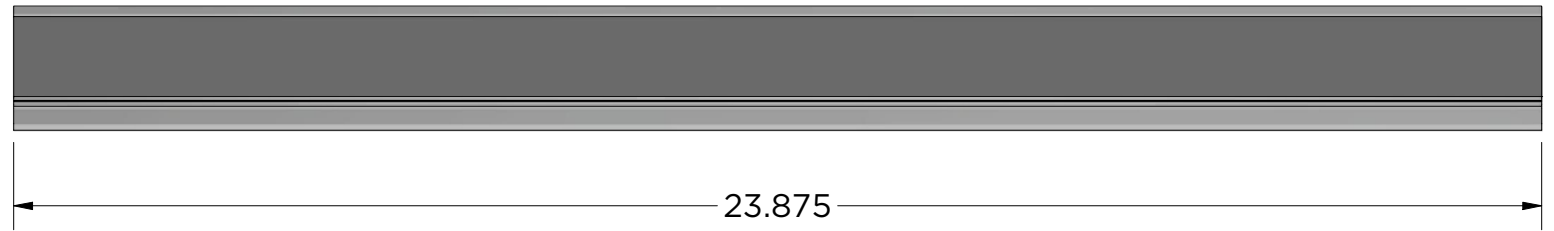
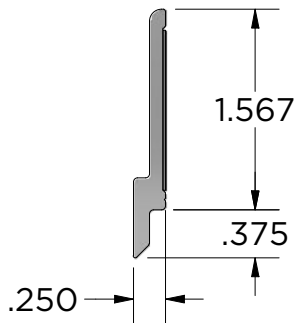
**PROPRIETARY AND CONFIDENTIAL**  
THE INFORMATION CONTAINED IN THIS DRAWING IS THE SOLE PROPERTY OF MONARCH METAL FABRICATION. ANY REPRODUCTION IN PART OR AS A WHOLE WITHOUT THE WRITTEN PERMISSION OF MONARCH METAL INC. IS PROHIBITED.

**New York** 1700 Ocean Ave Suite 2 Ronkonkoma NY 11779 Phone: (631) 750-3000  
**Nevada** 1080 Linda Way, Unit 10 Sparks, NV 89431 Phone: (775) 415-0100  
**Texas** 1330 Post & Paddock St., Suite 800 Grand Prairie, TX 75050 (945) 202-2700

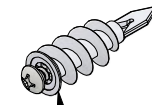
monarchmetal.com



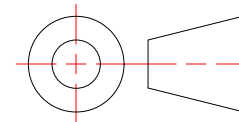
MF375H4-24 Rail x 2



MFTAPE-S-24 x 2



#8 Drywall Anchor with Screw x 6



<b>Created By:</b> amh	<b>Approved By:</b>	<b>Sheet Size</b> A	<b>Sheet No.</b> 2/4
<b>Creation Date:</b> 5/1/2025	<b>Approval Date:</b>	<b>Scale</b> 1:1	<b>Rev</b>

**MFTAPE-S-24Kit**

Weight: 0.442 lbmass  
Aluminum 6063  
Finish: Mill



**MONARCH**  
METAL INC.

**PROPRIETARY AND CONFIDENTIAL**

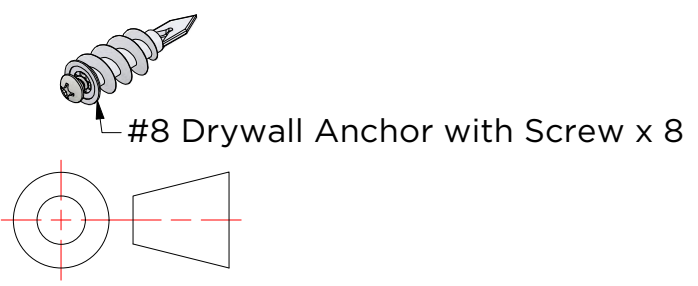
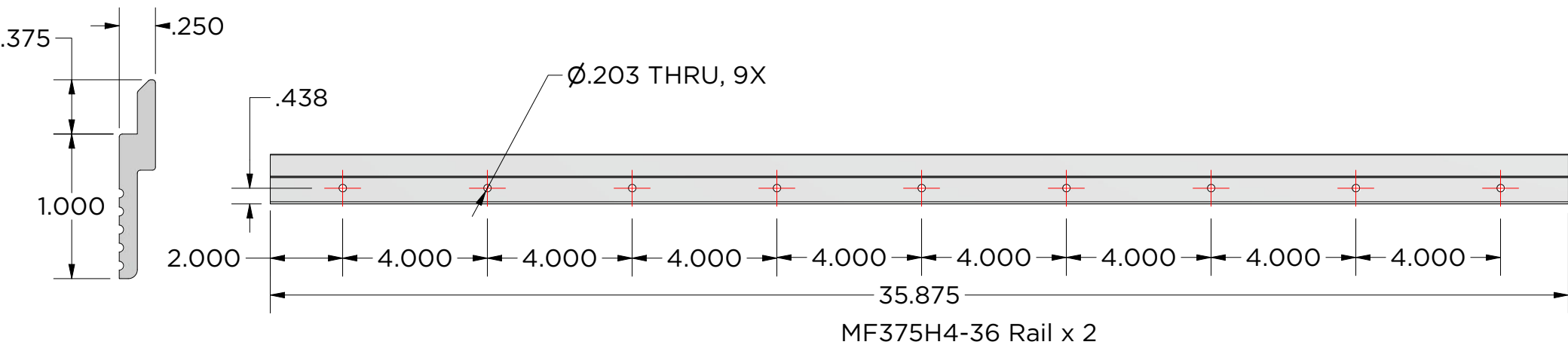
THE INFORMATION CONTAINED IN THIS DRAWING IS THE SOLE PROPERTY OF MONARCH METAL FABRICATION. ANY REPRODUCTION IN PART OR AS A WHOLE WITHOUT THE WRITTEN PERMISSION OF MONARCH METAL INC. IS PROHIBITED.

**New York**  
1700 Ocean Ave Suite 2  
Ronkonkoma NY 11779  
Phone: (631) 750-3000

**Nevada**  
1080 Linda Way, Unit 10  
Sparks, NV 89431  
Phone: (775) 415-0100

**Texas**  
1330 Post & Paddock St.,  
Suite 800  
Grand Prairie, TX 75050  
(945) 202-2700

monarchmetal.com



<b>Created By:</b> amh	<b>Approved By:</b>	<b>Sheet Size</b> A	<b>Sheet No.</b> 3/4
<b>Creation Date:</b> 5/1/2025	<b>Approval Date:</b>	<b>Scale</b> 1:1	<b>Rev</b>

**MFTAPE-S-36Kit**  
 Weight: 0.665 lbmass  
 Aluminum 6063  
 Finish: Mill

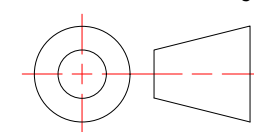
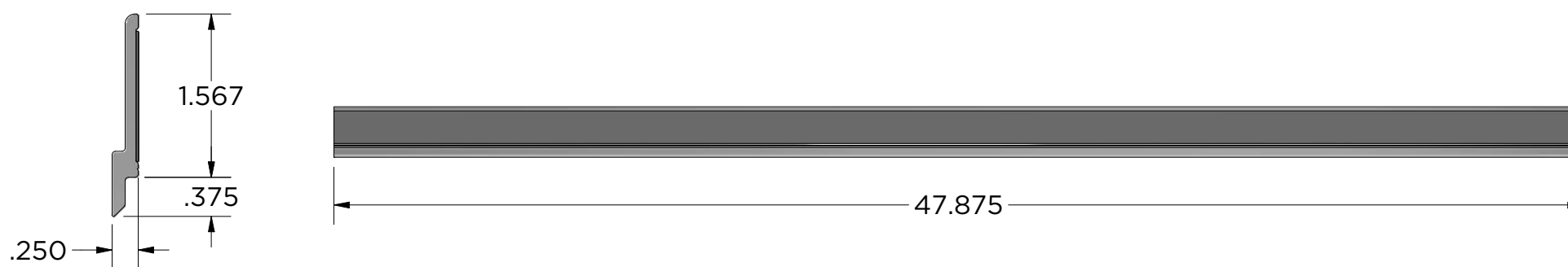
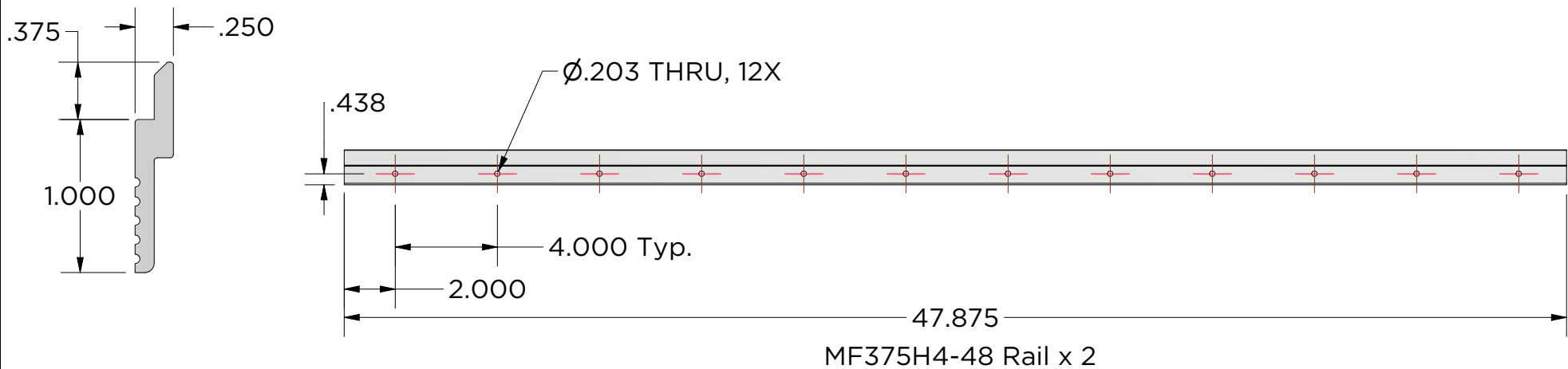


**MONARCH**  
METAL INC.

**PROPRIETARY AND CONFIDENTIAL**  
 THE INFORMATION CONTAINED IN THIS DRAWING IS THE SOLE PROPERTY OF MONARCH METAL FABRICATION. ANY REPRODUCTION IN PART OR AS A WHOLE WITHOUT THE WRITTEN PERMISSION OF MONARCH METAL INC. IS PROHIBITED.

**New York** 1700 Ocean Ave Suite 2 Ronkonkoma NY 11779 Phone: (631) 750-3000  
**Nevada** 1080 Linda Way, Unit 10 Sparks, NV 89431 Phone: (775) 415-0100  
**Texas** 1330 Post & Paddock St., Suite 800 Grand Prairie, TX 75050 (945) 202-2700

monarchmetal.com



<b>Created By:</b> amh	<b>Approved By:</b>	<b>Sheet Size</b> A	<b>Sheet No.</b> 4/4
<b>Creation Date:</b> 5/1/2025	<b>Approval Date:</b>	<b>Scale</b> 1:1	<b>Rev</b>

**MFTAPE-S-48Kit**

Weight: 0.887 lbmass  
 Aluminum 6063  
 Finish: Mill



**MONARCH**  
 METAL INC.

**PROPRIETARY AND CONFIDENTIAL**  
 THE INFORMATION CONTAINED IN THIS DRAWING IS THE SOLE PROPERTY OF MONARCH METAL FABRICATION. ANY REPRODUCTION IN PART OR AS A WHOLE WITHOUT THE WRITTEN PERMISSION OF MONARCH METAL INC. IS PROHIBITED.

**New York** 1700 Ocean Ave Suite 2 Ronkonkoma NY 11779 Phone: (631) 750-3000  
**Nevada** 1080 Linda Way, Unit 10 Sparks, NV 89431 Phone: (775) 415-0100  
**Texas** 1330 Post & Paddock St., Suite 800 Grand Prairie, TX 75050 (945) 202-2700

monarchmetal.com