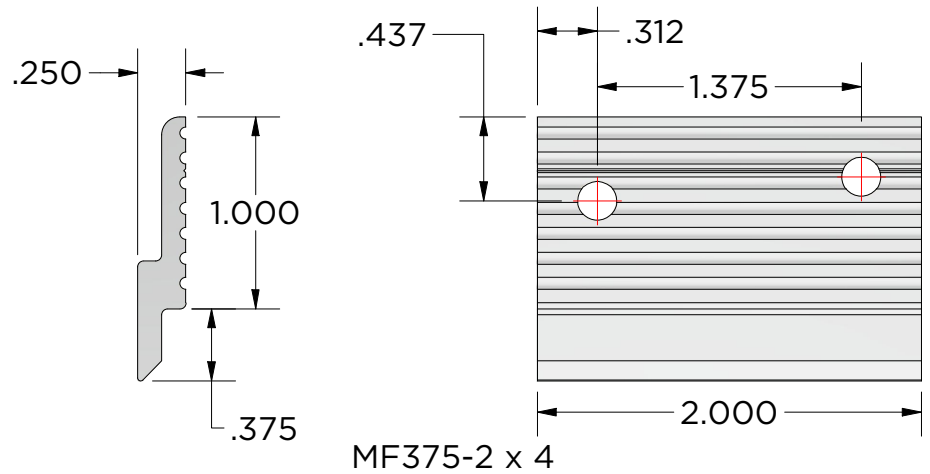
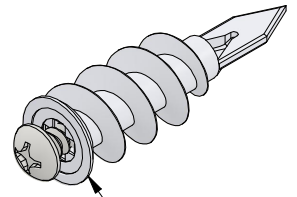
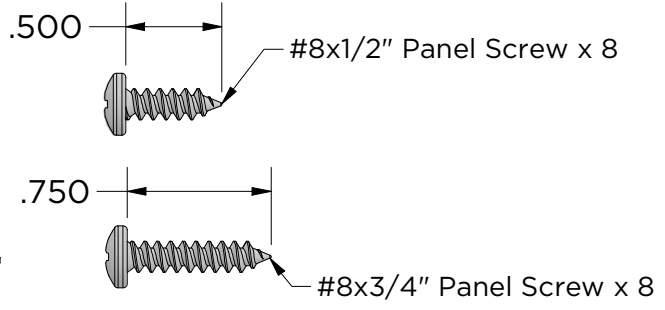


MF375H4-12 Rail x 2

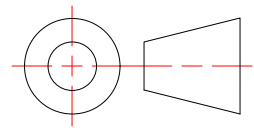


MF375-2 x 4



#8 Drywall Anchor with Screw x 4

Created By: amh	Approved By: amh	Sheet Size A	Sheet No. 1/1
Creation Date: 2/27/2024	Approval Date: 2/27/2024	Scale 1:1	Rev



MF375H4-12Kit

Weight: 0.220 lbmass
Aluminum 6063
Finish: Mill

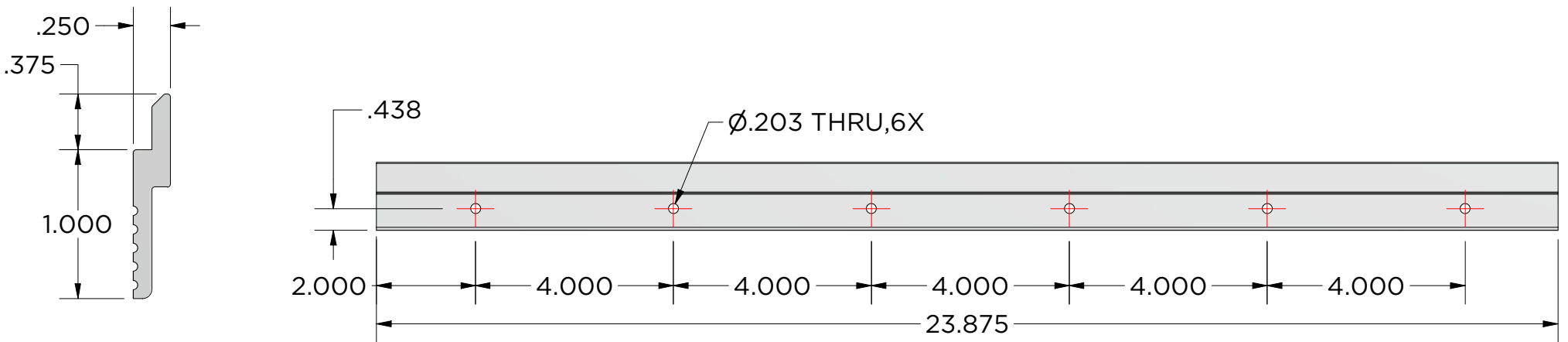


MONARCH
METAL INC.

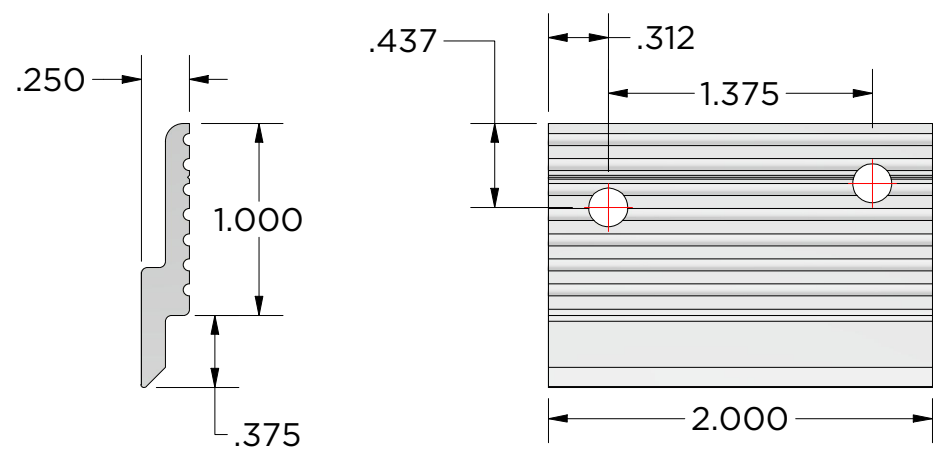
PROPRIETARY AND CONFIDENTIAL
THE INFORMATION CONTAINED IN THIS DRAWING IS THE SOLE PROPERTY OF MONARCH METAL FABRICATION. ANY REPRODUCTION IN PART OR AS A WHOLE WITHOUT THE WRITTEN PERMISSION OF MONARCH METAL INC. IS PROHIBITED.

New York 1700 Ocean Ave Suite 2 Ronkonkoma NY 11779 Phone: (631) 750-3000
Nevada 1080 Linda Way, Unit 10 Sparks, NV 89431 Phone: (775) 415-0100
Texas 1330 Post & Paddock St., Suite 800 Grand Prairie, TX 75050 (945) 202-2700

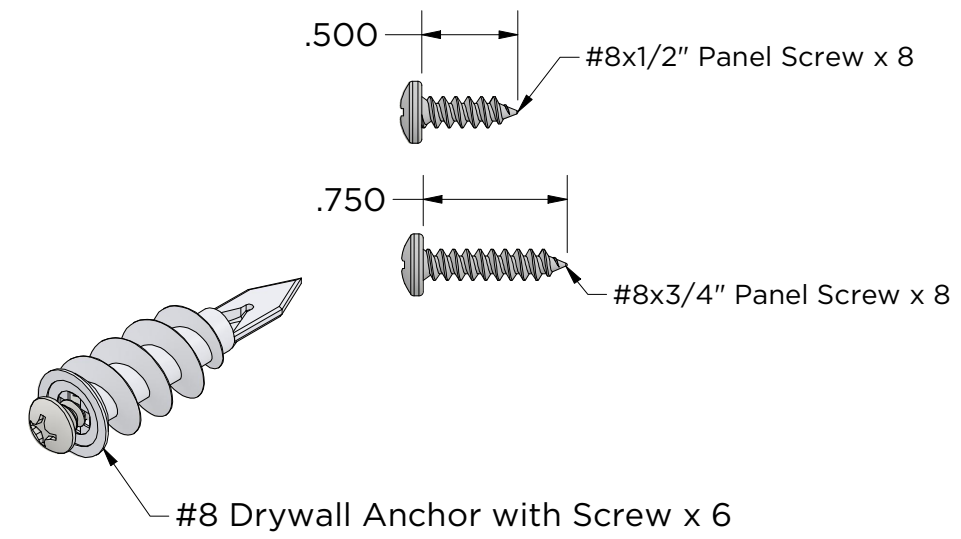
monarchmetal.com



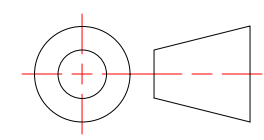
MF375H4-24 Rail x 2



MF375-2 x 4



Created By: amh	Approved By: amh	Sheet Size A	Sheet No. 1/1
Creation Date: 9/7/2023	Approval Date: 2/27/2024	Scale 1:1	Rev



MF375H4-24Kit

 Weight: 0.442 lbmass
 Aluminum 6063
 Finish: Mill

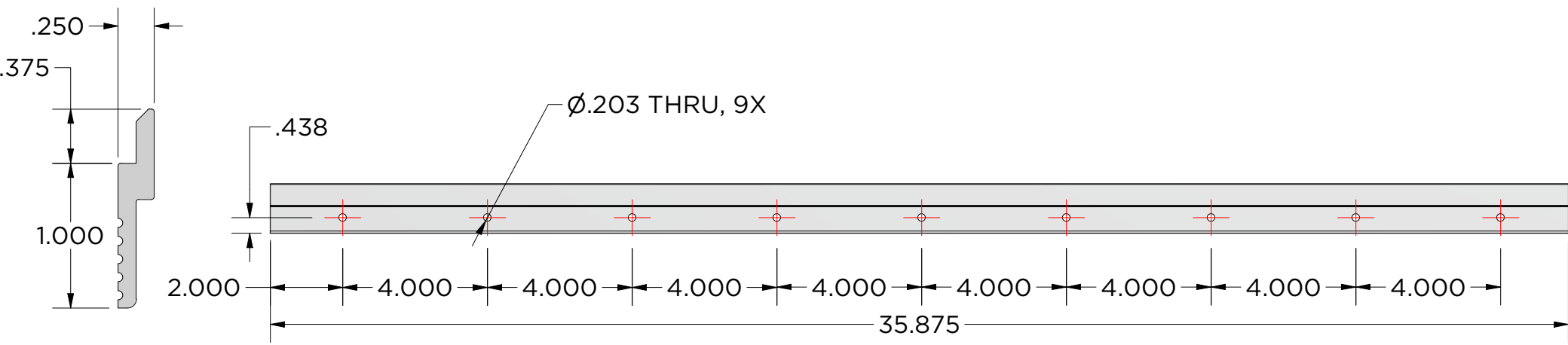


MONARCH
METAL INC.

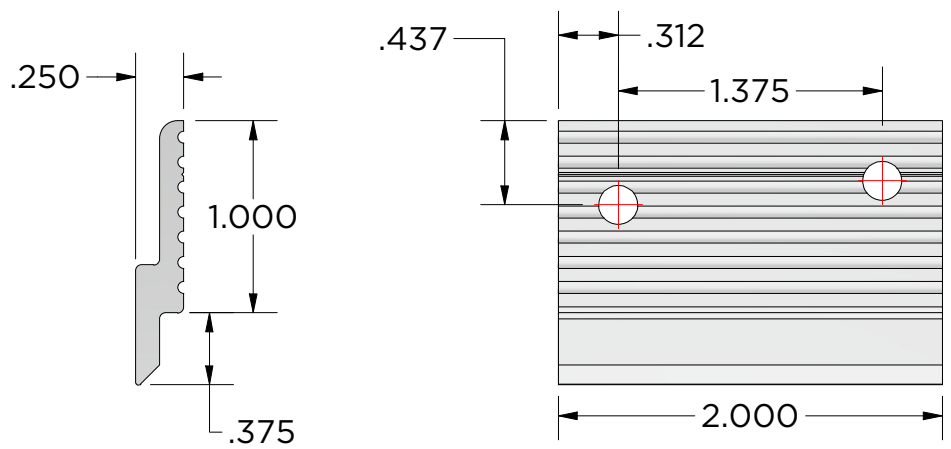
PROPRIETARY AND CONFIDENTIAL
 THE INFORMATION CONTAINED IN THIS DRAWING IS THE SOLE PROPERTY OF MONARCH METAL FABRICATION. ANY REPRODUCTION IN PART OR AS A WHOLE WITHOUT THE WRITTEN PERMISSION OF MONARCH METAL INC. IS PROHIBITED.

New York 1700 Ocean Ave Suite 2 Ronkonkoma NY 11779 Phone: (631) 750-3000
Nevada 1080 Linda Way, Unit 10 Sparks, NV 89431 Phone: (775) 415-0100
Texas 1330 Post & Paddock St., Suite 800 Grand Prairie, TX 75050 (945) 202-2700

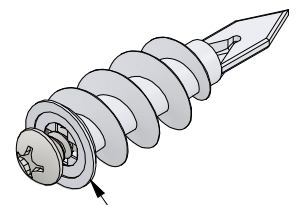
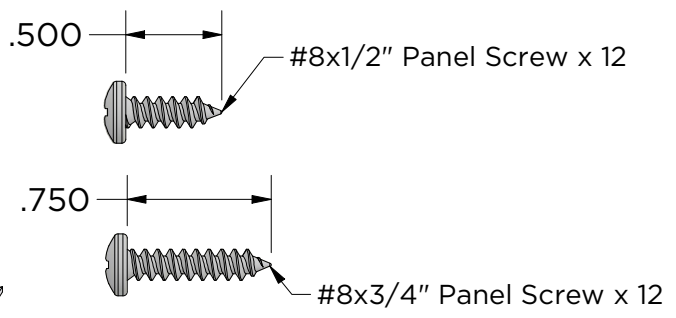
monarchmetal.com



MF375H4-36 Rail x 2

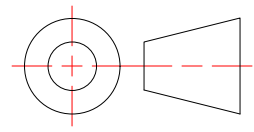


MF375-2 x 6



#8 Drywall Anchor with Screw x 8

Created By: amh	Approved By: amh	Sheet Size A	Sheet No. 1/1
Creation Date: 9/7/2023	Approval Date: 2/27/2024	Scale 1:1	Rev



MF375H4-36Kit
 Weight: 0.665 lbmass
 Aluminum 6063
 Finish: Mill

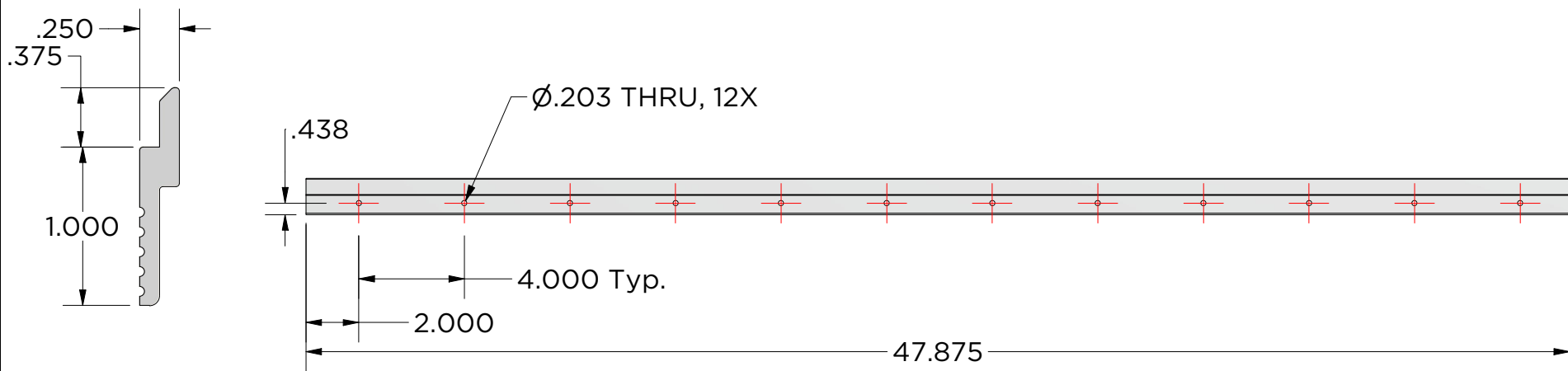


MONARCH
 METAL INC.

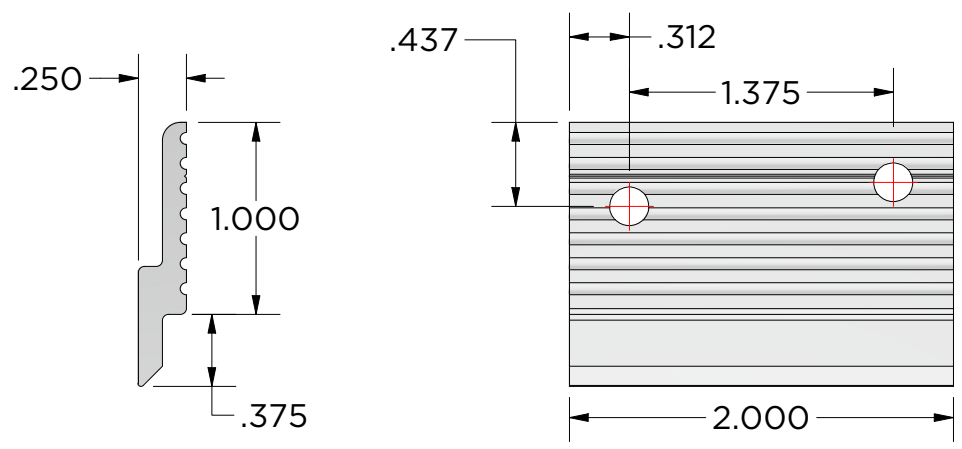
PROPRIETARY AND CONFIDENTIAL
 THE INFORMATION CONTAINED IN THIS DRAWING IS THE SOLE PROPERTY OF MONARCH METAL FABRICATION. ANY REPRODUCTION IN PART OR AS A WHOLE WITHOUT THE WRITTEN PERMISSION OF MONARCH METAL INC. IS PROHIBITED.

New York 1700 Ocean Ave Suite 2 Ronkonkoma NY 11779 Phone: (631) 750-3000
Nevada 1080 Linda Way, Unit 10 Sparks, NV 89431 Phone: (775) 415-0100
Texas 1330 Post & Paddock St., Suite 800 Grand Prairie, TX 75050 (945) 202-2700

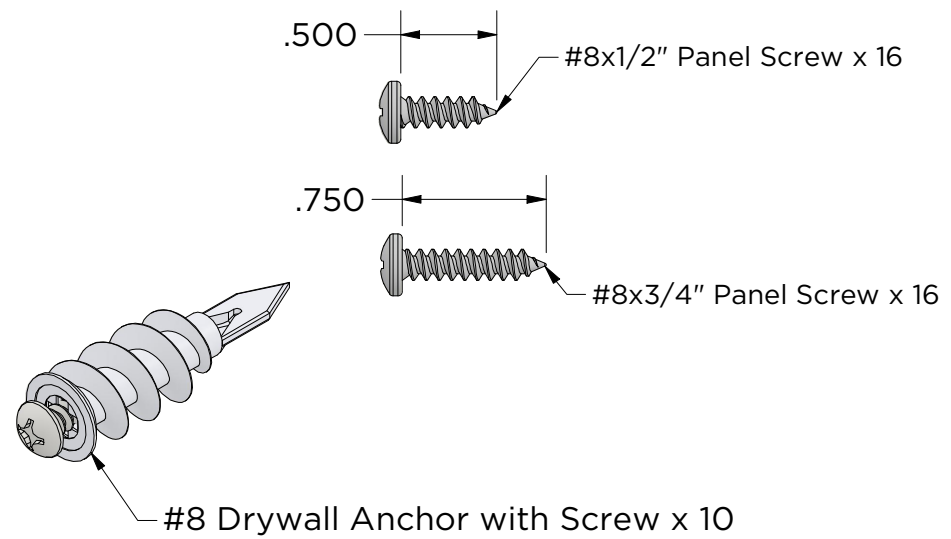
monarchmetal.com



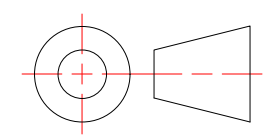
MF375H4-48 Rail x 2



MF375-2 x 8



Created By: amh	Approved By: amh	Sheet Size A	Sheet No. 1/1
Creation Date: 9/7/2023	Approval Date: 2/27/2024	Scale 1:1	Rev



MF375H4-48Kit

Weight: 0.887 lbmass
Aluminum 6063
Finish: Mill



MONARCH
METAL INC.

PROPRIETARY AND CONFIDENTIAL
THE INFORMATION CONTAINED IN THIS DRAWING IS THE SOLE PROPERTY OF MONARCH METAL FABRICATION. ANY REPRODUCTION IN PART OR AS A WHOLE WITHOUT THE WRITTEN PERMISSION OF MONARCH METAL INC. IS PROHIBITED.

New York 1700 Ocean Ave Suite 2 Ronkonkoma NY 11779 Phone: (631) 750-3000
Nevada 1080 Linda Way, Unit 10 Sparks, NV 89431 Phone: (775) 415-0100
Texas 1330 Post & Paddock St., Suite 800 Grand Prairie, TX 75050 (945) 202-2700

monarchmetal.com