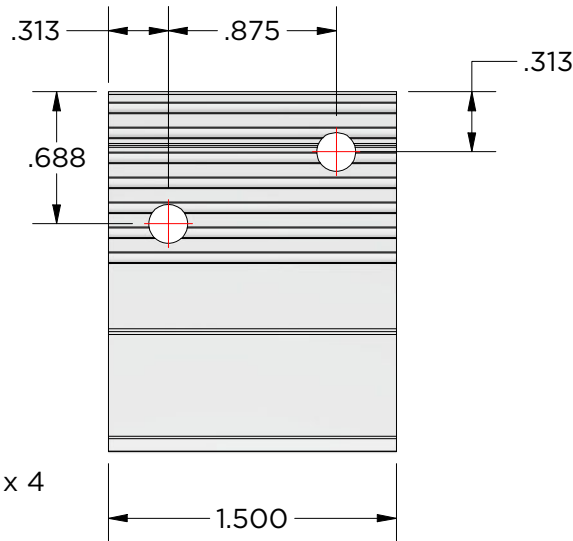
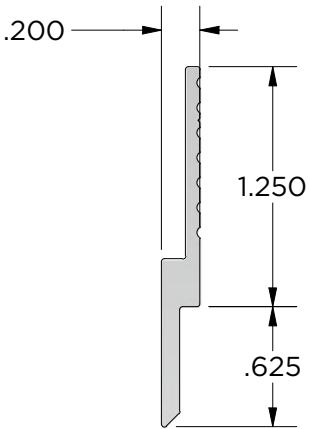
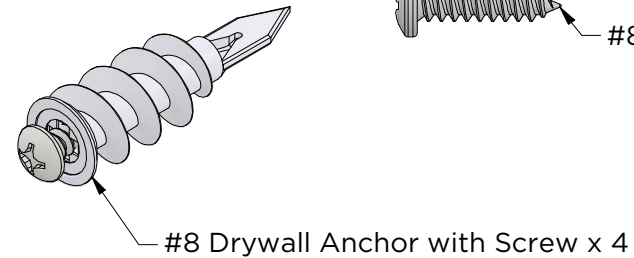
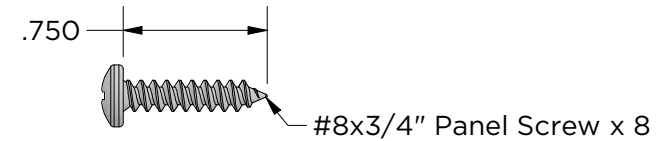
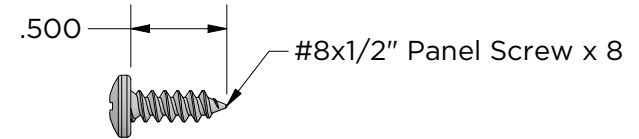


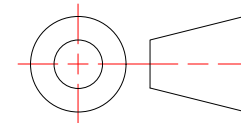
MF625H4-12 Rail x 2



MF625-2 x 4



Created By: amh	Approved By:	Sheet Size A	Sheet No. 1/4
Creation Date: 10/15/2025	Approval Date:	Scale 1:1	Rev 1



MF625H4-12Kit

Weight: 0.205 lbmass
Aluminum 6063
Finish: Mill



MONARCH
METAL INC.

PROPRIETARY AND CONFIDENTIAL

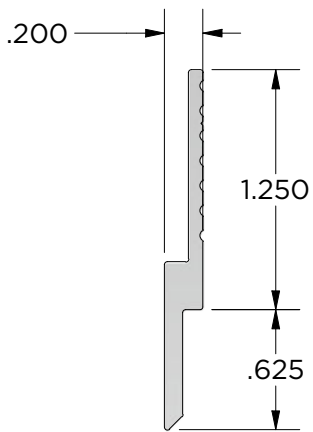
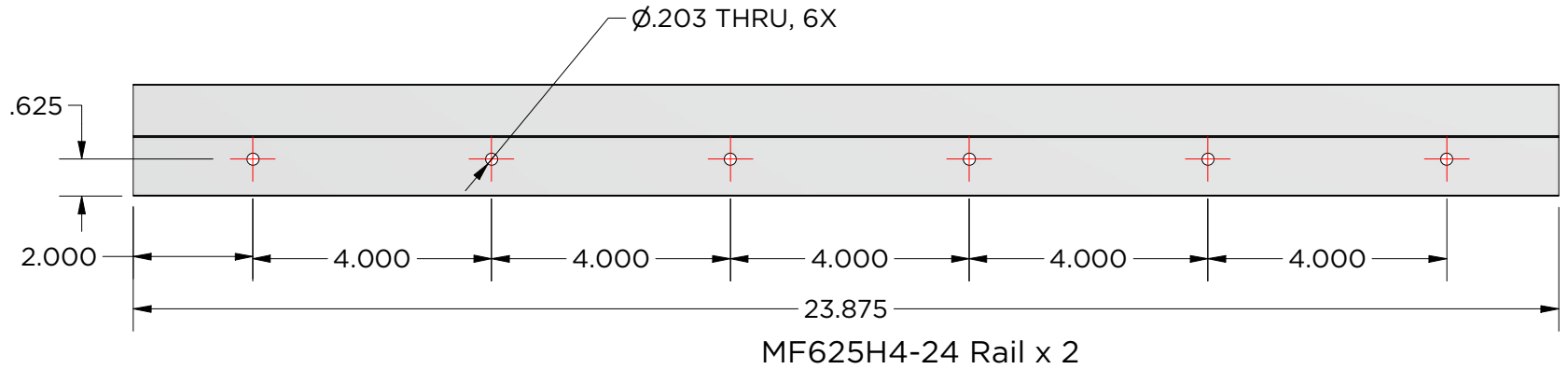
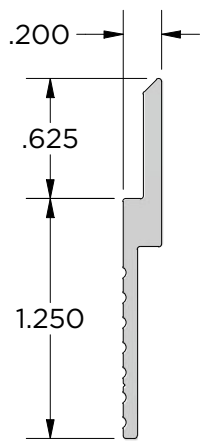
THE INFORMATION CONTAINED IN THIS DRAWING IS THE SOLE PROPERTY OF MONARCH METAL FABRICATION. ANY REPRODUCTION IN PART OR AS A WHOLE WITHOUT THE WRITTEN PERMISSION OF MONARCH METAL INC. IS PROHIBITED.

New York
1700 Ocean Ave Suite 2
Ronkonkoma NY 11779
Phone: (631) 750-3000

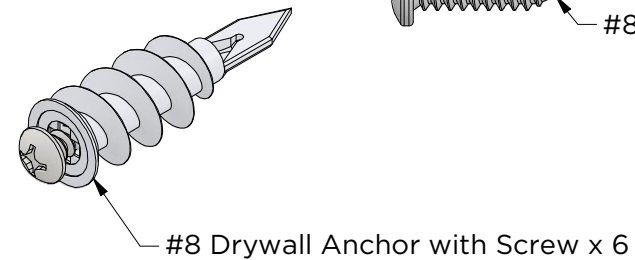
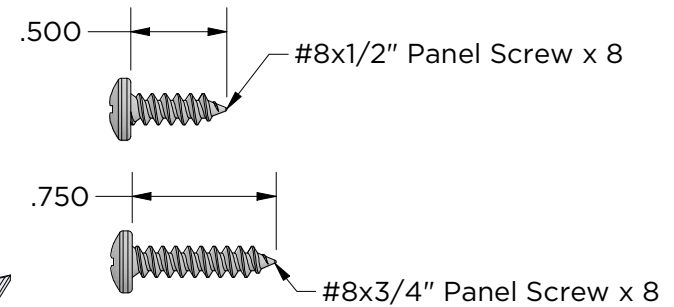
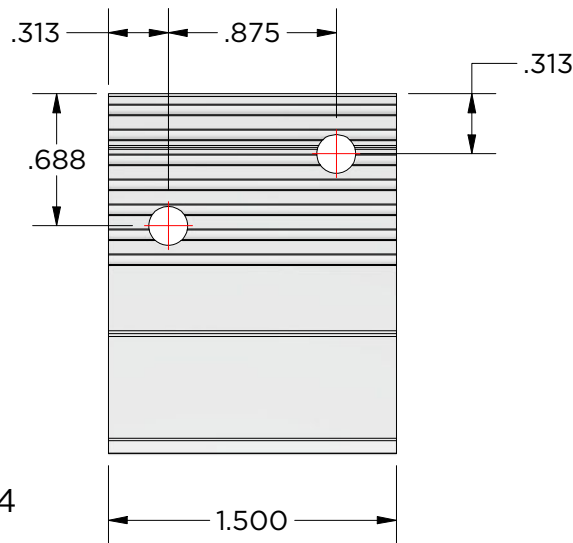
Nevada
1080 Linda Way, Unit 10
Sparks, NV 89431
Phone: (775) 415-0100

Texas
1330 Post & Paddock St.,
Suite 800
Grand Prairie, TX 75050
(945) 202-2700

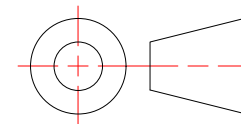
monarchmetal.com



MF625-2 x 4



Created By: amh	Approved By:	Sheet Size A	Sheet No. 2/4
Creation Date: 10/15/2025	Approval Date:	Scale 1:1	Rev 1



MF625H4-24Kit

Weight: 0.412 lbmass
Aluminum 6063
Finish: Mill

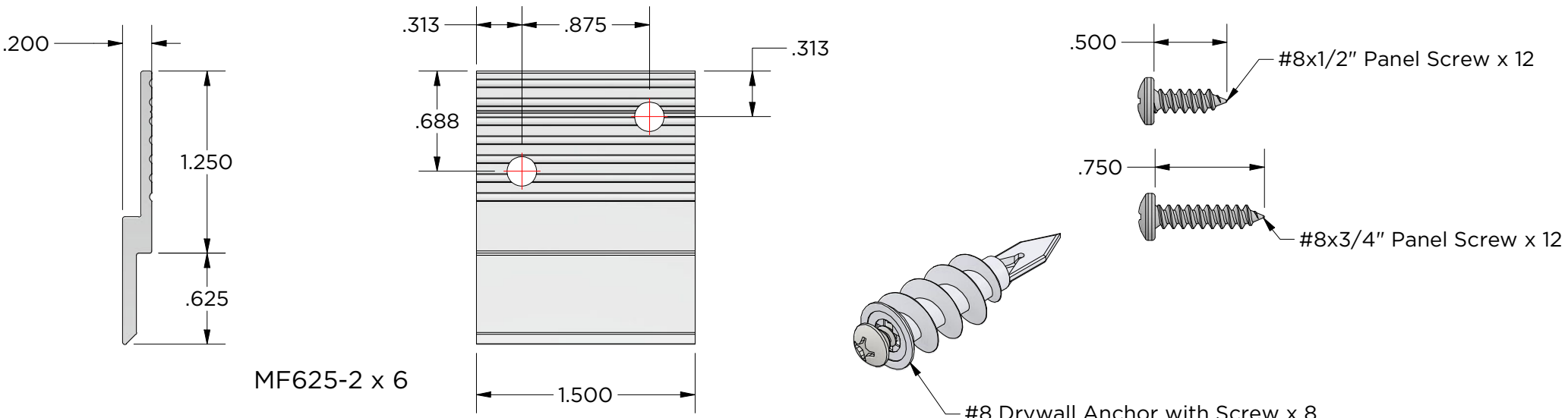
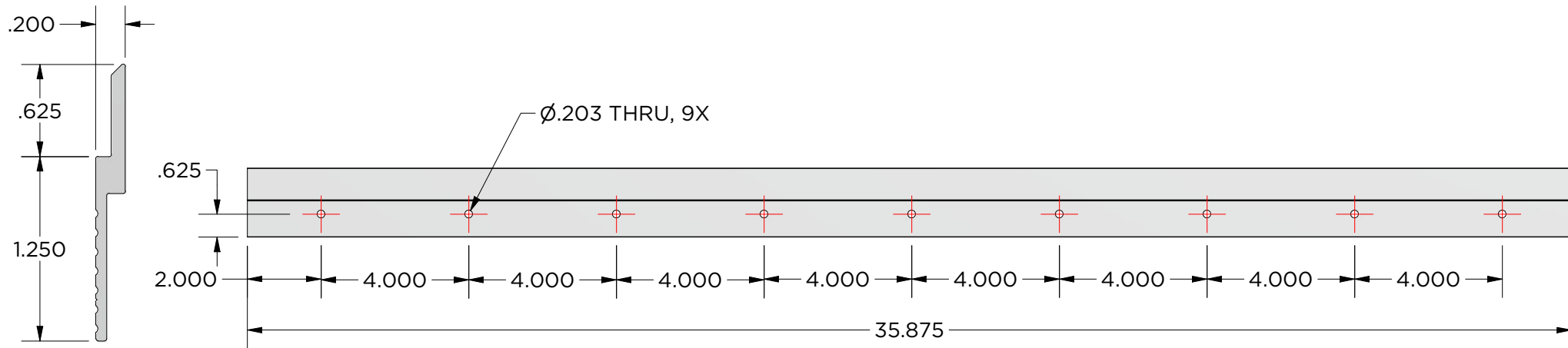


MONARCH
METAL INC.

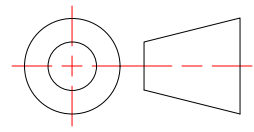
PROPRIETARY AND CONFIDENTIAL
THE INFORMATION CONTAINED IN THIS DRAWING IS THE SOLE PROPERTY OF MONARCH METAL FABRICATION. ANY REPRODUCTION IN PART OR AS A WHOLE WITHOUT THE WRITTEN PERMISSION OF MONARCH METAL INC. IS PROHIBITED.

New York 1700 Ocean Ave Suite 2 Ronkonkoma NY 11779 Phone: (631) 750-3000
Nevada 1080 Linda Way, Unit 10 Sparks, NV 89431 Phone: (775) 415-0100
Texas 1330 Post & Paddock St., Suite 800 Grand Prairie, TX 75050 (945) 202-2700

monarchmetal.com



Created By: amh	Approved By:	Sheet Size A	Sheet No. 3/4
Creation Date: 10/15/2025	Approval Date:	Scale 1:1	Rev 1



MF625H4-36Kit

Weight: 0.619 lbmass
Aluminum 6063
Finish: Mill

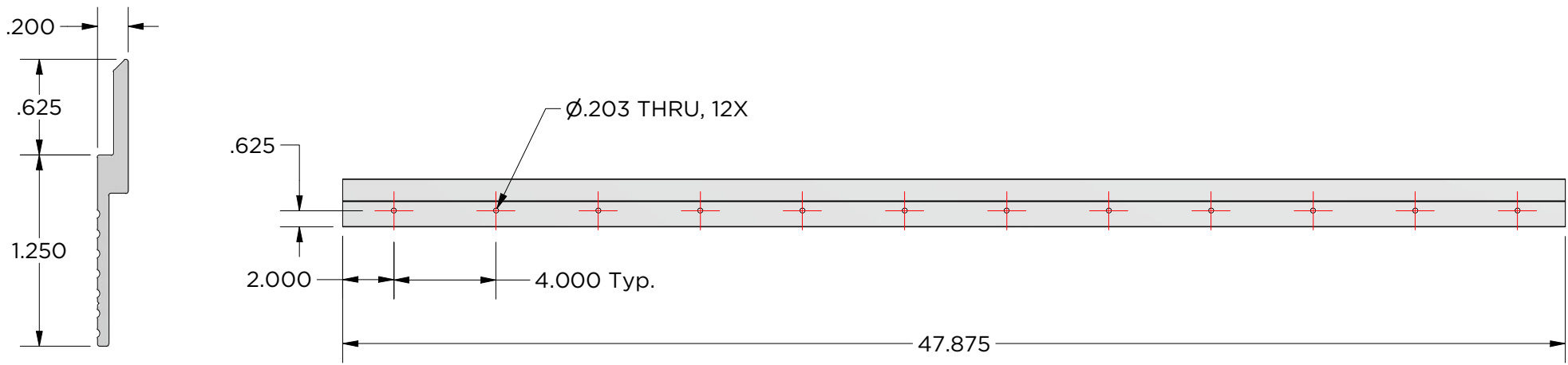


MONARCH
METAL INC.

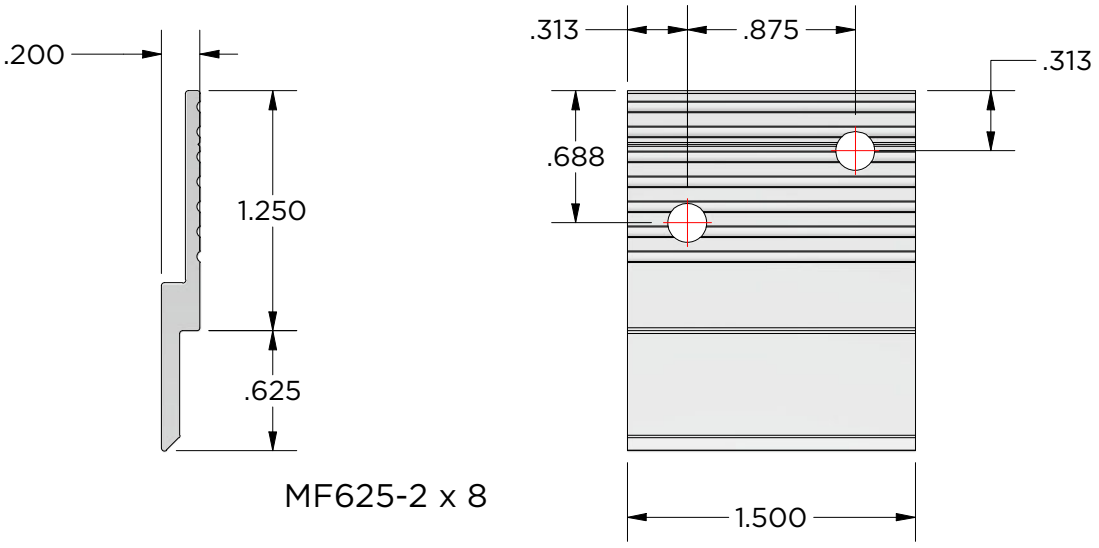
PROPRIETARY AND CONFIDENTIAL
THE INFORMATION CONTAINED IN THIS DRAWING IS THE SOLE PROPERTY OF MONARCH METAL FABRICATION. ANY REPRODUCTION IN PART OR AS A WHOLE WITHOUT THE WRITTEN PERMISSION OF MONARCH METAL INC. IS PROHIBITED.

New York 1700 Ocean Ave Suite 2 Ronkonkoma NY 11779 Phone: (631) 750-3000
Nevada 1080 Linda Way, Unit 10 Sparks, NV 89431 Phone: (775) 415-0100
Texas 1330 Post & Paddock St., Suite 800 Grand Prairie, TX 75050 (945) 202-2700

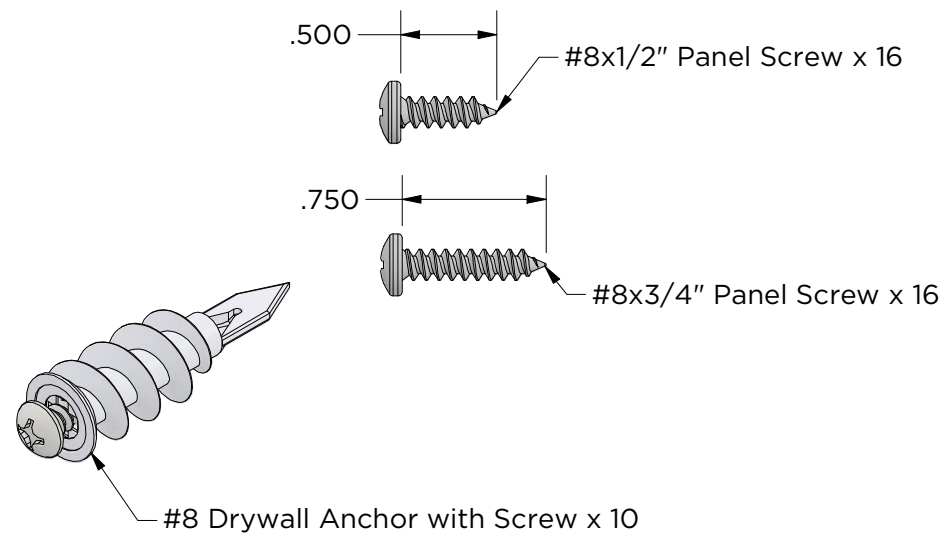
monarchmetal.com



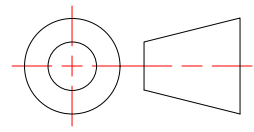
MF625H4-48 Rail x 2



MF625-2 x 8



Created By: amh	Approved By:	Sheet Size A	Sheet No. 4/4
Creation Date: 10/15/2025	Approval Date:	Scale 1:1	Rev 1



MF625H4-48Kit

Weight: 0.825 lbmass
Aluminum 6063
Finish: Mill



MONARCH
METAL INC.

PROPRIETARY AND CONFIDENTIAL
THE INFORMATION CONTAINED IN THIS DRAWING IS THE SOLE PROPERTY OF MONARCH METAL FABRICATION. ANY REPRODUCTION IN PART OR AS A WHOLE WITHOUT THE WRITTEN PERMISSION OF MONARCH METAL INC. IS PROHIBITED.

New York 1700 Ocean Ave Suite 2 Ronkonkoma NY 11779 Phone: (631) 750-3000
Nevada 1080 Linda Way, Unit 10 Sparks, NV 89431 Phone: (775) 415-0100
Texas 1330 Post & Paddock St., Suite 800 Grand Prairie, TX 75050 (945) 202-2700

monarchmetal.com