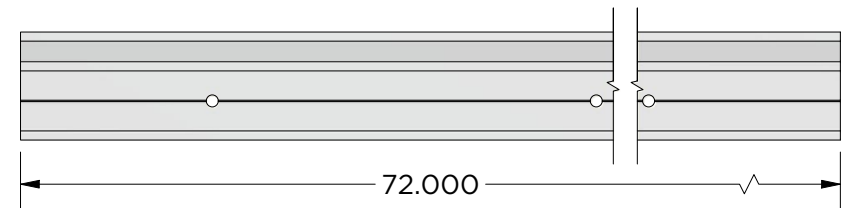
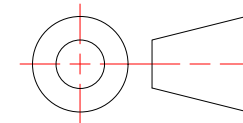


MFSTR-075-2



MFSTR-075-72H8, 144

<b>Created By:</b> AMH	<b>Approved By:</b> AMH	<b>Sheet Size</b> A	<b>Sheet No.</b> 1/9
<b>Creation Date:</b> 8/19/2022	<b>Approval Date:</b> 8/23/2022	<b>Scale</b> 1:1	<b>Rev</b> 1



**MFSTR-075 Assembly**

Clip and Continuous Rail, Compatible with 1/4" Diameter Fasteners. 5/8" Liftoff

Weight: 6.137 lbmass

Finish: Mill



**MONARCH**  
METAL INC.

**PROPRIETARY AND CONFIDENTIAL**

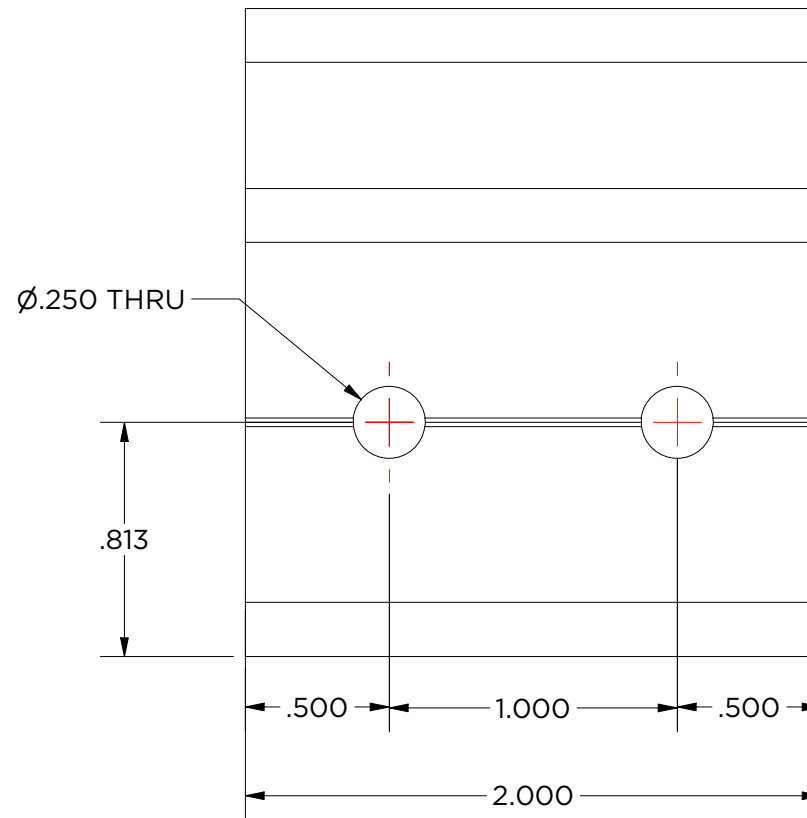
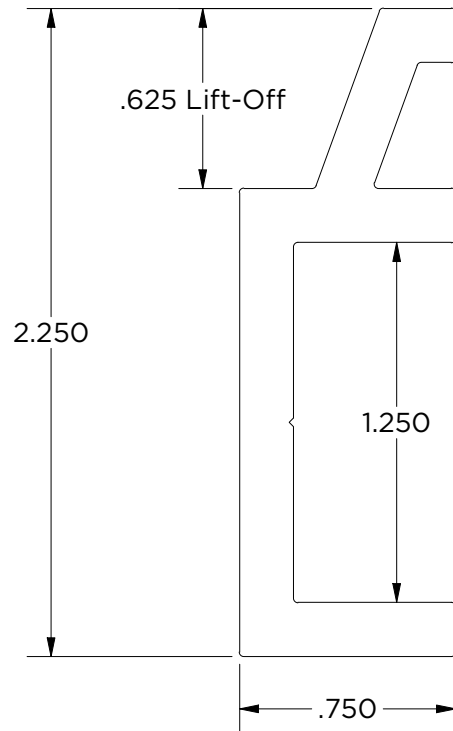
THE INFORMATION CONTAINED IN THIS DRAWING IS THE SOLE PROPERTY OF MONARCH METAL FABRICATION. ANY REPRODUCTION IN PART OR AS A WHOLE WITHOUT THE WRITTEN PERMISSION OF MONARCH METAL INC. IS PROHIBITED.

**New York**  
1700 Ocean Ave Suite 2  
Ronkonkoma NY 11779  
Phone: (631) 750-3000

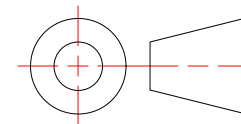
**Nevada**  
1080 Linda Way, Unit 10  
Sparks, NV 89431  
Phone: (775) 415-0100

**Texas**  
1330 Post & Paddock St.,  
Suite 800  
Grand Prairie, TX 75050  
(945) 202-2700

monarchmetal.com



<b>Created By:</b> AMH	<b>Approved By:</b> AMH	<b>Sheet Size</b> A	<b>Sheet No.</b> 2/9
<b>Creation Date:</b> 8/19/2022	<b>Approval Date:</b> 8/23/2022	<b>Scale</b> 1.5:1	<b>Rev</b> 1



**MFSTR-075-2**

Weight: 0.126 lbmass  
Aluminum 6063  
Finish: Mill Finish



**MONARCH**  
METAL INC.

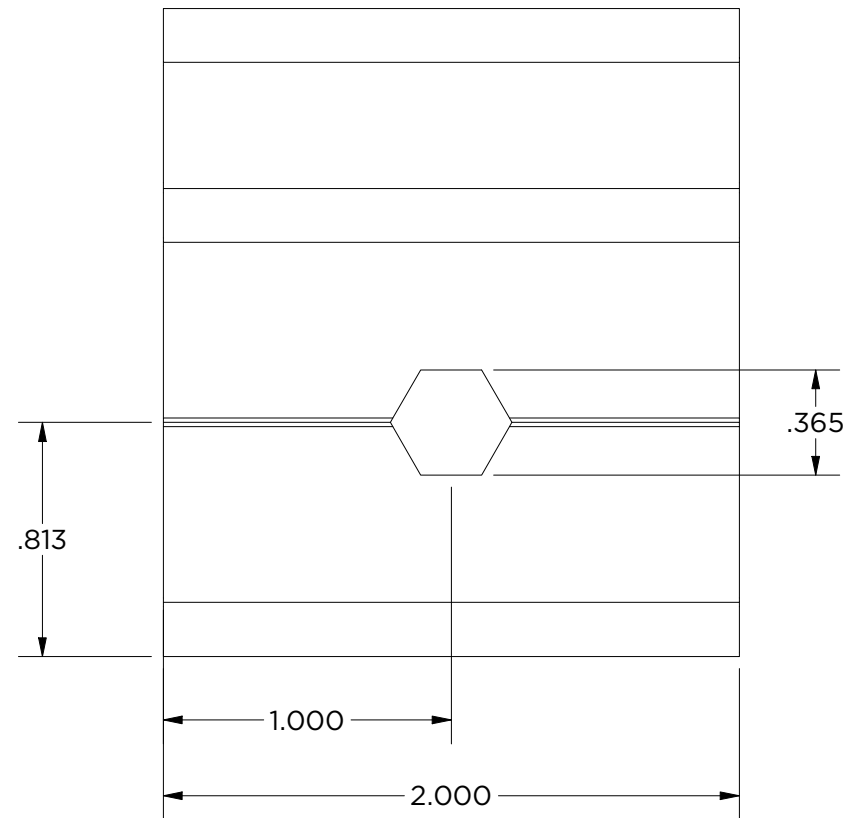
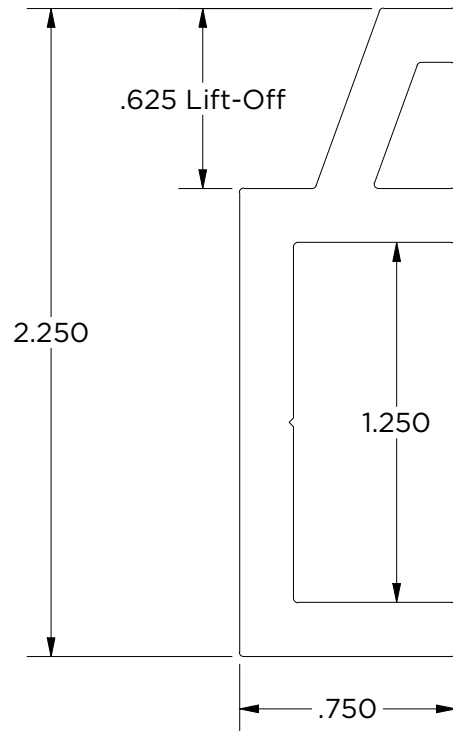
**PROPRIETARY AND CONFIDENTIAL**  
THE INFORMATION CONTAINED IN THIS DRAWING IS THE SOLE PROPERTY OF MONARCH METAL FABRICATION. ANY REPRODUCTION IN PART OR AS A WHOLE WITHOUT THE WRITTEN PERMISSION OF MONARCH METAL INC. IS PROHIBITED.

**New York**  
1700 Ocean Ave Suite 2  
Ronkonkoma NY 11779  
Phone: (631) 750-3000

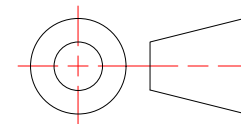
**Nevada**  
1080 Linda Way, Unit 10  
Sparks, NV 89431  
Phone: (775) 415-0100

**Texas**  
1330 Post & Paddock St.,  
Suite 800  
Grand Prairie, TX 75050  
(945) 202-2700

monarchmetal.com



<b>Created By:</b> AMH	<b>Approved By:</b> AMH	<b>Sheet Size</b> A	<b>Sheet No.</b> 3/9
<b>Creation Date:</b> 8/19/2022	<b>Approval Date:</b> 8/23/2022	<b>Scale</b> 1.5:1	<b>Rev</b> 1



**MFSTR-075-2-K**

Heavy Duty 3/4" Clip for Keil Anchors

Weight: 0.126 lbmass  
Aluminum 6063  
Finish: Mill Finish



**MONARCH**  
METAL INC.

**PROPRIETARY AND CONFIDENTIAL**

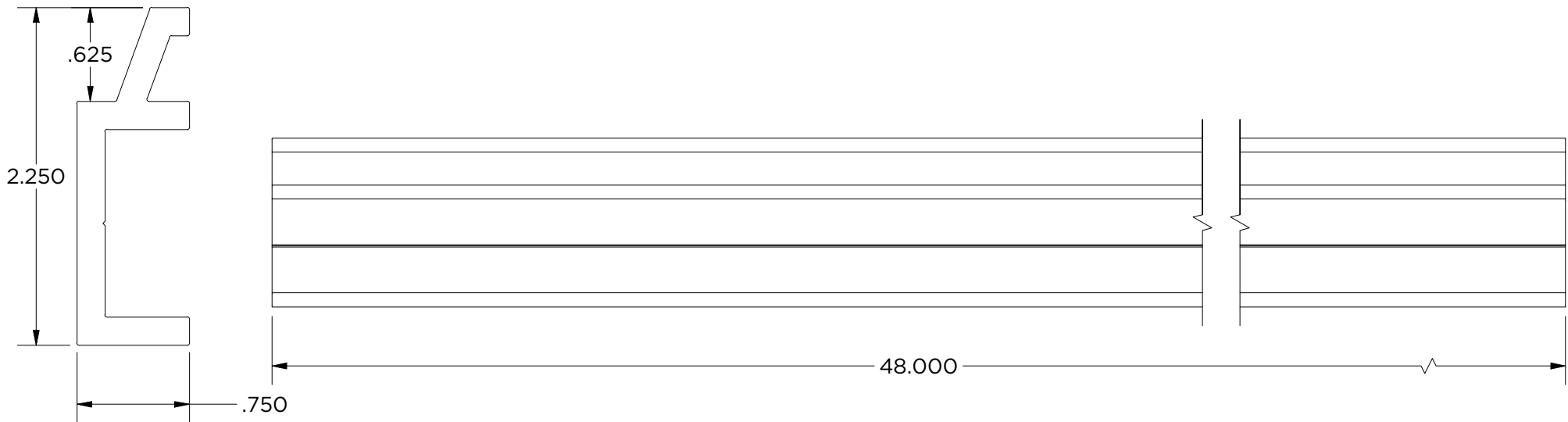
THE INFORMATION CONTAINED IN THIS DRAWING IS THE SOLE PROPERTY OF MONARCH METAL FABRICATION. ANY REPRODUCTION IN PART OR AS A WHOLE WITHOUT THE WRITTEN PERMISSION OF MONARCH METAL INC. IS PROHIBITED.

**New York**  
1700 Ocean Ave Suite 2  
Ronkonkoma NY 11779  
Phone: (631) 750-3000

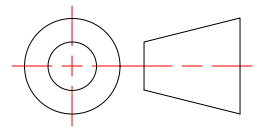
**Nevada**  
1080 Linda Way, Unit 10  
Sparks, NV 89431  
Phone: (775) 415-0100

**Texas**  
1330 Post & Paddock St.,  
Suite 800  
Grand Prairie, TX 75050  
(945) 202-2700

monarchmetal.com



<b>Created By:</b> AMH	<b>Approved By:</b> AMH	<b>Sheet Size</b> A	<b>Sheet No.</b> 4/9
<b>Creation Date:</b> 8/19/2022	<b>Approval Date:</b> 8/23/2022	<b>Scale</b> 1:1	<b>Rev</b> 1



**MFSTR-075-48**

Weight: 3.077 lbmass  
Aluminum 6063  
Finish: Mill Finish

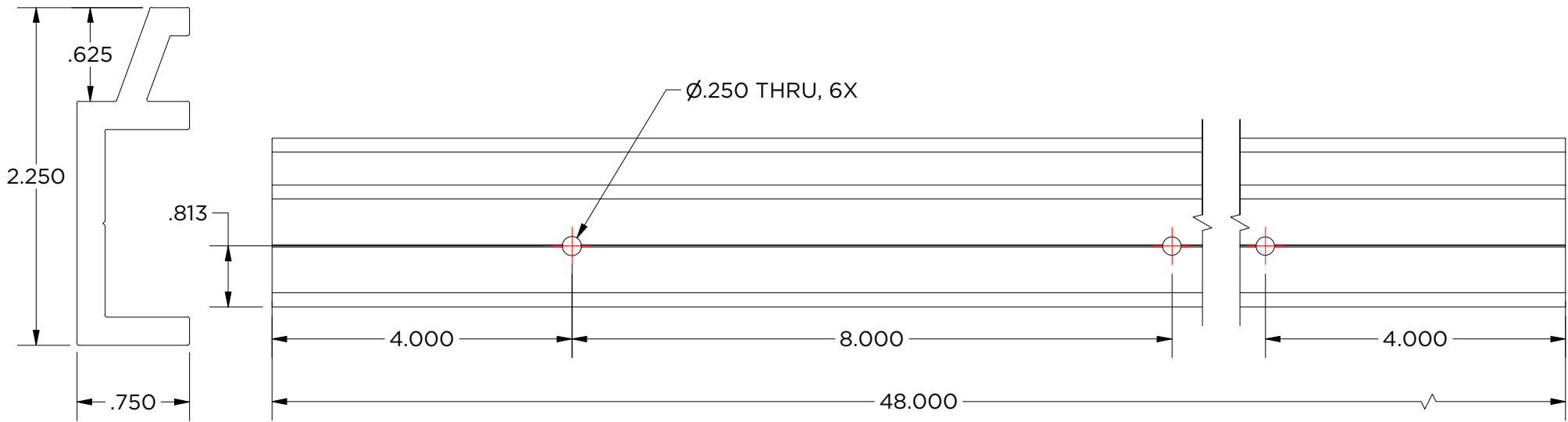


**MONARCH**  
METAL INC.

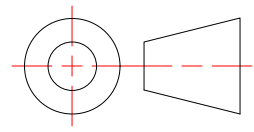
**PROPRIETARY AND CONFIDENTIAL**  
THE INFORMATION CONTAINED IN THIS DRAWING IS THE SOLE PROPERTY OF MONARCH METAL FABRICATION. ANY REPRODUCTION IN PART OR AS A WHOLE WITHOUT THE WRITTEN PERMISSION OF MONARCH METAL INC. IS PROHIBITED.

<b>New York</b> 1700 Ocean Ave Suite 2 Ronkonkoma NY 11779 Phone: (631) 750-3000	<b>Nevada</b> 1080 Linda Way, Unit 10 Sparks, NV 89431 Phone: (775) 415-0100	<b>Texas</b> 1330 Post & Paddock St., Suite 800 Grand Prairie, TX 75050 (945) 202-2700
---	---	--

monarchmetal.com



<b>Created By:</b> AMH	<b>Approved By:</b> AMH	<b>Sheet Size</b> A	<b>Sheet No.</b> 5/9
<b>Creation Date:</b> 8/19/2022	<b>Approval Date:</b> 8/23/2022	<b>Scale</b> 1:1	<b>Rev</b> 1



**MFSTR-075-48H8**

Weight: 3.072 lbmass  
Aluminum 6063  
Finish: Mill Finish

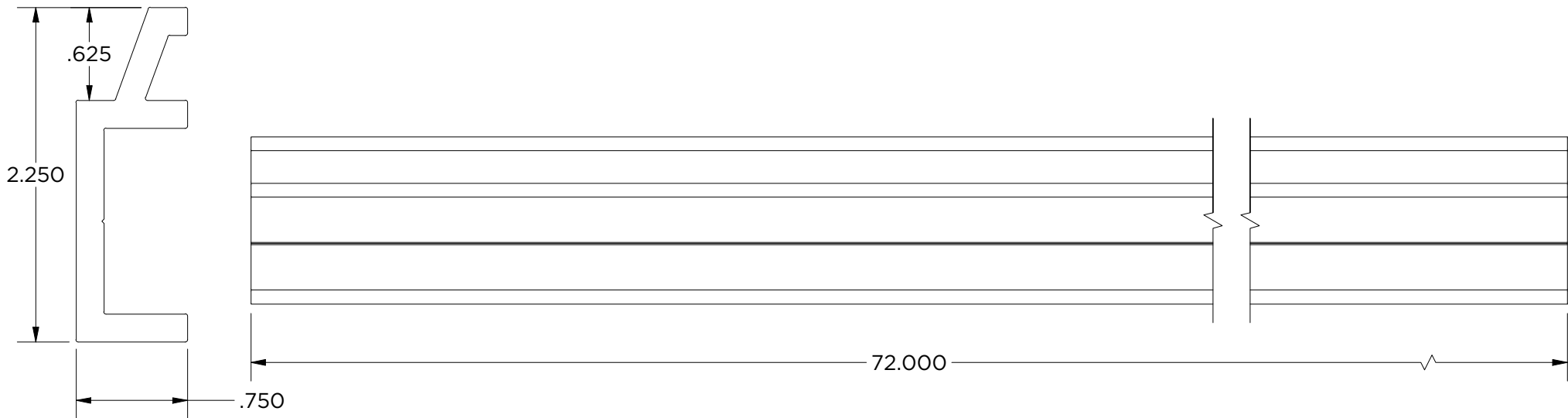


**MONARCH**  
METAL INC.

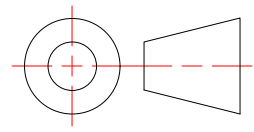
**PROPRIETARY AND CONFIDENTIAL**  
THE INFORMATION CONTAINED IN THIS DRAWING IS THE SOLE PROPERTY OF MONARCH METAL FABRICATION. ANY REPRODUCTION IN PART OR AS A WHOLE WITHOUT THE WRITTEN PERMISSION OF MONARCH METAL INC. IS PROHIBITED.

<b>New York</b> 1700 Ocean Ave Suite 2 Ronkonkoma NY 11779 Phone: (631) 750-3000	<b>Nevada</b> 1080 Linda Way, Unit 10 Sparks, NV 89431 Phone: (775) 415-0100	<b>Texas</b> 1330 Post & Paddock St., Suite 800 Grand Prairie, TX 75050 (945) 202-2700
---	---	--

monarchmetal.com



<b>Created By:</b> AMH	<b>Approved By:</b> AMH	<b>Sheet Size</b> A	<b>Sheet No.</b> 6/9
<b>Creation Date:</b> 8/19/2022	<b>Approval Date:</b> 8/23/2022	<b>Scale</b> 1:1	<b>Rev</b> 1



**MFSTR-075-72**

Weight: 4.616 lbmass  
Aluminum 6063  
Finish: Mill Finish

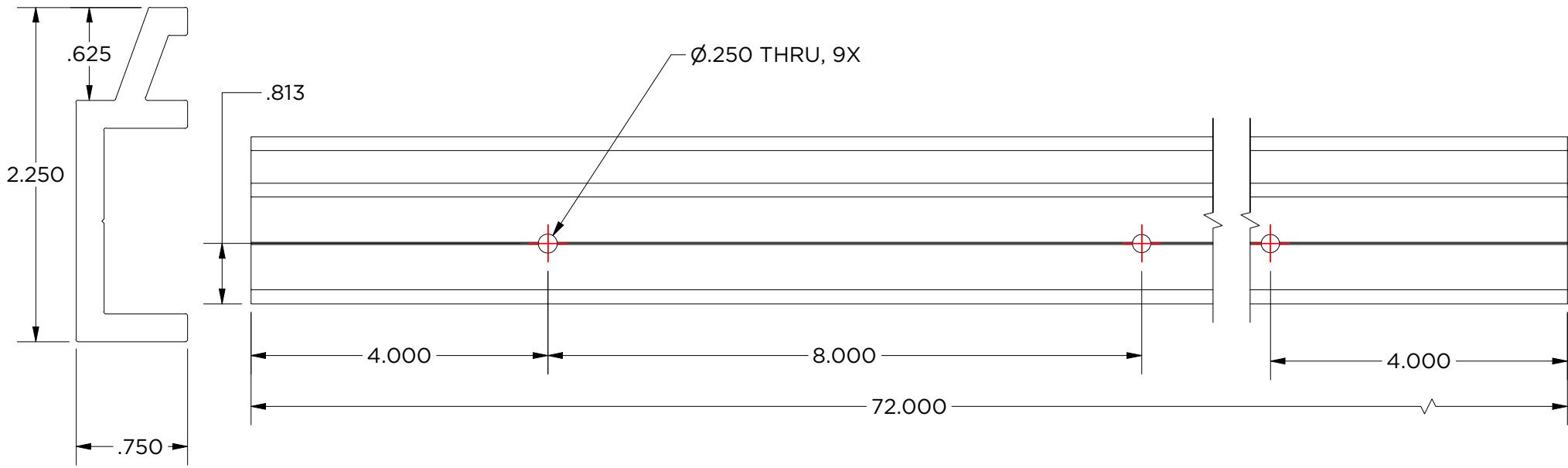


**MONARCH**  
METAL INC.

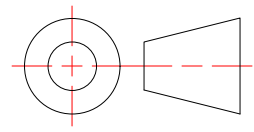
**PROPRIETARY AND CONFIDENTIAL**  
THE INFORMATION CONTAINED IN THIS DRAWING IS THE SOLE PROPERTY OF MONARCH METAL FABRICATION. ANY REPRODUCTION IN PART OR AS A WHOLE WITHOUT THE WRITTEN PERMISSION OF MONARCH METAL INC. IS PROHIBITED.

<b>New York</b> 1700 Ocean Ave Suite 2 Ronkonkoma NY 11779 Phone: (631) 750-3000	<b>Nevada</b> 1080 Linda Way, Unit 10 Sparks, NV 89431 Phone: (775) 415-0100	<b>Texas</b> 1330 Post & Paddock St., Suite 800 Grand Prairie, TX 75050 (945) 202-2700
---	---	--

monarchmetal.com



<b>Created By:</b> AMH	<b>Approved By:</b> AMH	<b>Sheet Size</b> A	<b>Sheet No.</b> 7/9
<b>Creation Date:</b> 8/19/2022	<b>Approval Date:</b> 8/23/2022	<b>Scale</b> 1:1	<b>Rev</b> 1



**MFSTR-075-72H8**

Weight: 4.608 lbmass  
Aluminum 6063  
Finish: Mill Finish

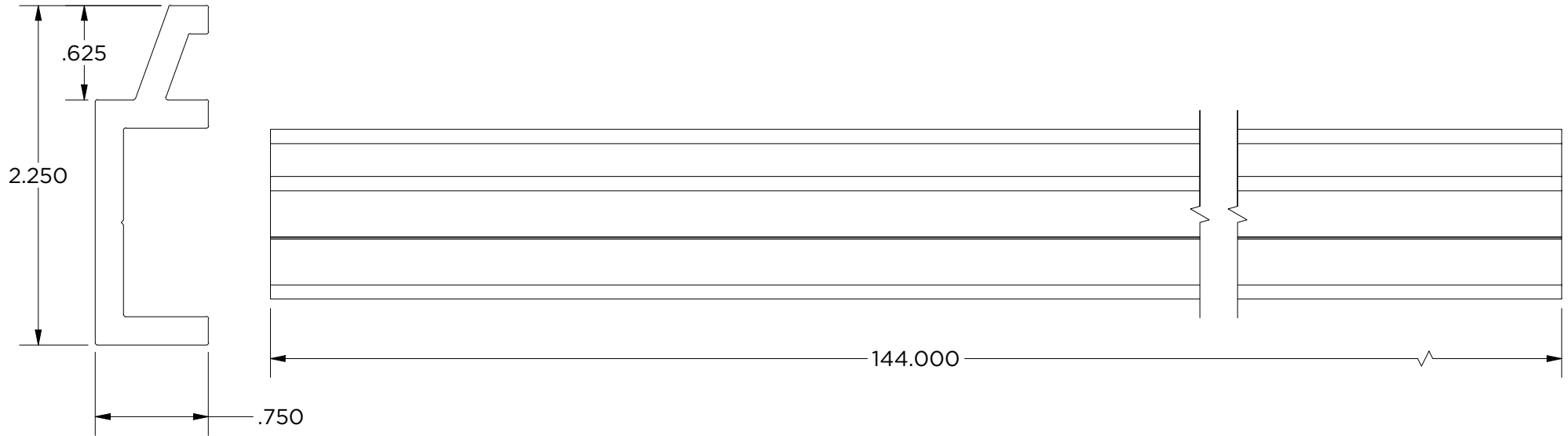


**MONARCH**  
METAL INC.

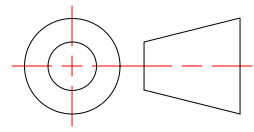
**PROPRIETARY AND CONFIDENTIAL**  
THE INFORMATION CONTAINED IN THIS DRAWING IS THE SOLE PROPERTY OF MONARCH METAL FABRICATION. ANY REPRODUCTION IN PART OR AS A WHOLE WITHOUT THE WRITTEN PERMISSION OF MONARCH METAL INC. IS PROHIBITED.

<b>New York</b> 1700 Ocean Ave Suite 2 Ronkonkoma NY 11779 Phone: (631) 750-3000	<b>Nevada</b> 1080 Linda Way, Unit 10 Sparks, NV 89431 Phone: (775) 415-0100	<b>Texas</b> 1330 Post & Paddock St., Suite 800 Grand Prairie, TX 75050 (945) 202-2700
---	---	--

monarchmetal.com



<b>Created By:</b> AMH	<b>Approved By:</b> AMH	<b>Sheet Size</b> A	<b>Sheet No.</b> 8/9
<b>Creation Date:</b> 8/19/2022	<b>Approval Date:</b> 8/23/2022	<b>Scale</b> 1:1	<b>Rev</b> 1



**MFSTR-075-144**

Weight: 9.231 lbmass  
Aluminum 6063  
Finish: Mill Finish

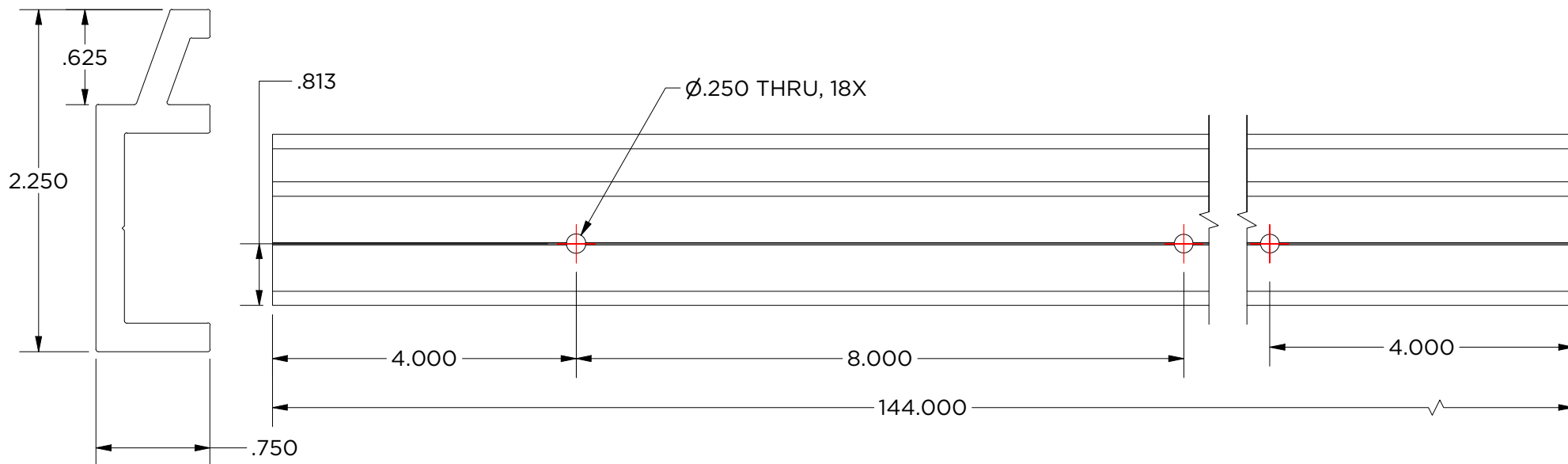


**MONARCH**  
METAL INC.

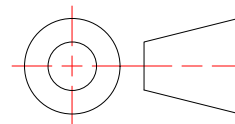
**PROPRIETARY AND CONFIDENTIAL**  
THE INFORMATION CONTAINED IN THIS DRAWING IS THE SOLE PROPERTY OF MONARCH METAL FABRICATION. ANY REPRODUCTION IN PART OR AS A WHOLE WITHOUT THE WRITTEN PERMISSION OF MONARCH METAL INC. IS PROHIBITED.

<b>New York</b> 1700 Ocean Ave Suite 2 Ronkonkoma NY 11779 Phone: (631) 750-3000	<b>Nevada</b> 1080 Linda Way, Unit 10 Sparks, NV 89431 Phone: (775) 415-0100	<b>Texas</b> 1330 Post & Paddock St., Suite 800 Grand Prairie, TX 75050 (945) 202-2700
---	---	--

monarchmetal.com



<b>Created By:</b> AMH	<b>Approved By:</b> AMH	<b>Sheet Size</b> A	<b>Sheet No.</b> 9/9
<b>Creation Date:</b> 8/19/2022	<b>Approval Date:</b> 8/23/2022	<b>Scale</b> 1:1	<b>Rev</b> 1



**MFSTR-075-144H8**

Weight: 9.215 lbmass  
Aluminum 6063  
Finish: Mill Finish



**MONARCH**  
METAL INC.

**PROPRIETARY AND CONFIDENTIAL**

THE INFORMATION CONTAINED IN THIS DRAWING IS THE SOLE PROPERTY OF MONARCH METAL FABRICATION. ANY REPRODUCTION IN PART OR AS A WHOLE WITHOUT THE WRITTEN PERMISSION OF MONARCH METAL INC. IS PROHIBITED.

**New York**  
1700 Ocean Ave Suite 2  
Ronkonkoma NY 11779  
Phone: (631) 750-3000

**Nevada**  
1080 Linda Way, Unit 10  
Sparks, NV 89431  
Phone: (775) 415-0100

**Texas**  
1330 Post & Paddock St.,  
Suite 800  
Grand Prairie, TX 75050  
(945) 202-2700

monarchmetal.com