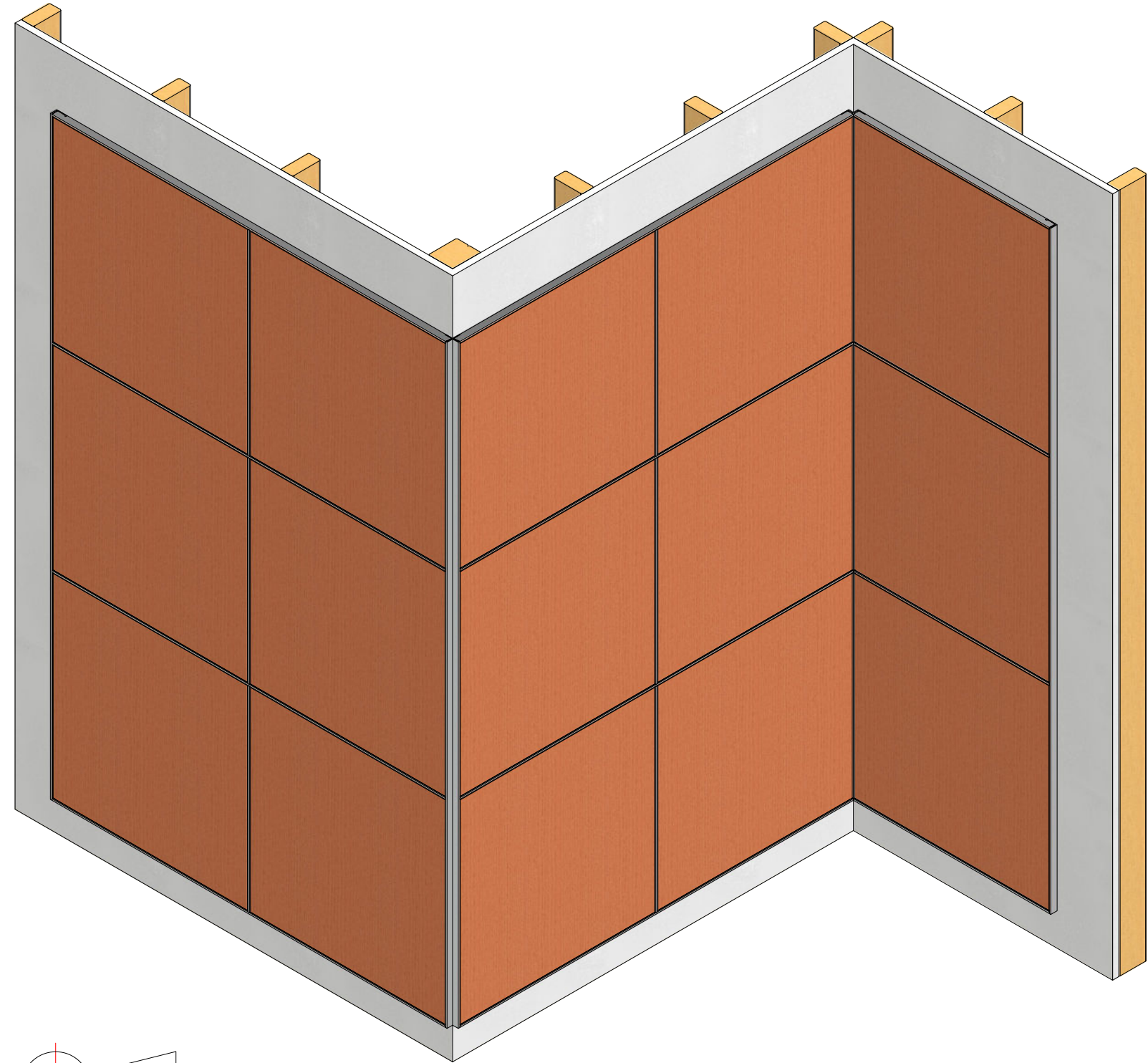


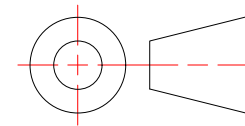
**Monarch SPS**

Progressive, Snap-fit Support System for  $\frac{3}{8}$ " (10mm) Panels.

- Cost-Effective
- Labor Friendly
- Edge Trims act as Horizontal and Vertical Reveals
- System may be installed flush to substrate, or shimmed up to  $\frac{1}{2}$ "



<b>Created By:</b> amh	<b>Approved By:</b>	<b>Sheet Size</b> B	<b>Sheet No.</b> 1/3
<b>Creation Date:</b> 6/4/2024	<b>Approval Date:</b>	<b>Scale</b> 1:12	<b>Rev</b>



**SPS - Panel System Details**  
3/8"(10mm) Panel Trim System

Weight: 732.577 lbmass

Finish:



**MONARCH**  
METAL INC.

monarchmetal.com

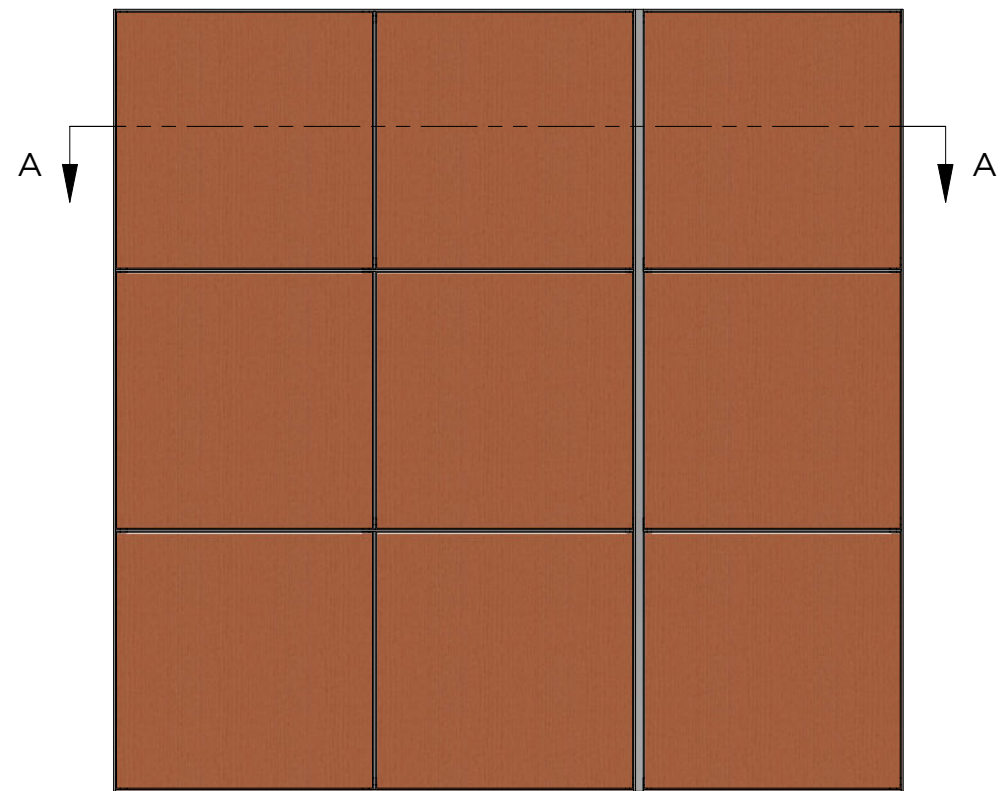
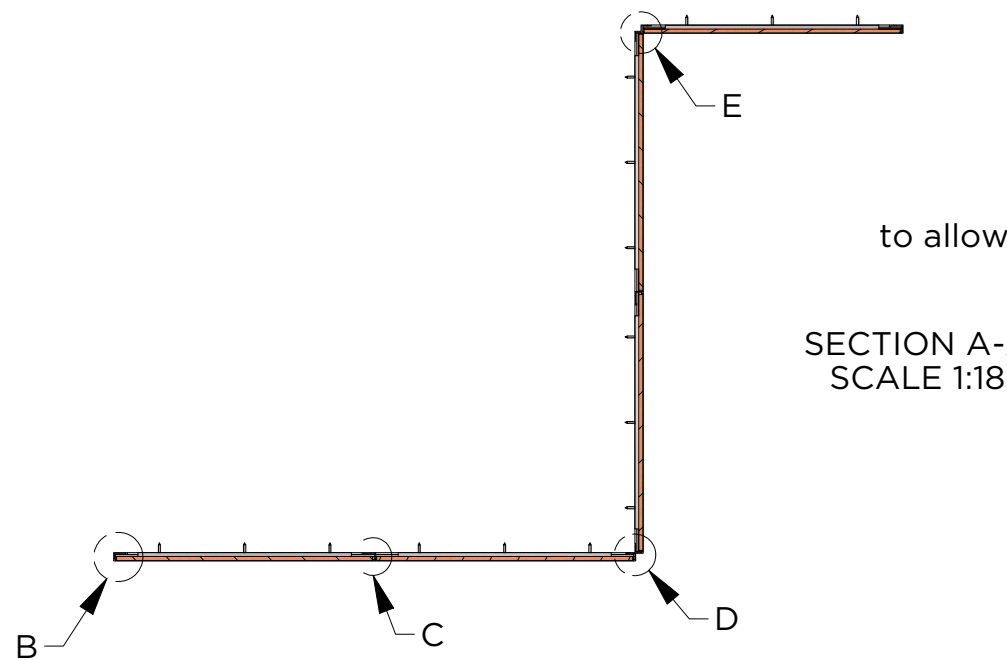
**PROPRIETARY AND CONFIDENTIAL**

THE INFORMATION CONTAINED IN THIS DRAWING IS THE SOLE PROPERTY OF MONARCH METAL FABRICATION. ANY REPRODUCTION IN PART OR AS A WHOLE WITHOUT THE WRITTEN PERMISSION OF MONARCH METAL INC. IS PROHIBITED.

**New York**  
1700 Ocean Ave Suite 2  
Ronkonkoma NY 11779  
Phone: (631) 750-3000

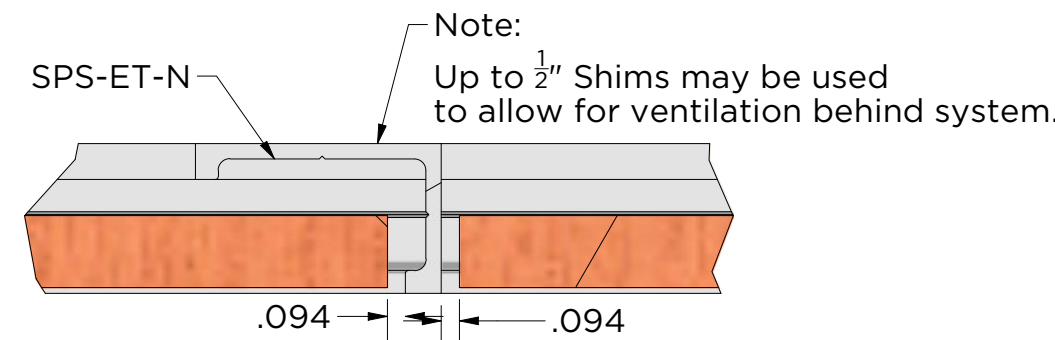
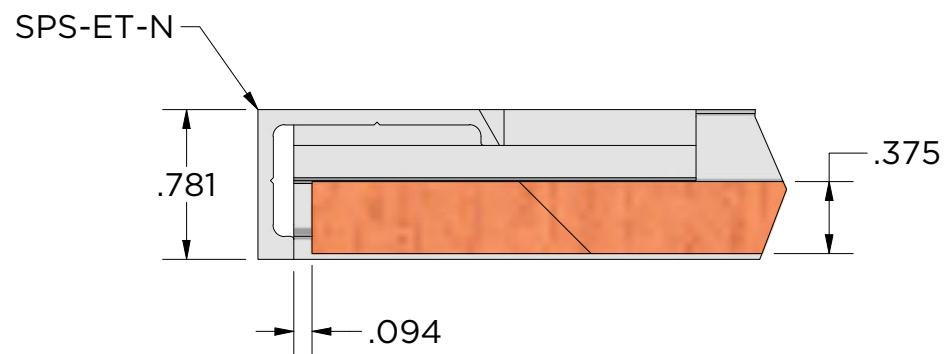
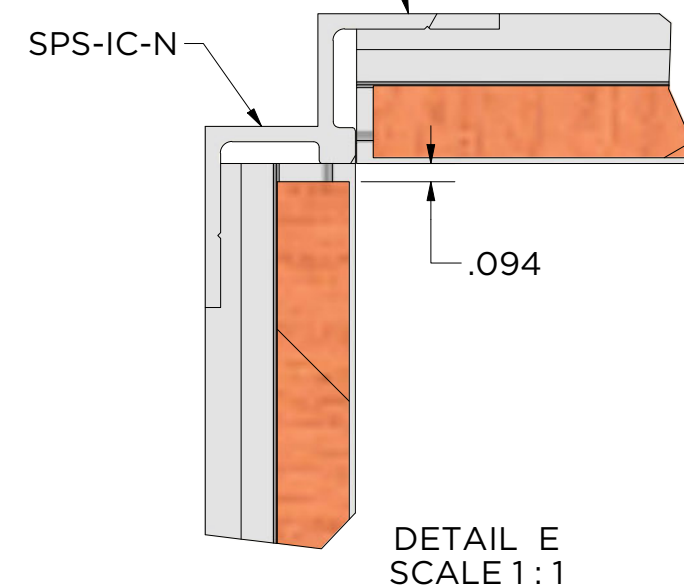
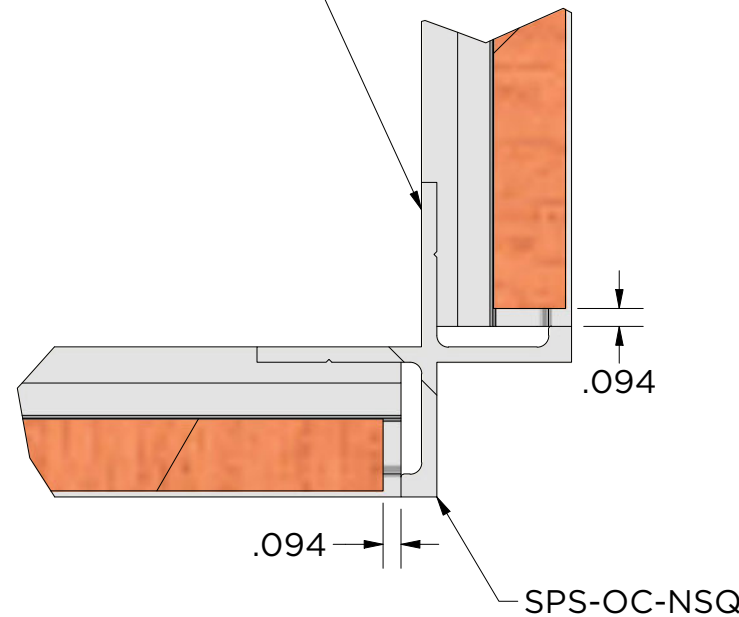
**Nevada**  
1080 Linda Way, Unit 10  
Sparks, NV 89431  
Phone: (775) 415-0100

**Texas**  
1330 Post & Paddock St.,  
Suite 800  
Grand Prairie, TX 75050  
(945) 202-2700



Note:  
Up to  $\frac{1}{2}$ " Shims may be used  
to allow for ventilation behind system.

Note:  
Up to  $\frac{1}{2}$ " Shims may be used  
to allow for ventilation behind system.



Note: MSNAP-ET Profiles  
are used as Edge Trim,  
Horizontal and Vertical  
Reveals

Created By: amh	Approved By:	Sheet Size B	Sheet No. 2/3
Creation Date: 6/4/2024	Approval Date:	Scale 1:18	Rev



**SPS - Panel System Details**  
3/8"(10mm) Panel Trim System

Weight: 732.577 lbmass

Finish:

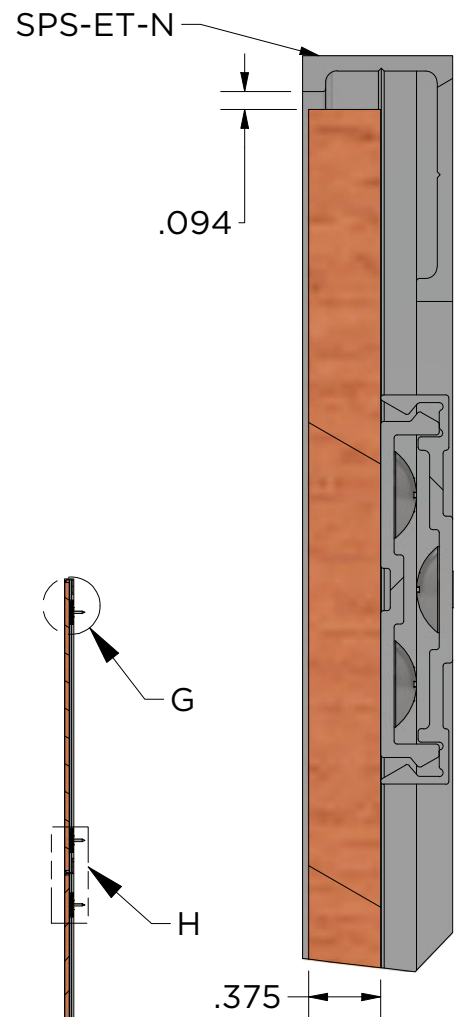
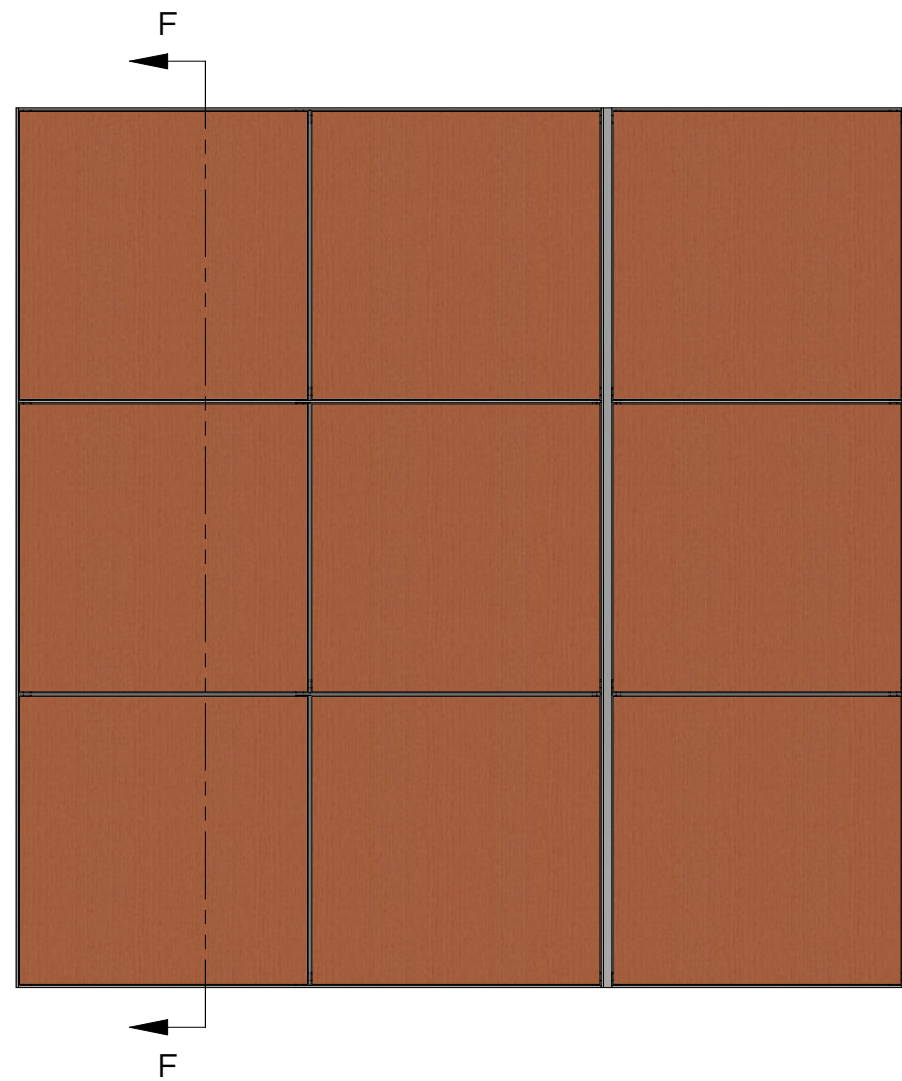


**MONARCH**  
METAL INC.

monarchmetal.com

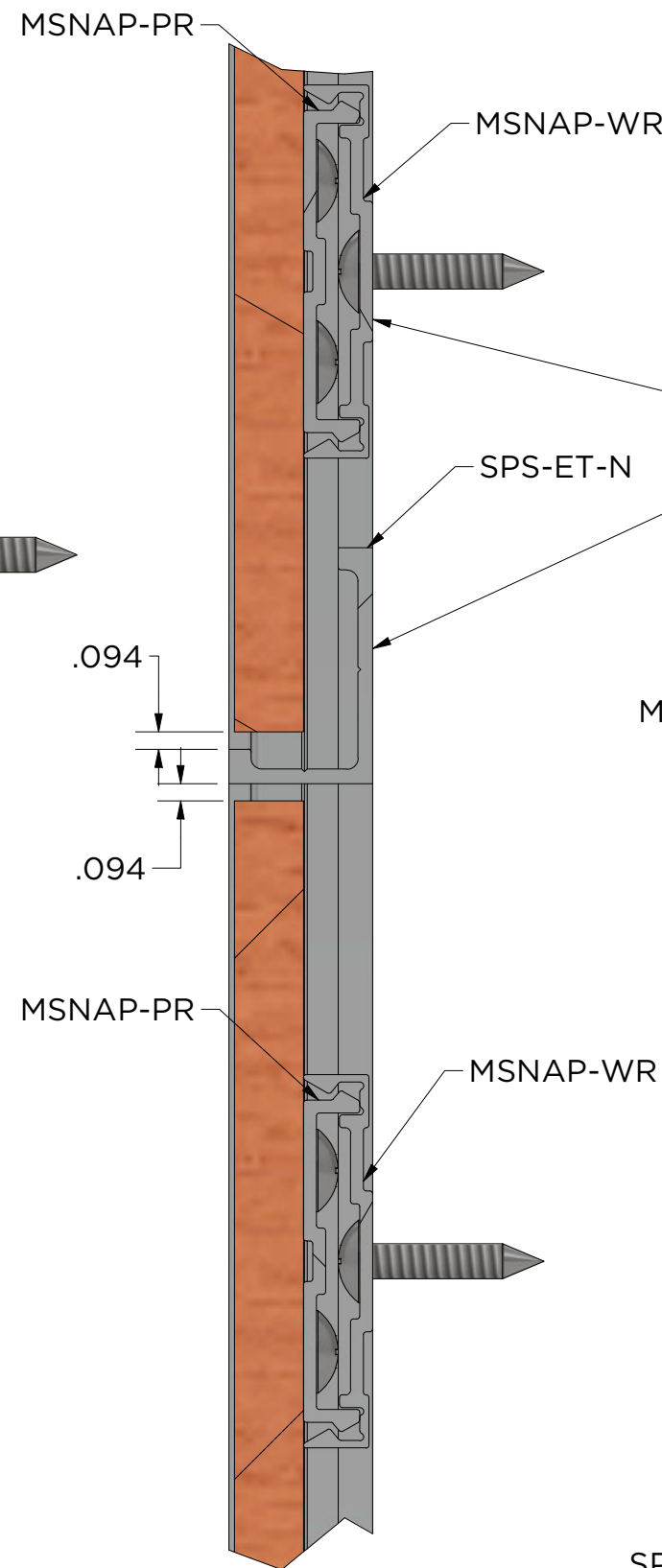
**PROPRIETARY AND CONFIDENTIAL**  
THE INFORMATION CONTAINED IN THIS DRAWING IS THE SOLE PROPERTY OF  
MONARCH METAL FABRICATION. ANY REPRODUCTION IN PART OR AS A WHOLE  
WITHOUT THE WRITTEN PERMISSION OF MONARCH METAL INC. IS PROHIBITED.

<b>New York</b> 1700 Ocean Ave Suite 2 Ronkonkoma NY 11779 Phone: (631) 750-3000	<b>Nevada</b> 1080 Linda Way, Unit 10 Sparks, NV 89431 Phone: (775) 415-0100	<b>Texas</b> 1330 Post & Paddock St., Suite 800 Grand Prairie, TX 75050 (945) 202-2700
---	---	--

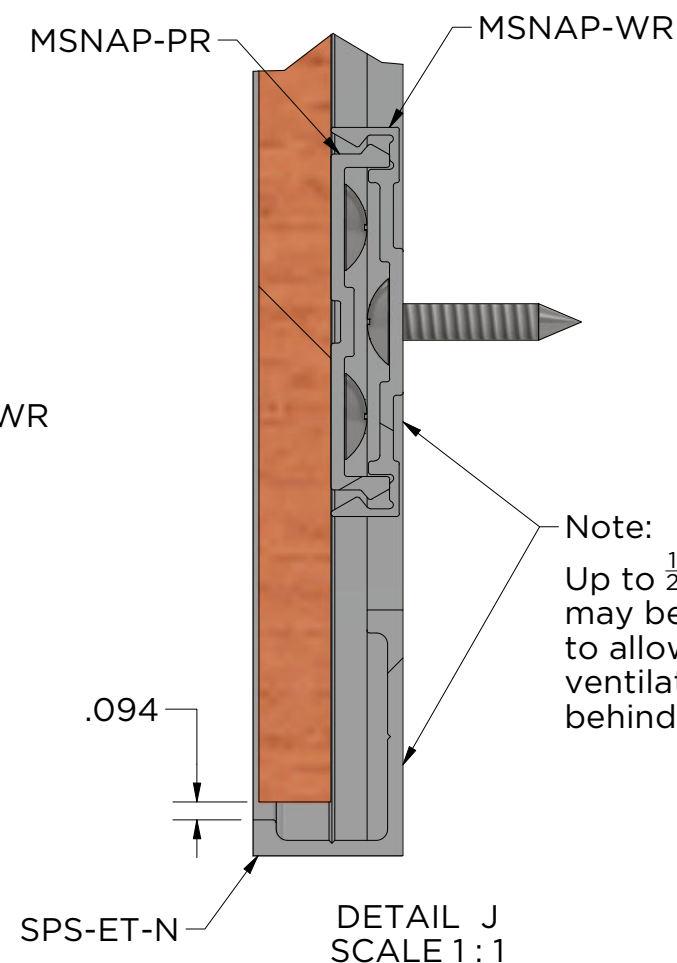


DETAIL G  
SCALE 1:1

SECTION F-F  
SCALE 1:16



DETAIL H  
SCALE 1:1

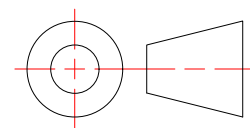


DETAIL J  
SCALE 1:1

Note:  
Up to 1/2" Shims may be used  
to allow for ventilation  
behind system.

Note:  
Up to 1/2" Shims  
may be used  
to allow for  
ventilation  
behind system.

Created By: amh	Approved By:	Sheet Size B	Sheet No. 3/3
Creation Date: 6/4/2024	Approval Date:	Scale 1:16	Rev



**SPS - Panel System Details**  
3/8"(10mm) Panel Trim System

Weight: 732.577 lbmass

Finish:



**MONARCH**  
METAL INC.

monarchmetal.com

**PROPRIETARY AND CONFIDENTIAL**

THE INFORMATION CONTAINED IN THIS DRAWING IS THE SOLE PROPERTY OF MONARCH METAL FABRICATION. ANY REPRODUCTION IN PART OR AS A WHOLE WITHOUT THE WRITTEN PERMISSION OF MONARCH METAL INC. IS PROHIBITED.

**New York**  
1700 Ocean Ave Suite 2  
Ronkonkoma NY 11779  
Phone: (631) 750-3000

**Nevada**  
1080 Linda Way, Unit 10  
Sparks, NV 89431  
Phone: (775) 415-0100

**Texas**  
1330 Post & Paddock St.,  
Suite 800  
Grand Prairie, TX 75050  
(945) 202-2700