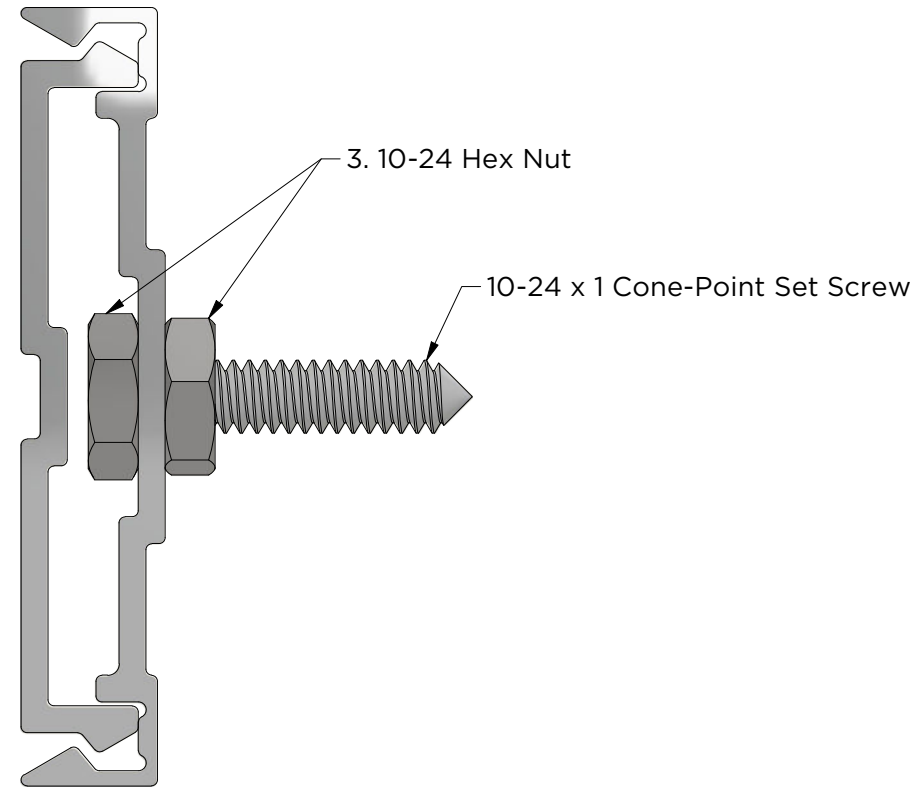
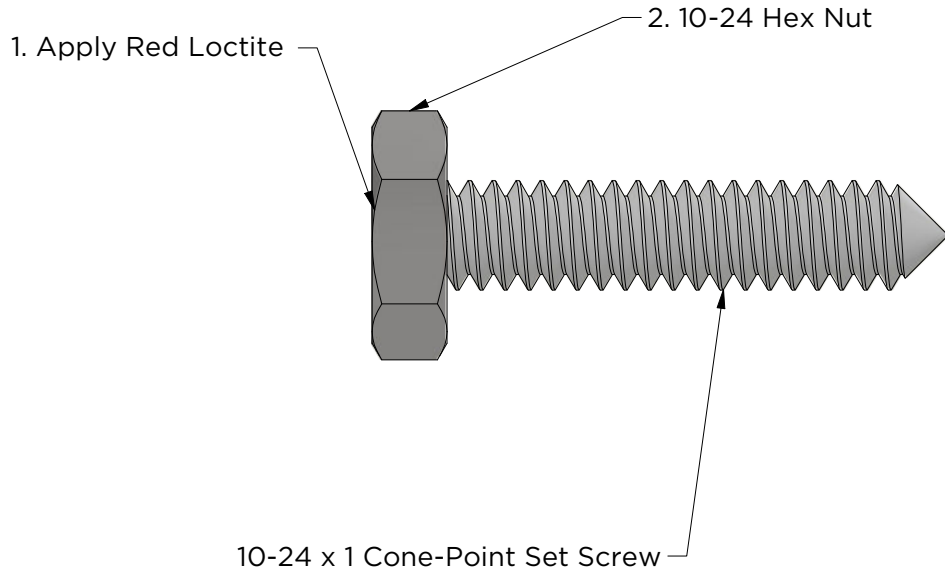
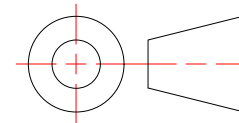


**Assembly Steps -**

1. Apply Loctite 242 to Set Screw
2. Thread on hex nut to head of set screw.
3. Allow for Loctite to dry for 10 minutes.
4. Insert Set Screw into MSNAP-WR, and thread-on second hex nut.



<b>Created By:</b> amh	<b>Approved By:</b>	<b>Sheet Size</b> A	<b>Sheet No.</b> 1/5
<b>Creation Date:</b> 12/13/2024	<b>Approval Date:</b>	<b>Scale</b> 3 : 1	<b>Rev</b>



**Monarch MSNAP Marking Screw Assembly**

- (1) 10-24 x 1 Cone Point Set Screw - McMaster-Carr 92785A522
- (2) 10-24 Hex Nuts - McMaster-Carr 90730A512

Weight: 0.004 lbmass

Finish:



**MONARCH**  
METAL INC.

**PROPRIETARY AND CONFIDENTIAL**

THE INFORMATION CONTAINED IN THIS DRAWING IS THE SOLE PROPERTY OF MONARCH METAL FABRICATION. ANY REPRODUCTION IN PART OR AS A WHOLE WITHOUT THE WRITTEN PERMISSION OF MONARCH METAL INC. IS PROHIBITED.

**New York**  
1700 Ocean Ave Suite 2  
Ronkonkoma NY 11779  
Phone: (631) 750-3000

**Nevada**  
1080 Linda Way, Unit 10  
Sparks, NV 89431  
Phone: (775) 415-0100

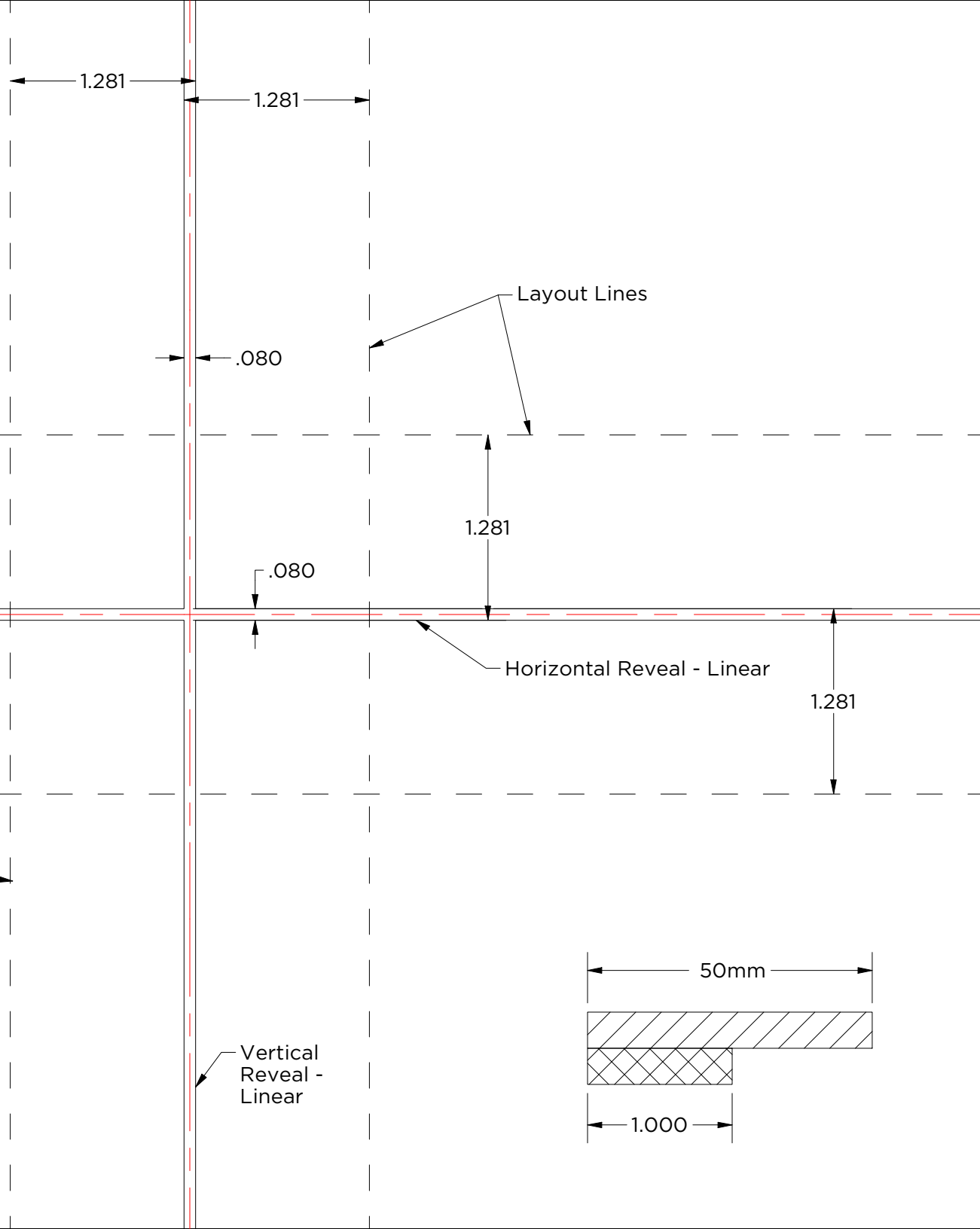
**Texas**  
1330 Post & Paddock St.,  
Suite 800  
Grand Prairie, TX 75050  
(945) 202-2700

monarchmetal.com

### SPS Intersection Layout Guide -

\*\*Print Page 1:1, No Scaling. Check Reference Dimension Prior to Use.

1. From Shop Drawings, find centerline of horizontal and vertical reveals.
2. Starting with Vertical Reveals, transfer measurements to wall.
3. Using a laser, or spirit-level, mark Vertical Centerlines on the wall.
4. Now, transfer horizontal measurements to wall.
5. Using a laser, or spirit-level, mark Horizontal Centerlines on the wall.
6. Once Vertical and Horizontal centerlines are marked, take the intersection layout guide, and attach to the first intersection.
7. Transfer layout lines to the wall, and repeat until all intersections are detailed.

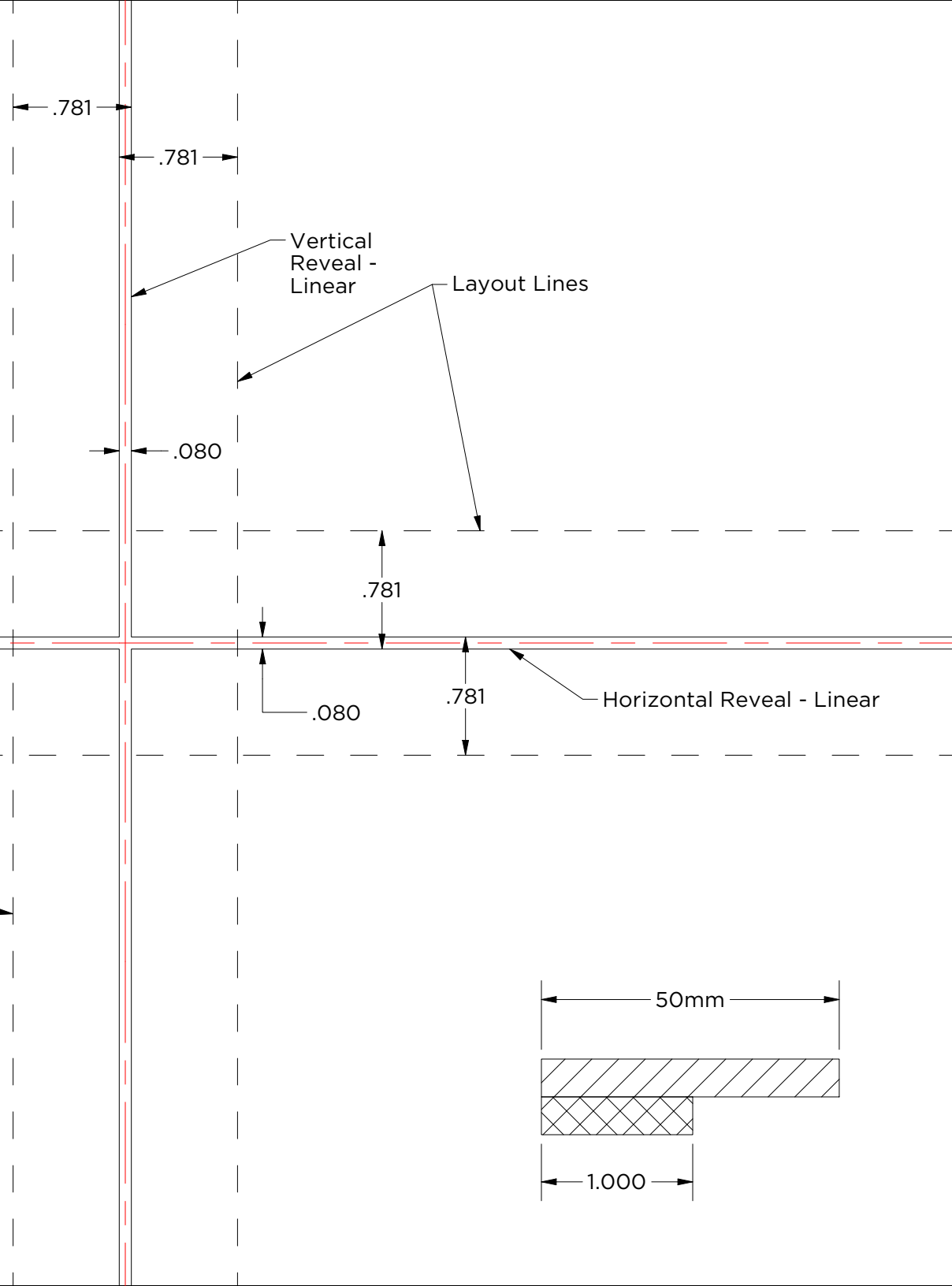


$\frac{3}{8}$ " Panel - Linear Reveals

## SPS Intersection Layout Guide -

\*\*Print Page 1:1, No Scaling. Check Reference Dimension Prior to Use.

1. From Shop Drawings, find centerline of horizontal and vertical reveals.
2. Starting with Vertical Reveals, transfer measurements to wall.
3. Using a laser, or spirit-level, mark Vertical Centerlines on the wall.
4. Now, transfer horizontal measurements to wall.
5. Using a laser, or spirit-level, mark Horizontal Centerlines on the wall.
6. Once Vertical and Horizontal centerlines are marked, take the intersection layout guide, and attach to the first intersection.
7. Transfer layout lines to the wall, and repeat until all intersections are detailed.



Layout Lines

$\frac{3}{4}$ " Panel - Linear Reveals

## SPS Intersection Layout Guide -

\*\*Print Page 1:1, No Scaling. Check Reference Dimension Prior to Use.

1. From Shop Drawings, find centerline of horizontal and vertical reveals.
2. Starting with Vertical Reveals, transfer measurements to wall.
3. Using a laser, or spirit-level, mark Vertical Centerlines on the wall.
4. Now, transfer horizontal measurements to wall.
5. Using a laser, or spirit-level, mark Horizontal Centerlines on the wall.
6. Once Vertical and Horizontal centerlines are marked, take the intersection layout guide, and attach to the first intersection.
7. Transfer layout lines to the wall, and repeat until all intersections are detailed.

.781

.781

.188

Layout Lines

.781

.188

.781

Horizontal Reveal - Narrow

Layout Lines

Vertical  
Reveal -  
Narrow

$\frac{3}{4}$ " Panel - Narrow  
Reveals

50mm

1.000

