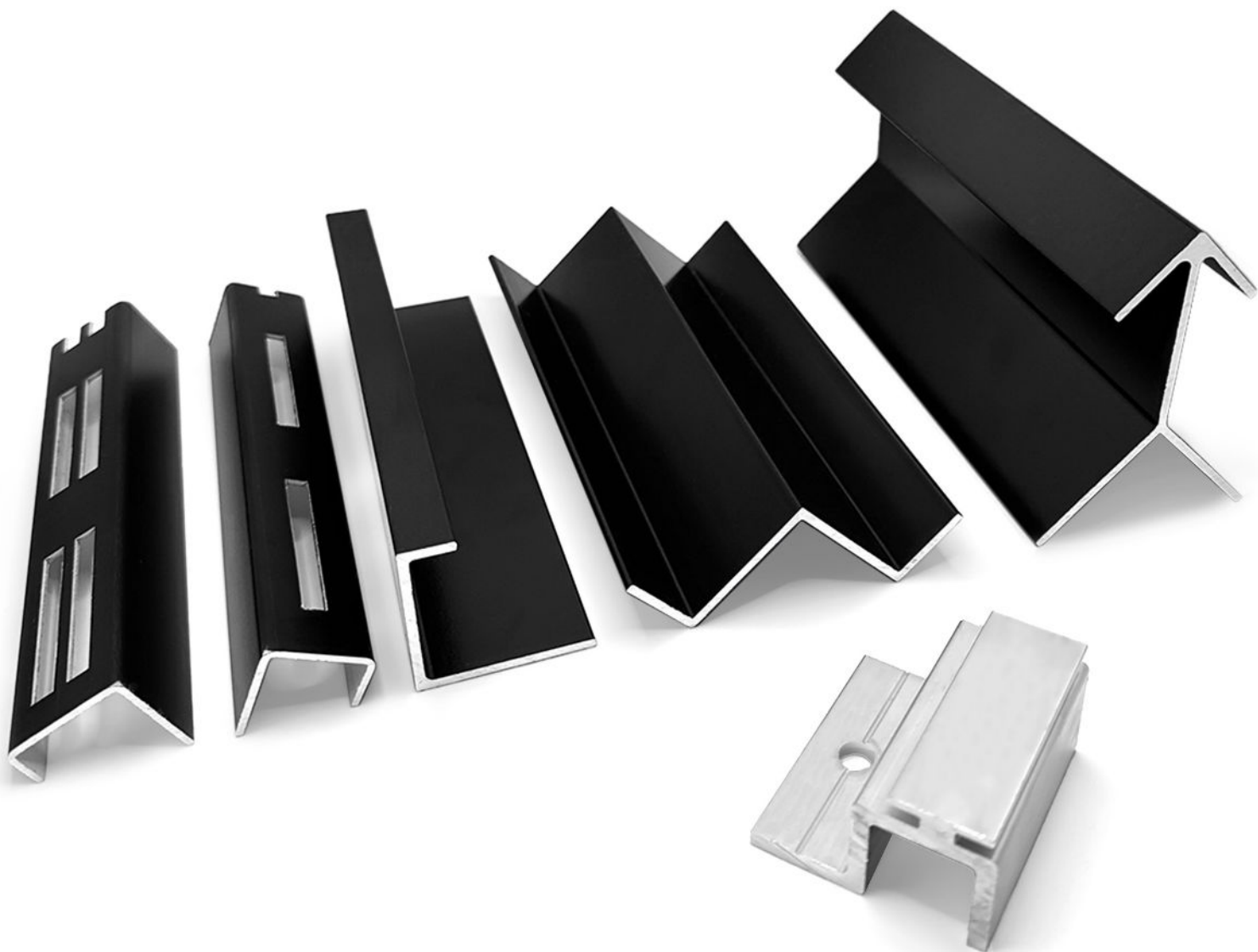


# MFTP SYSTEM

INSTALLATION GUIDE



**MONARCH**  
METAL INC.



# MFTP SYSTEM

## CONTENTS

○ SYSTEM OVERVIEW .....	2
○ COMPONENTS OVERVIEW .....	3
○ FASTENERS AND ACCESSORIES .....	4
○ HORIZONTAL INSTALLATION GUIDE .....	5
○ VERTICAL INSTALLATION GUIDE .....	8



# SYSTEM OVERVIEW

## ABOUT THE MFTP SYSTEM



Monarch Metal's MFTP system simplifies Trespa Pura installation by eliminating traditional wood furring and EPDM strips, reducing labor and material costs while maintaining the required 7/8" drained and ventilated cavity. This system prevents trapped moisture, streamlines installation, and enhances durability by removing furring strips that can degrade over time.

The MFTP System has been specifically designed for Trespa Pura NFC, as delivered by Trespa. It has not been designed for Trespa Meteor, other HPL panels, or panels fabricated from other materials.

Any use that deviates from Trespa Pura NFC, is not recommended or approved by Monarch Metal. The MFTP System has been approved by Trespa North America.



### HORIZONTAL INSTALLATION

Scan QR code for full video instructions or visit [www.monarchmetal.com/videos](http://www.monarchmetal.com/videos)



### VERTICAL INSTALLATION

Scan QR code for full video instructions or visit [www.monarchmetal.com/videos](http://www.monarchmetal.com/videos)

## MFTP BENEFITS

- Our system simplifies the installation of Trespa Pura panels by eliminating the typical 1x wood furring strips, and EPDM strips, common with typical installation systems.
- This system offers direct labor and material cost savings by reducing on-site labor and additional materials.
- The MFTP creates a 7/8" drained and ventilated cavity behind the cladding to protect the wall and cladding from trapped moisture.
- Durable and long-lasting. Monarch Metal's MFTP System will look great for years to come.

## INSTALLATION NOTE

Installation should be completed by a professional, who is experienced in planning and laying out the cladding prior to installation. Mockups and drawings should be completed prior to installation so that all scenarios described above are accounted for.

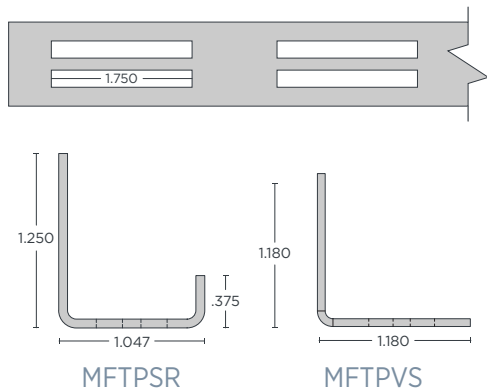
Trespa Pura planks should not be installed with clip spacing larger than 24" on center in any scenario.

Monarch Metal installation instructions are to be used as reference, and does not assume any liability for improper installation or materials damaged during installation. All care should be taken to follow instructions from both Monarch Metal and Trespa. These instructions may be updated at any time, and we reserve the right to update for any reason.



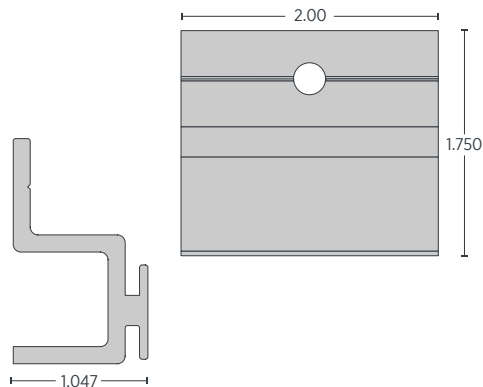
# COMPONENTS OVERVIEW

## MFTP RAILS AND CLIPS



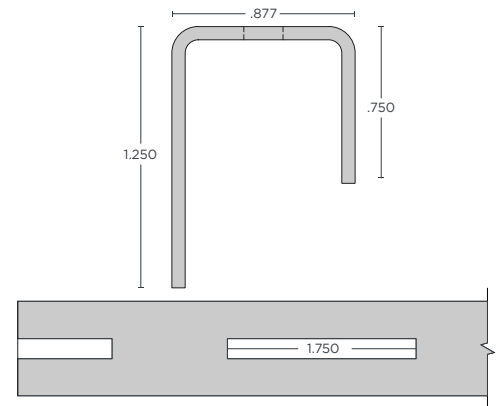
### MFTPSR / MFTPVS STARTER RAILS

Our Trespa Pura starter rails serve both as a starter rail and ventilated system closure. It can be used at the head of windows, doors, and other penetrations.



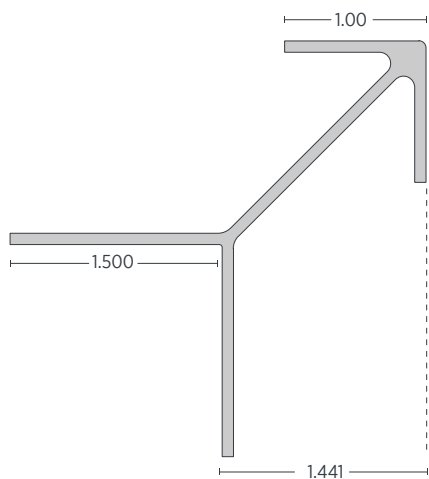
### MFTP2.0 CLIP

Our Trespa Pura clip allows you to install Trespa Pura panels without wood furring and secures the cladding in 16" or 24" O.C intervals



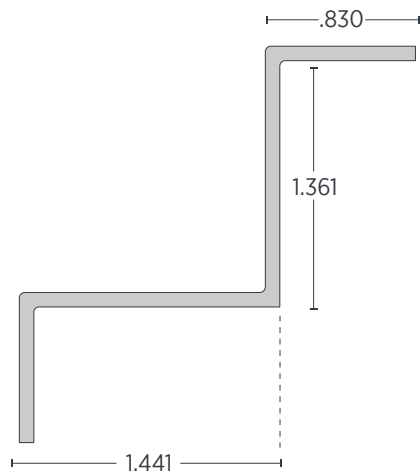
### MFTPHR - HEAD RAIL

Our Trespa Pura head rail is used for closing off the top of systems and can also be used above windows and doors.



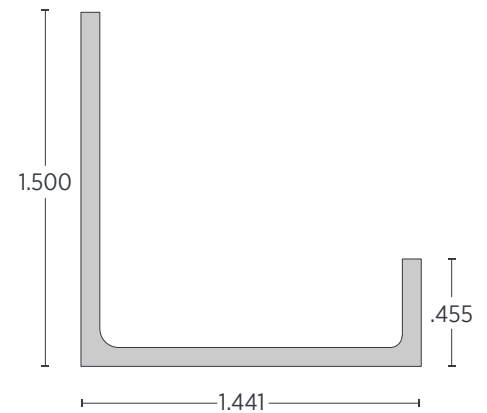
### MFTPOC - OUTSIDE CORNER

Our Trespa Pura outside corner is designed to cover the cut ends of the planks turning a corner, which allows for some forgiveness in slightly uneven cuts.



### MFTPIC - INSIDE CORNER

Our Trespa Pura inside corner is a great solution allowing for ventilation through the inside corner, which can be more susceptible to infiltration.



### MFTPET - EDGE TRIM

Our Trespa Pura edge trim is a useful profile and can be used all around the building envelope. Uses include window and door trim, vertical transitions, and linear penetrations.



# FASTENERS & ACCESSORIES

## RECOMMENDED FASTENERS

The MFTP2.0 Clip has been designed for pan head screws up to .250" in diameter. The clips are provided with 0.250" diameter holes, compatible with #12 and #14 screws. Larger heads up to 0.625" are recommended. Countersunk fasteners are not compatible or recommended.

The MFTPSR / MFTPVS, MFTPIC, MFTPOC, and MFTPET should all be installed with #10 diameter screws. These should be a stainless steel, self-drilling fastener. Fasteners should attach at each stud location horizontally, and every 24" vertically for trims.

The fasteners should be chosen to suit the appropriate wall substrate. Typical wall substrates include sheathing with wood or steel studs, CMU, or solid concrete.

## FASTENERS SHOULD PENETRATE INTO THE WALL STRUCTURE

- Wood Studs - 1.25 - 1.5" Penetration Into the Substrate.
- Steel Studs - Minimum (3) Threads past Steel Stud Interior Face
- CMU and Concrete - Consult Engineer

## THE MFTP SYSTEM REDUCES LABOR AND MATERIAL COST



### OUR COMPETITORS

A typical Trespa Pura installation uses furring strips to create a ventilated cavity. This can cause problems with trapped moisture and can lead to rot and mold to grow in the structure. Furring walls can also increase labor and material costs, unlike using a system that creates a natural cavity.



### THE MFTP SYSTEM

Installing the cladding with the Monarch system provides direct labor and material cost savings to the installer while also avoiding the ordering, handling, cutting, and fastening of 1x furring strips. These wood furring strips can degrade over time and hold moisture against the building substrate.



# HORIZONTAL INSTALLATION GUIDE



## DISCLAIMER

Trespa Pura must be installed over a suitable weather resistive barrier, suitable to the climate and building environment. Monarch recommends using a black or dark colored membrane, such as a membrane designed for open-joint cladding.

## IMPORTANT NOTE

Control lines and/or story poles are recommended to ensure proper alignment around the building. This applies to both horizontal and vertical MFTP installations. MFTP system installation should be completed by a professional.



## 1 | PREPARE YOUR SUBSTRATE

Use a laser, chalkline, etc. to create control lines around the perimeter of the building for the MFTPSR. We recommend placing the bottom of the starter rail flush with the bottom of the sheathing. The Trespa Pura planks will then overlap the MFTP by approximately 7/16”.

**Note:** Starter rail and trims can both be installed first, depending on installer preference. Installation of MFTPSR first requires trims be notched around the MFTPSR. Installation of trims (MFTPIC, MFTPET, and MFTPOC) first requires angled cuts of the MFTPSR.



## 2 | INSTALL THE PERIMETER

Using the control line set in Step 1, place your first section of the MFTPSR rail against the wall, fastening with #10 self-drilling screws. These should be stainless steel, and long enough to penetrate into the studs. The starter rail should be attached at each stud, 16-24” O.C max, and should be level. Continue installation around the perimeter of the building.

**Alternative Installation Note:** Install each trim in their appropriate locations using #10 fasteners, long enough to penetrate the studs by 1-1.5”. These trims can be shimmed up to 1/8”. Placement of the fastener on each flange can be determined by the installer.



## 3 | FIRST COURSE OF SIDING

The Trespa Pura planks fit into the MFTPSR, and will rest on the upturned leg. The plank will already be level, once the horizontal placement is set, it will be locked down with MFTP2.0 Clips.

Install MFTP2.0 clips at 16-24” intervals, matching the structural stud spacing. This requires (1) fastener per clip, as described in the “Recommended Fasteners” page above.



# HORIZONTAL INSTALLATION GUIDE

## 4 | FIRST COURSE OF SIDING CONT.

Each Trespa Pura plank requires a fixed location, apply an adhesive to the small pockets of the clips as shown.

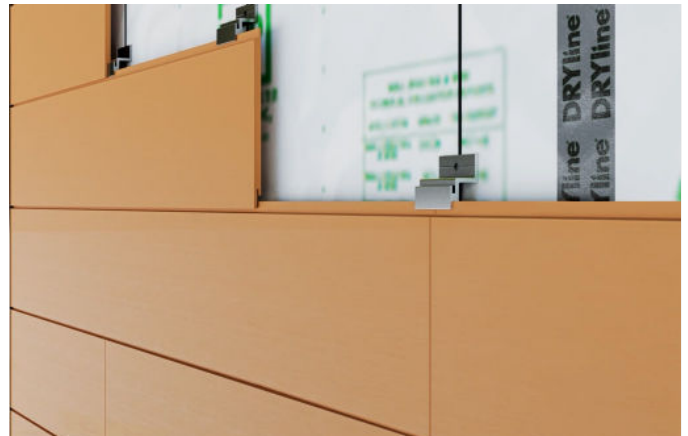
We recommend using an acrylic or polyurethane construction adhesive that is approved for aluminum and plastic bonding. There are many different off the shelf options available.



## 5 | FIRST COURSE OF SIDING CONT.

At the butting of two planks, (1) MFTP2.0 clip can be used to connect them.

At the trims, a minimum gap of 1/4" is required for expansion and contraction. Repeat all steps above for every successive course.

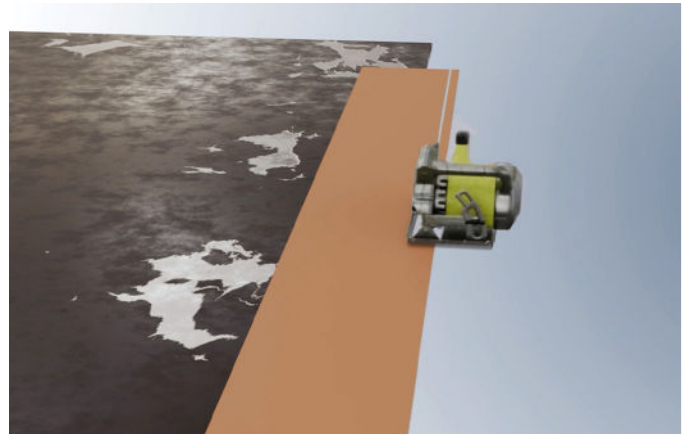


## 6 | TOP OF WALLS

If the final Trespa Pura plank has to be ripped down to fit, the MFTP2.0 clip will be used to close the system, and provide a thru-attachment point for the planks. This profile is vented, and maintains the ventilation through the system.

Once the plank is scribed and ripped to fit, mark and place the MFTP2.0. It will attach to the wall substrate with #10 fasteners.

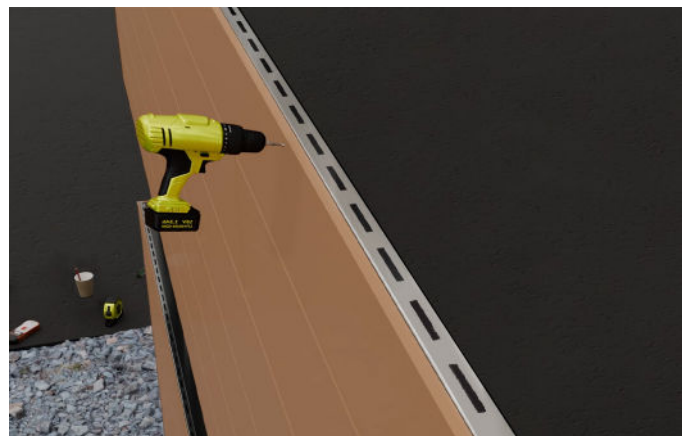
Mark and drill thru-holes in the final plank for color-matched fasteners.



## 7 | TOP OF WALLS CONT.

Place the final plank on the previous course, and using the color-matched fasteners, screw into the MFTP2.0.

If the final Trespa Pura plank is a complete plank, the system will be finished with clips.



# HORIZONTAL INSTALLATION GUIDE



## 8 | UNDER WINDOWS AND DOORS

Note: All care should be taken to time each course to align with the bottom and top of windows and doors, but when that doesn't occur, these are the steps to be taken.

If the plank needs to be notched, and the windows are larger than 24" wide, a section of the MFTPHR should be fitted, and the plank should be attached to the rail with color-matched fasteners.



## 9 | ABOVE WINDOWS AND DOORS

It's important to maintain a drained and ventilated cavity across the project, and that can be achieved in (2) ways.

**Notched Plank** - In the case of a notched plank, the MFTPHR should be used to secure the plank, similar to the "Under Windows" step.

**Full Plank** - In this scenario, a plank perfectly aligns with the head of the window. In this situation, the MFTPSR should be used to carry the course.



## 10 | ENJOY YOUR NEW TRESPA PURA PANELS

Congratulations! You have successfully installed the MFTP system. Our system simplifies the installation of Trespa Pura by eliminating the typical 1x wood furring strips, and EPDM strips, common with typical installation systems.



# VERTICAL INSTALLATION GUIDE

## 1 | PREPARE YOUR SUBSTRATE

Using a laser, chalkline, etc. to create control lines around the perimeter of the building for the MFTPVS. We recommend placing the bottom of the starter rail flush with the bottom of the sheathing. The Trespa Pura planks will then overlap the MFTP by approximately 7/16”.

**Note:** Vertical rail and trims can both be installed first, depending on installer preference. Installation of MFTPVS first requires trims be notched around the MFTPVS. Installation of trims (MFTPIC, MFTPET, and MFTPOC) first requires angled cuts of the MFTPVS.



## 2 | INSTALL THE PERIMETER

Using the control line set in Step 1, place your first section of the MFTPVS against the wall, fastening with #10 self-drilling screws. These should be stainless steel, and long enough to penetrate into the studs. The starter rail should be attached at each stud, 16-24” O.C max, and should be level. Continue installation around the perimeter of the building.

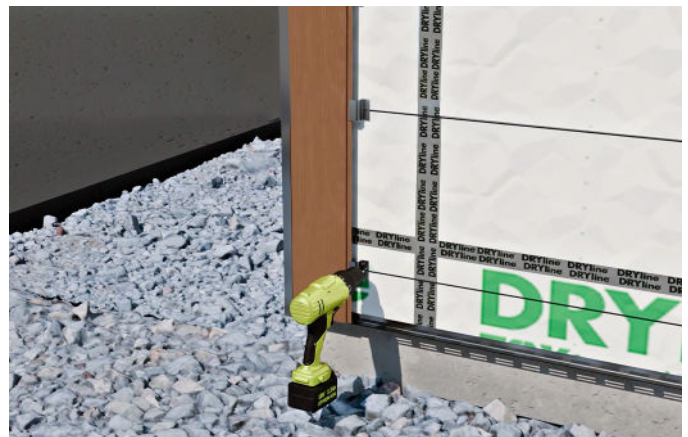
**Alternative Installation Note:** Install each trim in their appropriate locations using #10 fasteners, long enough to penetrate the studs by 1-1.5”. These trims can be shimmed up to 1/8”. Placement of the fastener on each flange can be determined by the installer.



## 3 | FIRST VERTICAL PLANK OF SIDING

The Trespa Pura planks rest onto the MFTPVS on the flat horizontal surface. The plank edge will already be level, once the horizontal placement is set, it will be locked down with MFTP2.0 Clips.

**Note:** It is recommended that the installer work from a corner, but try to time the siding with any openings. Planks can be ripped down, but should be minimized.



## 4 | FIRST VERTICAL PLANK OF SIDING CONT.

Install MFTP2.0 clips at 16-24” intervals vertically, aligned with the structural studs or furring.

This requires (1) fastener per clip, as described in the “Recommended Fasteners” area above.



# VERTICAL INSTALLATION GUIDE



## 5 | FIRST VERTICAL PLANK OF SIDING CONT.

Each Trespa Pura plank requires a fixed location, apply an adhesive to the small pockets of the clips as shown.

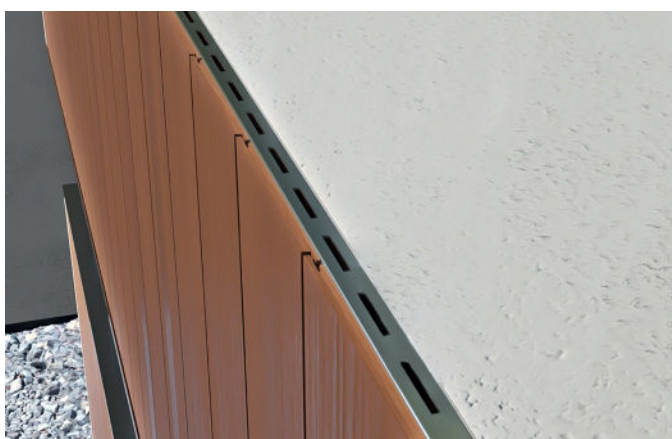
We recommend using an acrylic or polyurethane construction adhesive that is approved for aluminum and plastic bonding. There are many different off the shelf options available.



## 6 | FIRST VERTICAL PLANK OF SIDING CONT.

At the butting of two planks, (1) MFTP2.0 clip can be used to connect them.

At trims, a minimum gap of 1/4" is required for expansion and contraction. Repeat all steps above for successive course.



## 7 | TOP OF WALLS

The MFTPHR will be used to close the system, and provide a thru-attachment point for the planks. This profile is vented, and maintains the ventilation through the system.

It will attach to the wall substrate with #10 fasteners. Mark and Drill thru-holes in the final plank for color-matched fasteners.

Using the color-matched fasteners, screw into the MFTPHR.



## 8 | ENJOY YOUR NEW TRESPA PURA PANELS

Congratulations! You have successfully installed the MFTP system. Our system simplifies the installation of Trespa Pura by eliminating the typical 1x wood furring strips, and EPDM strips, common with typical installation systems.



# CONTACT MONARCH METAL

## New York

1700 Ocean Ave, Suite 2  
Ronkonkoma NY 11779  
Phone: (631) 750-3000

## Nevada

1080 Linda Way, Unit 10  
Sparks, NV 89431  
Phone: (775) 415-0100

## Texas

1330 Post & Paddock Street, Suite 100  
Grand Prairie, Texas 75050  
Phone: (945) 202-2700



[WWW.MONARCHMETAL.COM](http://WWW.MONARCHMETAL.COM)

---

## MFTPSYSTEM

Version: 1.6  
Date: 12-19-2025



**MONARCH**  
METAL INC.