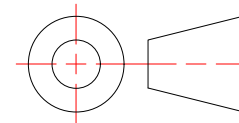


Created By: amh	Approved By:	Sheet Size A	Sheet No. 1/12
Creation Date: 6/29/2023	Approval Date:	Scale 2 : 1	Rev 1



MZEE-16-1-S-96
16ga, 1" Tall, Solid Zee Girt

Weight: 6.554 lbmass
Steel, Galvanized
Finish:



MONARCH
METAL INC.

PROPRIETARY AND CONFIDENTIAL

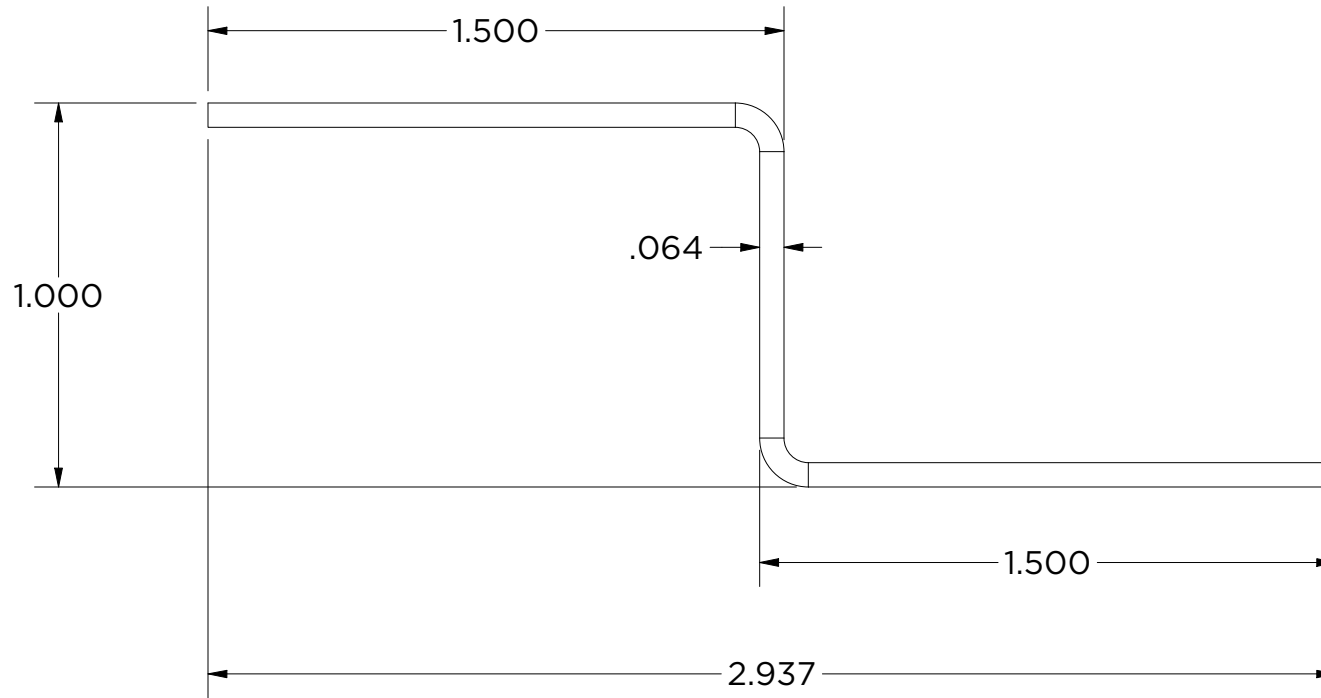
THE INFORMATION CONTAINED IN THIS DRAWING IS THE SOLE PROPERTY OF MONARCH METAL FABRICATION. ANY REPRODUCTION IN PART OR AS A WHOLE WITHOUT THE WRITTEN PERMISSION OF MONARCH METAL INC. IS PROHIBITED.

New York
1700 Ocean Ave Suite 2
Ronkonkoma NY 11779
Phone: (631) 750-3000

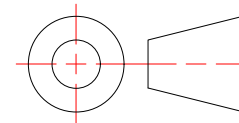
Nevada
1080 Linda Way, Unit 10
Sparks, NV 89431
Phone: (775) 415-0100

Texas
1330 Post & Paddock St.,
Suite 800
Grand Prairie, TX 75050
(945) 202-2700

monarchmetal.com



Created By: amh	Approved By:	Sheet Size A	Sheet No. 2/12
Creation Date: 6/29/2023	Approval Date:	Scale 2 : 1	Rev 1



MZEE-16-1-S-120
16ga, 1" Tall, Solid Zee Girt

Weight: 8.193 lbmass
Steel, Galvanized
Finish:



MONARCH
METAL INC.

PROPRIETARY AND CONFIDENTIAL

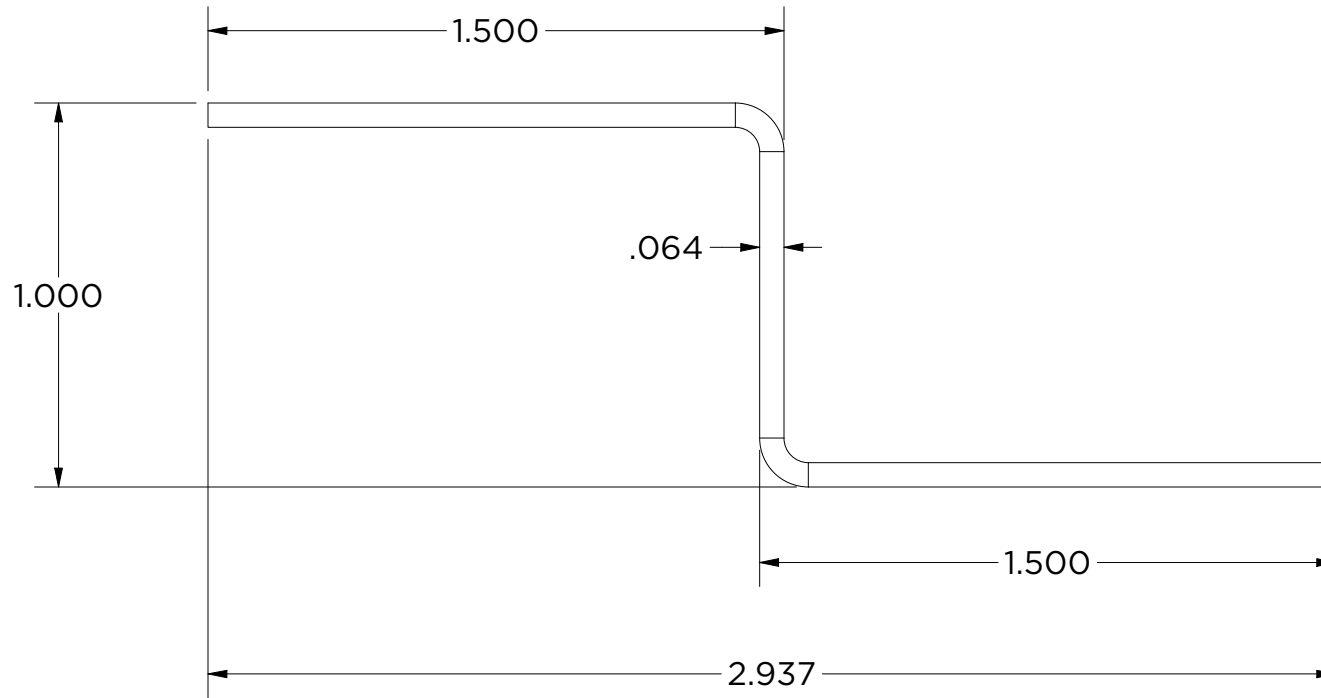
THE INFORMATION CONTAINED IN THIS DRAWING IS THE SOLE PROPERTY OF MONARCH METAL FABRICATION. ANY REPRODUCTION IN PART OR AS A WHOLE WITHOUT THE WRITTEN PERMISSION OF MONARCH METAL INC. IS PROHIBITED.

New York
1700 Ocean Ave Suite 2
Ronkonkoma NY 11779
Phone: (631) 750-3000

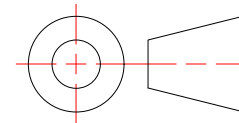
Nevada
1080 Linda Way, Unit 10
Sparks, NV 89431
Phone: (775) 415-0100

Texas
1330 Post & Paddock St.,
Suite 800
Grand Prairie, TX 75050
(945) 202-2700

monarchmetal.com



Created By: amh	Approved By:	Sheet Size A	Sheet No. 3/12
Creation Date: 6/29/2023	Approval Date:	Scale 2 : 1	Rev 1



MZEE-16-1-S-144
16ga, 1" Tall, Solid Zee Girt

Weight: 9.832 lbmass
Steel, Galvanized
Finish:



MONARCH
METAL INC.

PROPRIETARY AND CONFIDENTIAL

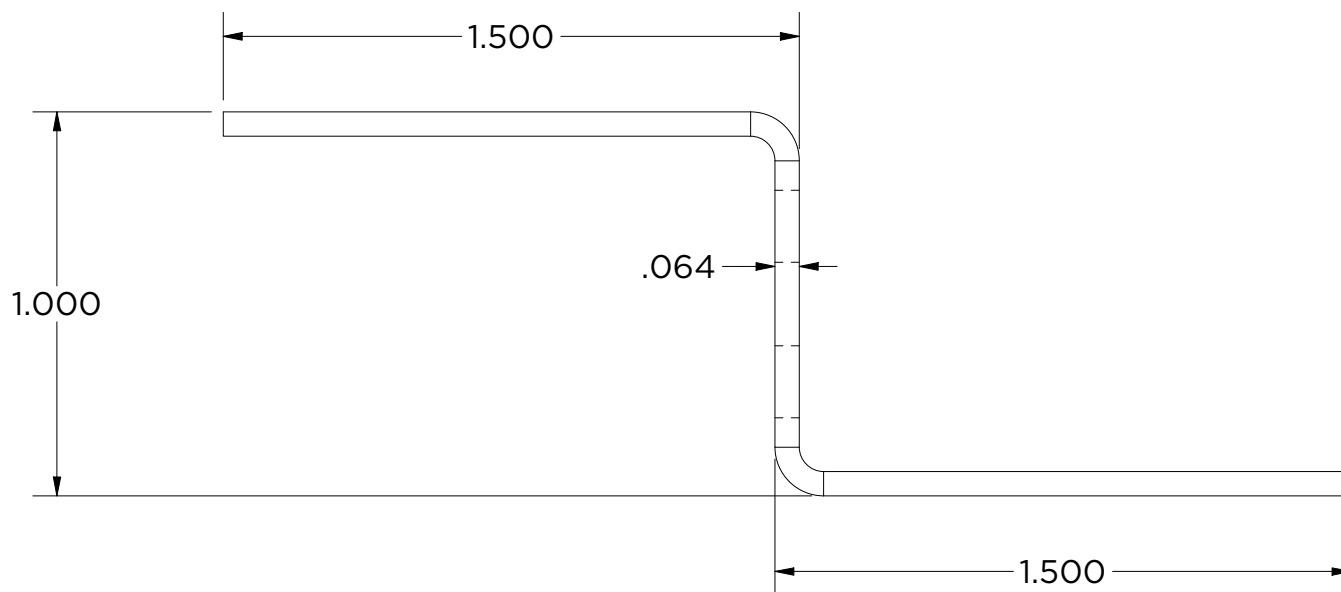
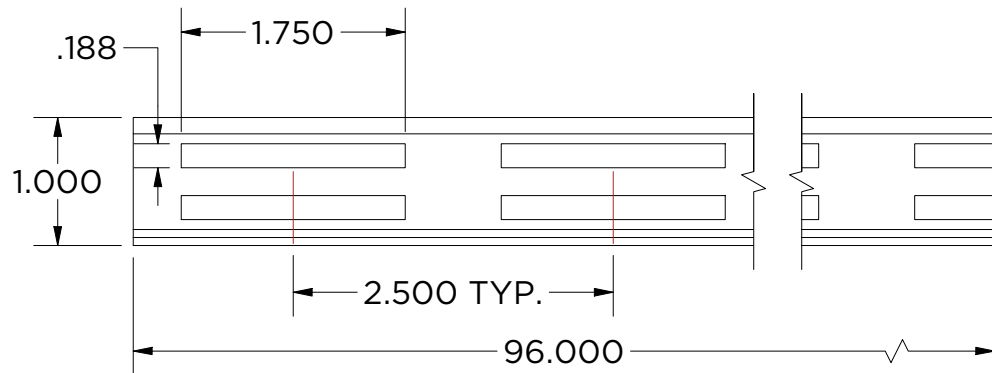
THE INFORMATION CONTAINED IN THIS DRAWING IS THE SOLE PROPERTY OF MONARCH METAL FABRICATION. ANY REPRODUCTION IN PART OR AS A WHOLE WITHOUT THE WRITTEN PERMISSION OF MONARCH METAL INC. IS PROHIBITED.

New York
1700 Ocean Ave Suite 2
Ronkonkoma NY 11779
Phone: (631) 750-3000

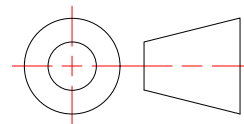
Nevada
1080 Linda Way, Unit 10
Sparks, NV 89431
Phone: (775) 415-0100

Texas
1330 Post & Paddock St.,
Suite 800
Grand Prairie, TX 75050
(945) 202-2700

monarchmetal.com



Created By: amh	Approved By:	Sheet Size A	Sheet No. 4/12
Creation Date: 6/29/2023	Approval Date:	Scale 2 : 1	Rev 1



MZEE-16-1-V-96

16ga, 1" Tall, Ventilated Zee Girt ~32% Open Rate

Weight: 6.101 lbmass

Steel, Galvanized

Finish:



MONARCH
METAL INC.

PROPRIETARY AND CONFIDENTIAL

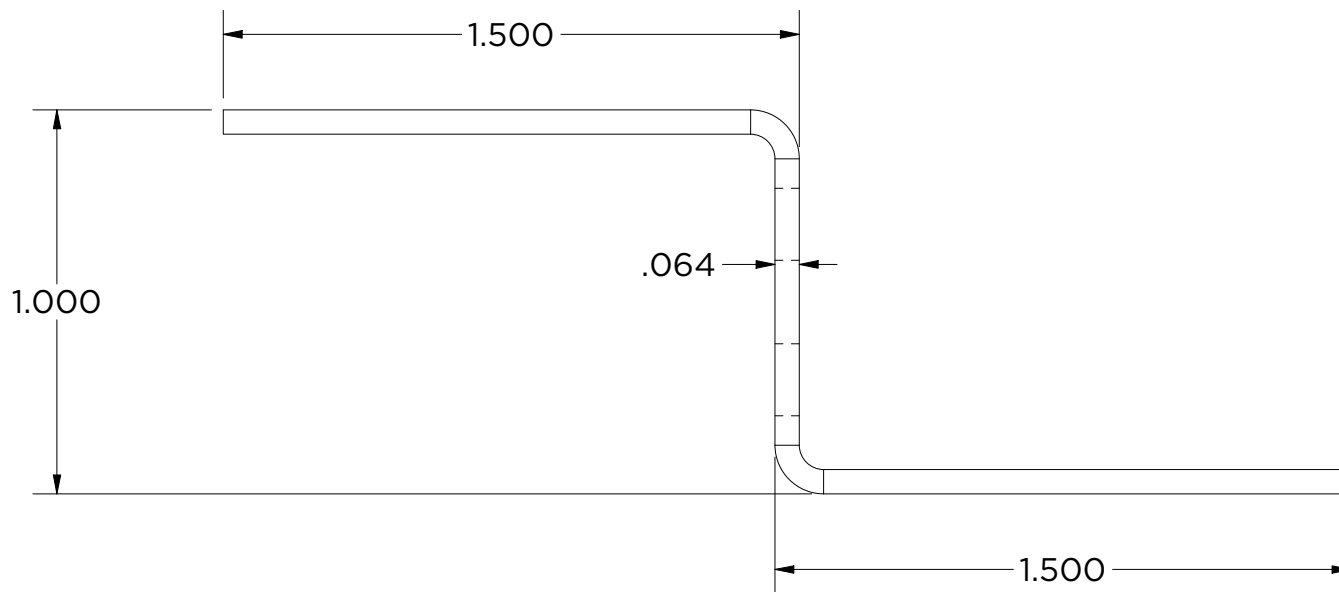
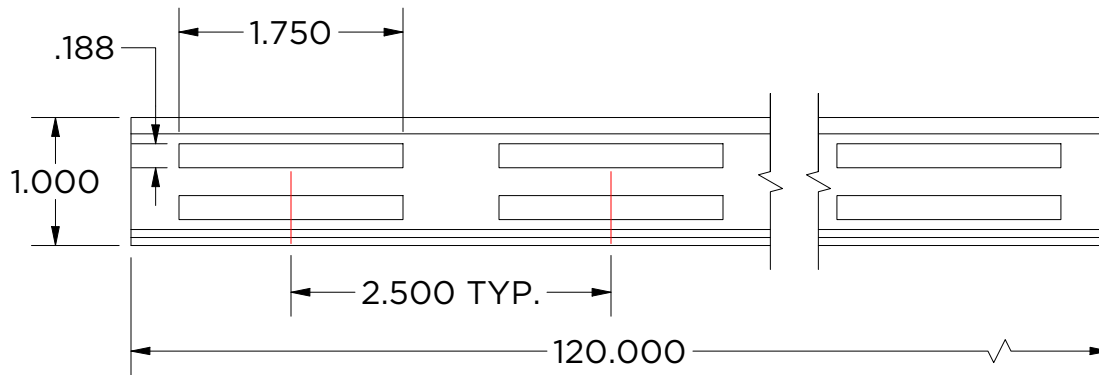
THE INFORMATION CONTAINED IN THIS DRAWING IS THE SOLE PROPERTY OF MONARCH METAL FABRICATION. ANY REPRODUCTION IN PART OR AS A WHOLE WITHOUT THE WRITTEN PERMISSION OF MONARCH METAL INC. IS PROHIBITED.

New York
1700 Ocean Ave Suite 2
Ronkonkoma NY 11779
Phone: (631) 750-3000

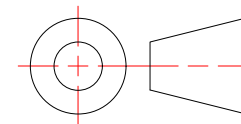
Nevada
1080 Linda Way, Unit 10
Sparks, NV 89431
Phone: (775) 415-0100

Texas
1330 Post & Paddock St.,
Suite 800
Grand Prairie, TX 75050
(945) 202-2700

monarchmetal.com



Created By: amh	Approved By:	Sheet Size A	Sheet No. 5/12
Creation Date: 6/29/2023	Approval Date:	Scale 2 : 1	Rev 1



MZEE-16-1-V-120

16ga, 1" Tall, Ventilated Zee Girt ~32% Open Rate

Weight: 7.626 lbmass

Steel, Galvanized

Finish:



MONARCH
METAL INC.

PROPRIETARY AND CONFIDENTIAL

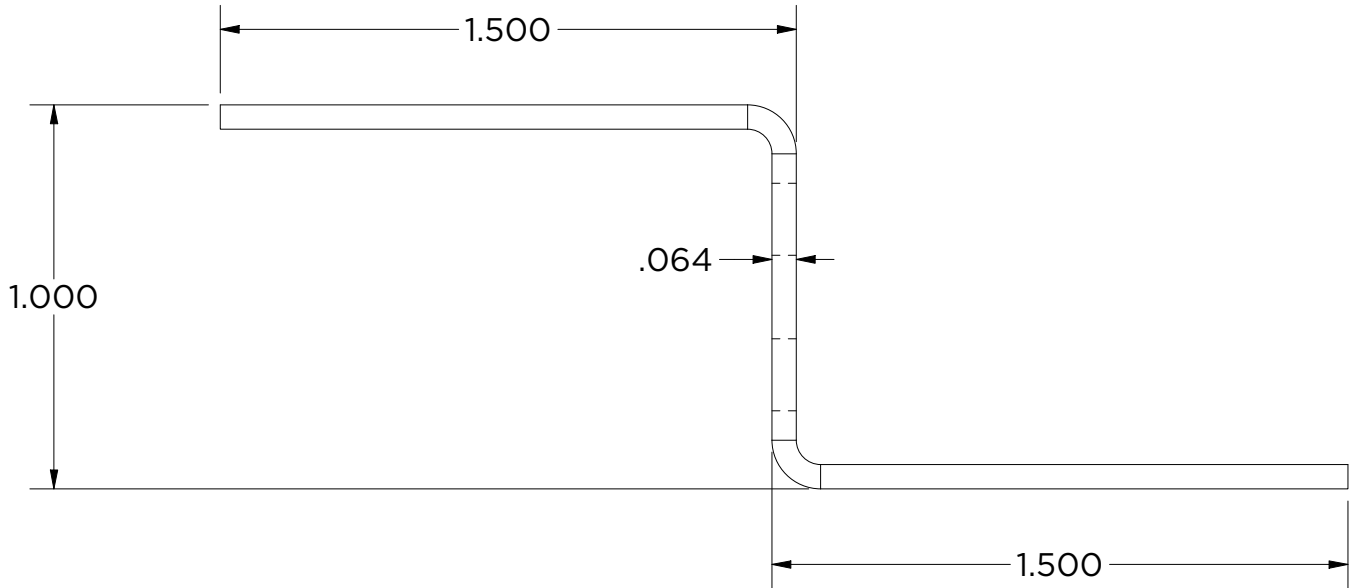
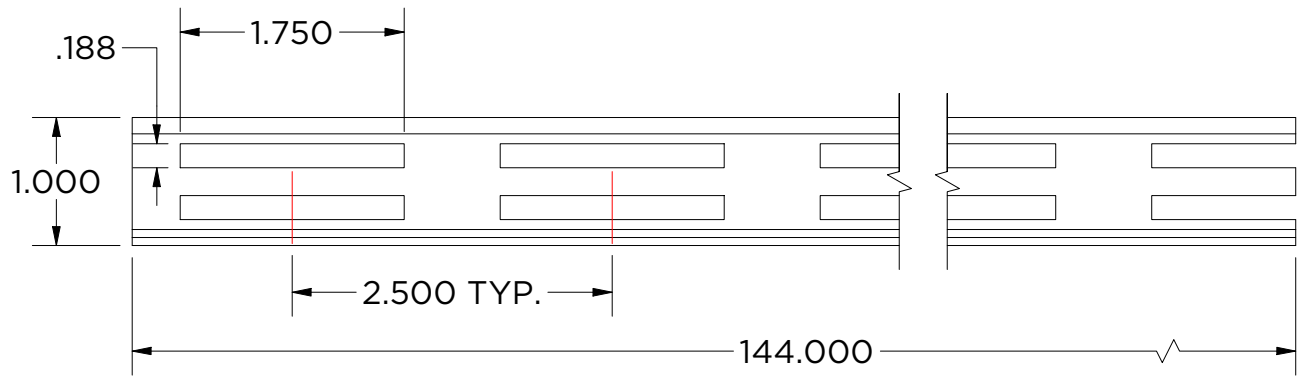
THE INFORMATION CONTAINED IN THIS DRAWING IS THE SOLE PROPERTY OF MONARCH METAL FABRICATION. ANY REPRODUCTION IN PART OR AS A WHOLE WITHOUT THE WRITTEN PERMISSION OF MONARCH METAL INC. IS PROHIBITED.

New York
1700 Ocean Ave Suite 2
Ronkonkoma NY 11779
Phone: (631) 750-3000

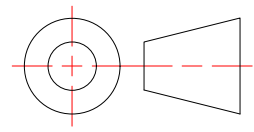
Nevada
1080 Linda Way, Unit 10
Sparks, NV 89431
Phone: (775) 415-0100

Texas
1330 Post & Paddock St.,
Suite 800
Grand Prairie, TX 75050
(945) 202-2700

monarchmetal.com



Created By: amh	Approved By:	Sheet Size A	Sheet No. 6/12
Creation Date: 6/29/2023	Approval Date:	Scale 2 : 1	Rev 1



MZEE-16-1-V-144
 16ga, 1" Tall, Ventilated Zee Girt ~32% Open Rate
 Weight: 9.150 lbmass
 Steel, Galvanized
 Finish:

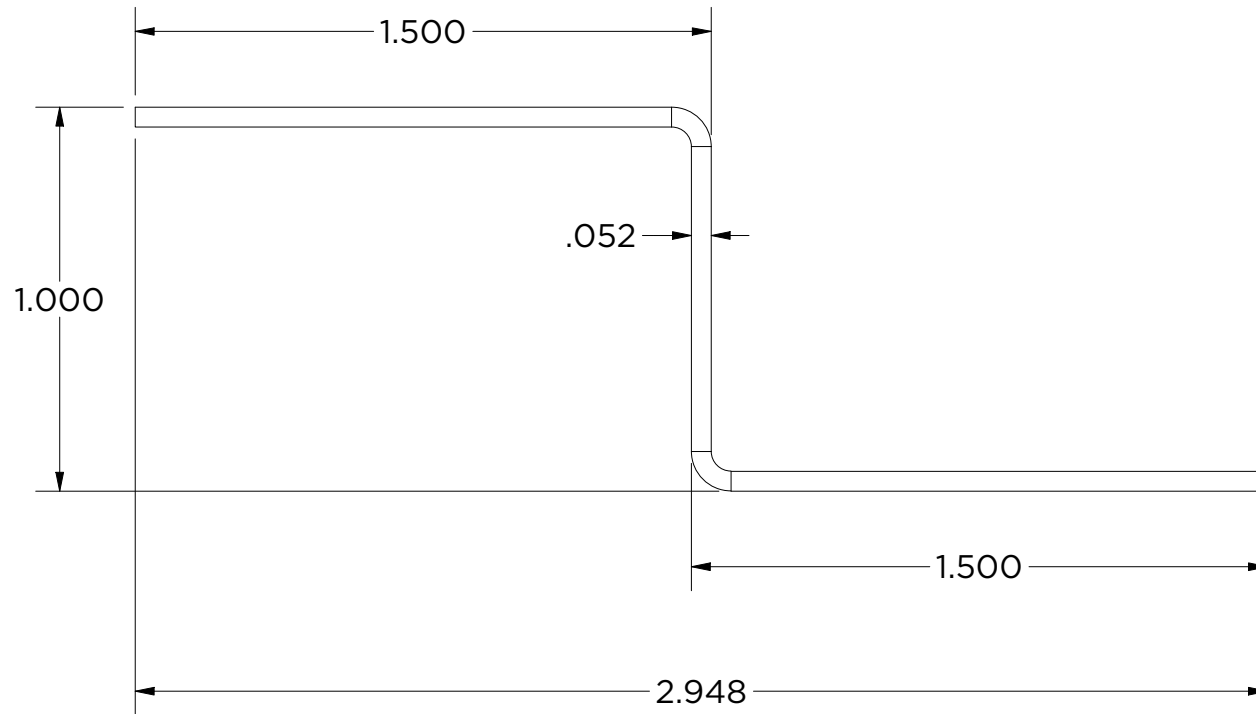


MONARCH
 METAL INC.

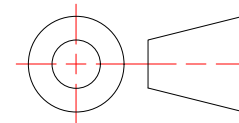
PROPRIETARY AND CONFIDENTIAL
 THE INFORMATION CONTAINED IN THIS DRAWING IS THE SOLE PROPERTY OF MONARCH METAL FABRICATION. ANY REPRODUCTION IN PART OR AS A WHOLE WITHOUT THE WRITTEN PERMISSION OF MONARCH METAL INC. IS PROHIBITED.

New York 1700 Ocean Ave Suite 2 Ronkonkoma NY 11779 Phone: (631) 750-3000
Nevada 1080 Linda Way, Unit 10 Sparks, NV 89431 Phone: (775) 415-0100
Texas 1330 Post & Paddock St., Suite 800 Grand Prairie, TX 75050 (945) 202-2700

monarchmetal.com



Created By: amh	Approved By:	Sheet Size A	Sheet No. 7/12
Creation Date: 6/29/2023	Approval Date:	Scale 2 : 1	Rev 1



MZEE-18-1-S-96

18ga, 1" Tall, Solid Zee Girt

Weight: 5.381 lbmass
Steel, Galvanized
Finish:



MONARCH
METAL INC.

PROPRIETARY AND CONFIDENTIAL

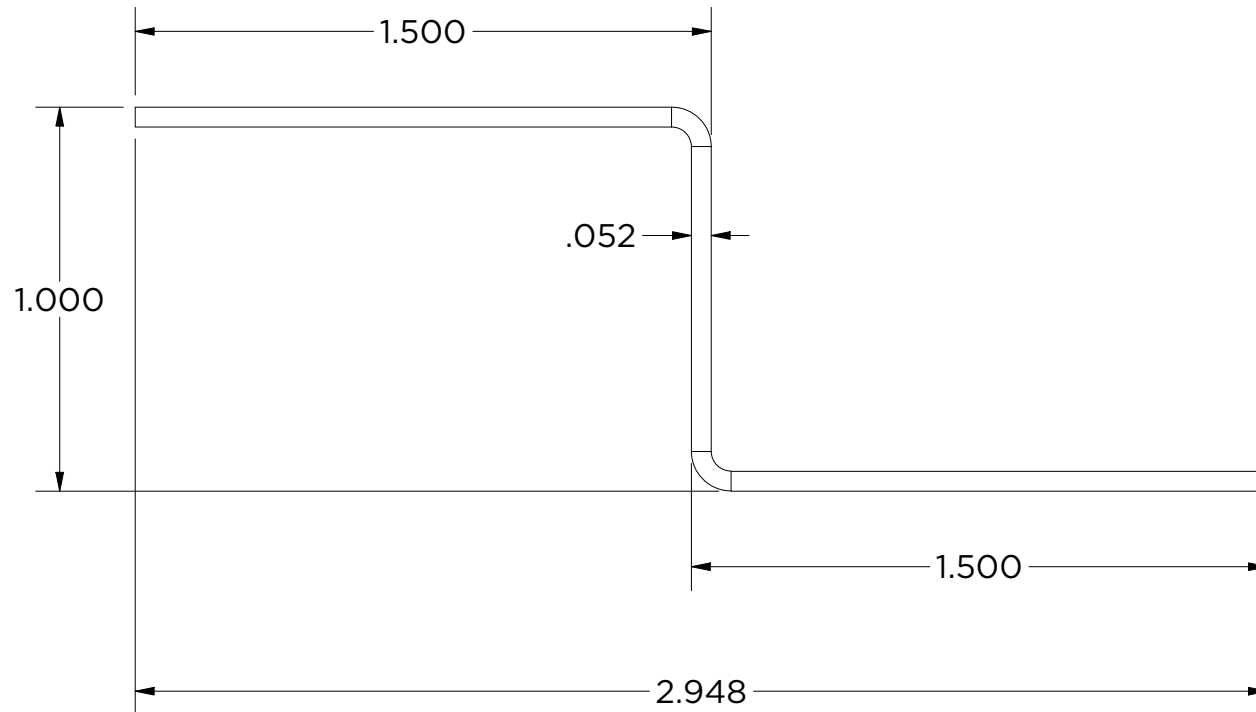
THE INFORMATION CONTAINED IN THIS DRAWING IS THE SOLE PROPERTY OF MONARCH METAL FABRICATION. ANY REPRODUCTION IN PART OR AS A WHOLE WITHOUT THE WRITTEN PERMISSION OF MONARCH METAL INC. IS PROHIBITED.

New York
1700 Ocean Ave Suite 2
Ronkonkoma NY 11779
Phone: (631) 750-3000

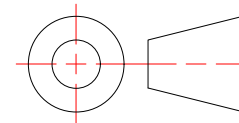
Nevada
1080 Linda Way, Unit 10
Sparks, NV 89431
Phone: (775) 415-0100

Texas
1330 Post & Paddock St.,
Suite 800
Grand Prairie, TX 75050
(945) 202-2700

monarchmetal.com



Created By: amh	Approved By:	Sheet Size A	Sheet No. 8/12
Creation Date: 6/29/2023	Approval Date:	Scale 2 : 1	Rev 1



MZEE-18-1-S-120
18ga, 1" Tall, Solid Zee Girt

Weight: 6.726 lbmass
Steel, Galvanized
Finish:



MONARCH
METAL INC.

PROPRIETARY AND CONFIDENTIAL

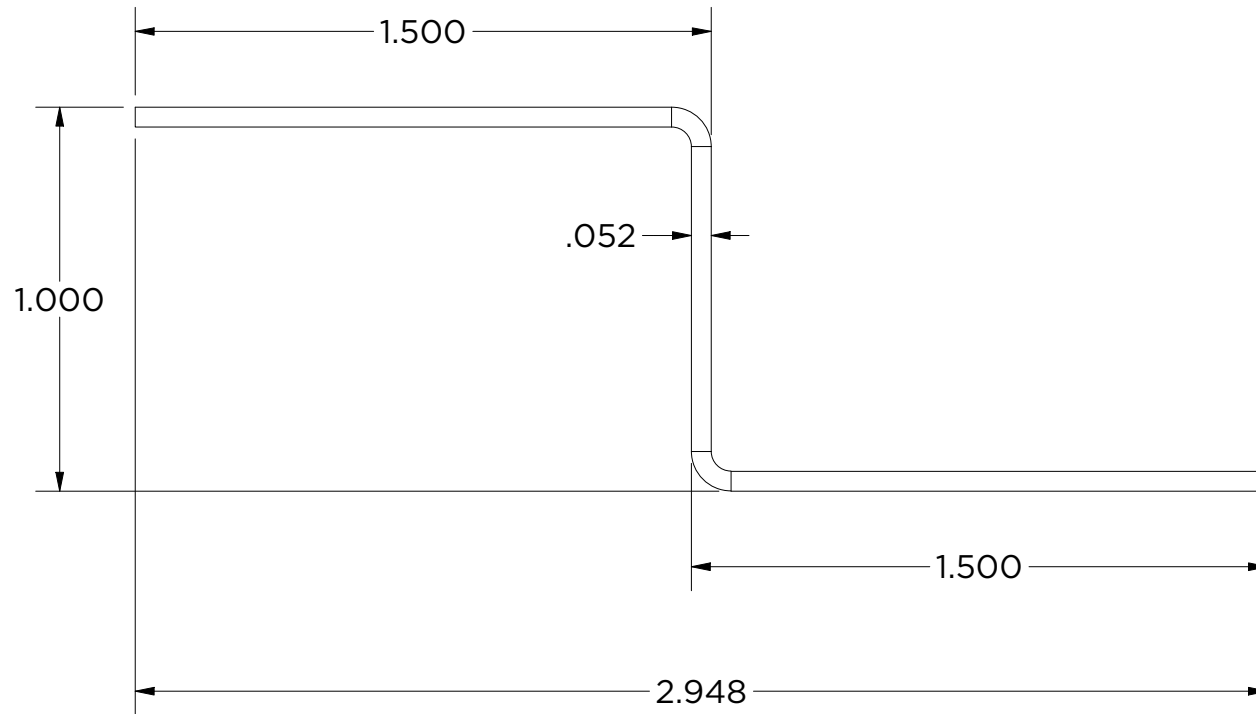
THE INFORMATION CONTAINED IN THIS DRAWING IS THE SOLE PROPERTY OF MONARCH METAL FABRICATION. ANY REPRODUCTION IN PART OR AS A WHOLE WITHOUT THE WRITTEN PERMISSION OF MONARCH METAL INC. IS PROHIBITED.

New York
1700 Ocean Ave Suite 2
Ronkonkoma NY 11779
Phone: (631) 750-3000

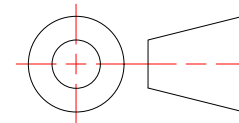
Nevada
1080 Linda Way, Unit 10
Sparks, NV 89431
Phone: (775) 415-0100

Texas
1330 Post & Paddock St.,
Suite 800
Grand Prairie, TX 75050
(945) 202-2700

monarchmetal.com



Created By: amh	Approved By:	Sheet Size A	Sheet No. 9/12
Creation Date: 6/29/2023	Approval Date:	Scale 2 : 1	Rev 1



MZEE-18-1-S-144
18ga, 1" Tall, Solid Zee Girt

Weight: 8.072 lbmass
Steel, Galvanized
Finish:



MONARCH
METAL INC.

PROPRIETARY AND CONFIDENTIAL

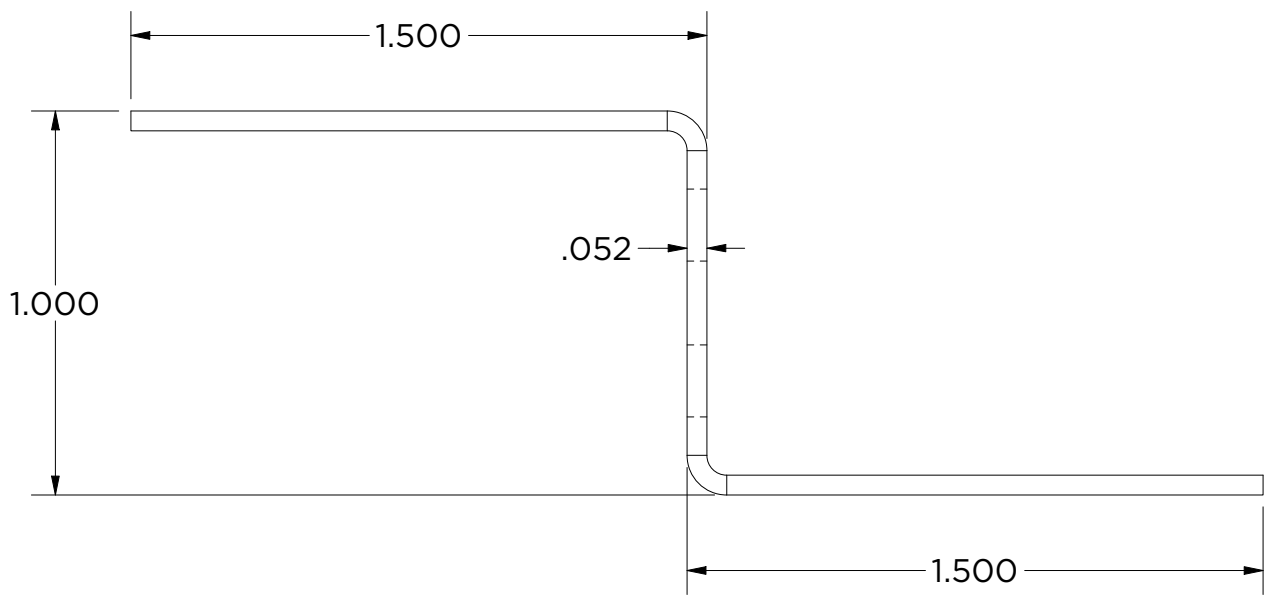
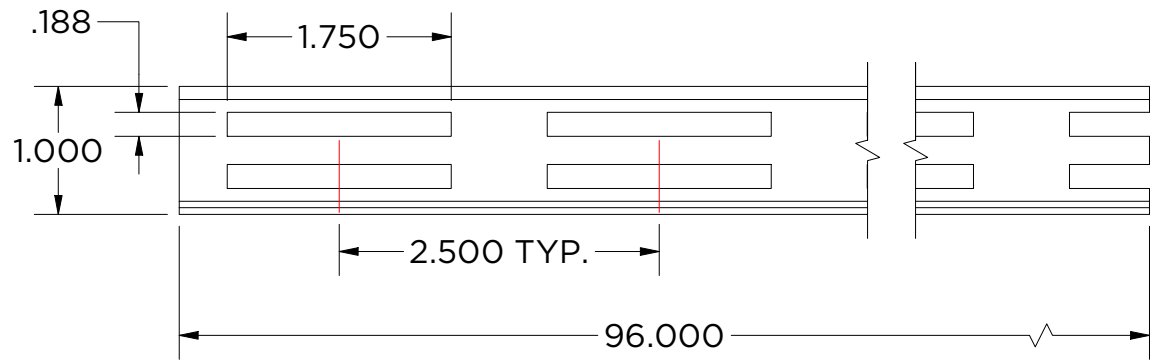
THE INFORMATION CONTAINED IN THIS DRAWING IS THE SOLE PROPERTY OF MONARCH METAL FABRICATION. ANY REPRODUCTION IN PART OR AS A WHOLE WITHOUT THE WRITTEN PERMISSION OF MONARCH METAL INC. IS PROHIBITED.

New York
1700 Ocean Ave Suite 2
Ronkonkoma NY 11779
Phone: (631) 750-3000

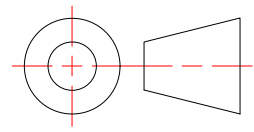
Nevada
1080 Linda Way, Unit 10
Sparks, NV 89431
Phone: (775) 415-0100

Texas
1330 Post & Paddock St.,
Suite 800
Grand Prairie, TX 75050
(945) 202-2700

monarchmetal.com



Created By: amh	Approved By:	Sheet Size A	Sheet No. 10/12
Creation Date: 6/29/2023	Approval Date:	Scale 2 : 1	Rev 1



MZEE-18-1-V-96
 18ga, 1" Tall, Ventilated Zee Girt ~ 32% Open Rate
 Weight: 5.013 lbmass
 Steel, Galvanized
 Finish:

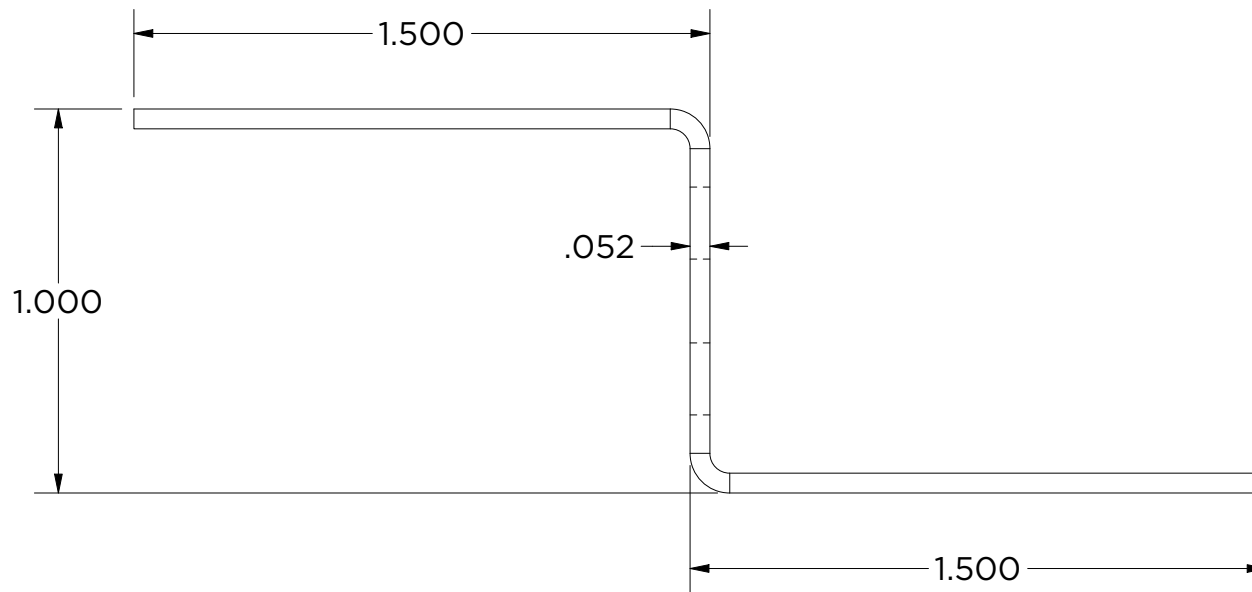
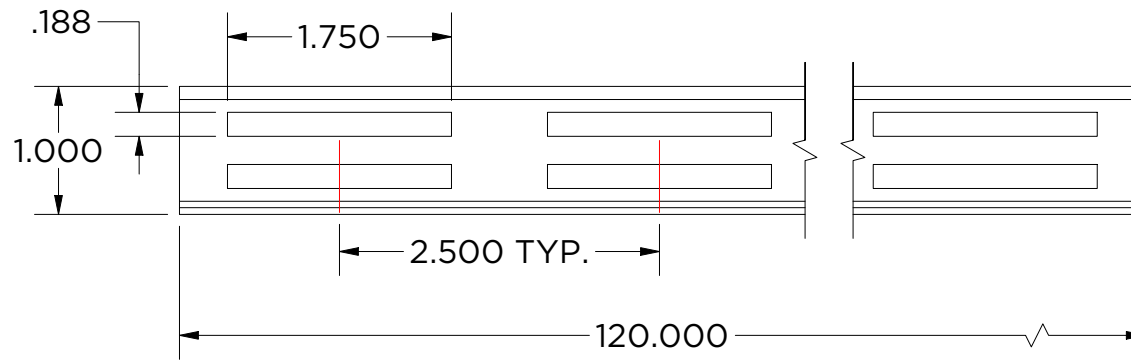


MONARCH
 METAL INC.

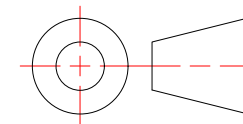
PROPRIETARY AND CONFIDENTIAL
 THE INFORMATION CONTAINED IN THIS DRAWING IS THE SOLE PROPERTY OF MONARCH METAL FABRICATION. ANY REPRODUCTION IN PART OR AS A WHOLE WITHOUT THE WRITTEN PERMISSION OF MONARCH METAL INC. IS PROHIBITED.

New York 1700 Ocean Ave Suite 2 Ronkonkoma NY 11779 Phone: (631) 750-3000
Nevada 1080 Linda Way, Unit 10 Sparks, NV 89431 Phone: (775) 415-0100
Texas 1330 Post & Paddock St., Suite 800 Grand Prairie, TX 75050 (945) 202-2700

monarchmetal.com



Created By: amh	Approved By:	Sheet Size A	Sheet No. 11/12
Creation Date: 6/29/2023	Approval Date:	Scale 2 : 1	Rev 1



MZEE-18-1-V-120

18ga, 1" Tall, Ventilated Zee Girt ~ 32% Open Rate

Weight: 6.265 lbmass

Steel, Galvanized

Finish:



MONARCH
METAL INC.

PROPRIETARY AND CONFIDENTIAL

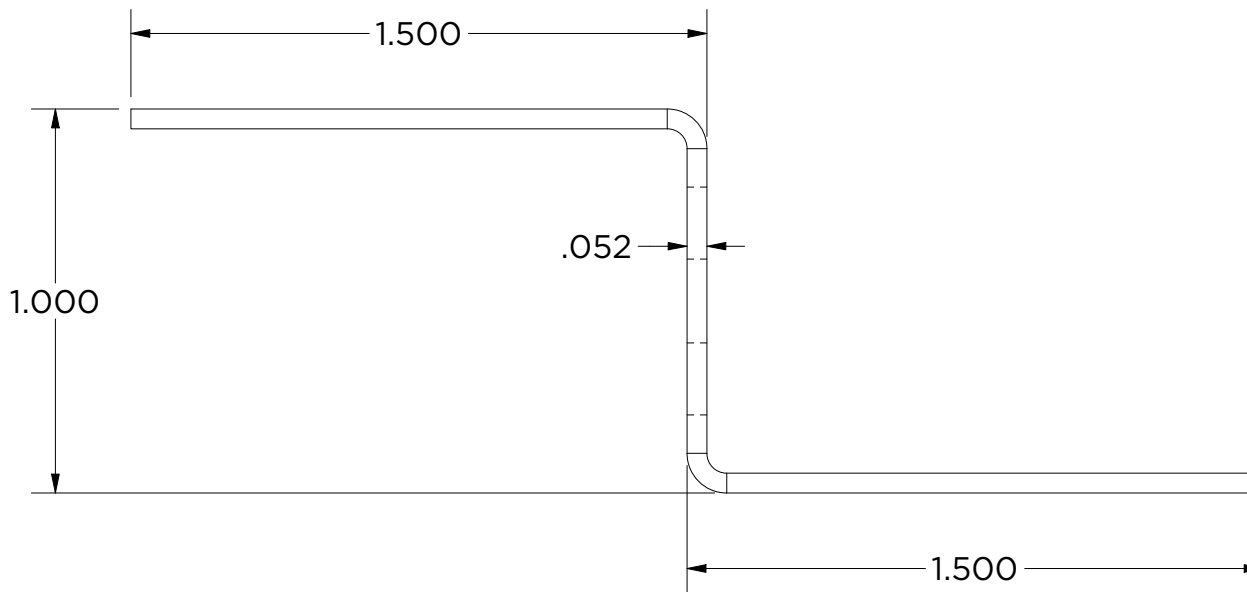
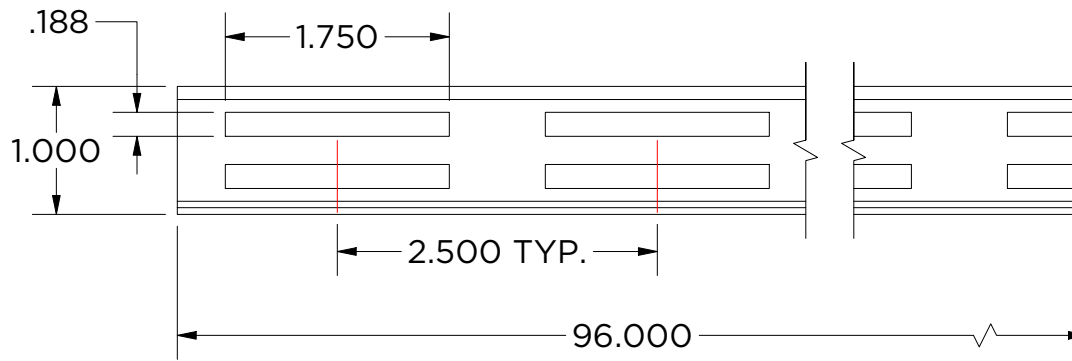
THE INFORMATION CONTAINED IN THIS DRAWING IS THE SOLE PROPERTY OF MONARCH METAL FABRICATION. ANY REPRODUCTION IN PART OR AS A WHOLE WITHOUT THE WRITTEN PERMISSION OF MONARCH METAL INC. IS PROHIBITED.

New York
1700 Ocean Ave Suite 2
Ronkonkoma NY 11779
Phone: (631) 750-3000

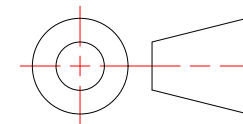
Nevada
1080 Linda Way, Unit 10
Sparks, NV 89431
Phone: (775) 415-0100

Texas
1330 Post & Paddock St.,
Suite 800
Grand Prairie, TX 75050
(945) 202-2700

monarchmetal.com



Created By: amh	Approved By:	Sheet Size A	Sheet No. 12/12
Creation Date: 6/29/2023	Approval Date:	Scale 2 : 1	Rev 1



MZEE-18-1-V-144

18ga, 1" Tall, Ventilated Zee Girt ~ 32% Open Rate

Weight: 6.265 lbmass

Steel, Galvanized

Finish:



MONARCH
METAL INC.

PROPRIETARY AND CONFIDENTIAL

THE INFORMATION CONTAINED IN THIS DRAWING IS THE SOLE PROPERTY OF MONARCH METAL FABRICATION. ANY REPRODUCTION IN PART OR AS A WHOLE WITHOUT THE WRITTEN PERMISSION OF MONARCH METAL INC. IS PROHIBITED.

New York
1700 Ocean Ave Suite 2
Ronkonkoma NY 11779
Phone: (631) 750-3000

Nevada
1080 Linda Way, Unit 10
Sparks, NV 89431
Phone: (775) 415-0100

Texas
1330 Post & Paddock St.,
Suite 800
Grand Prairie, TX 75050
(945) 202-2700

monarchmetal.com