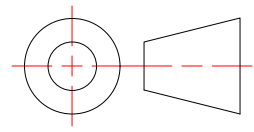


Created By: amh	Approved By: amh	Sheet Size A	Sheet No. 1/12
Creation Date: 6/29/2023	Approval Date: 11/29/2023	Scale 1.5:1	Rev 1



MHAT-16-1-S-96
16ga, 1" Tall, Solid Hat Channel

Weight: 10.099 lbmass
Steel, Galvanized
Finish:

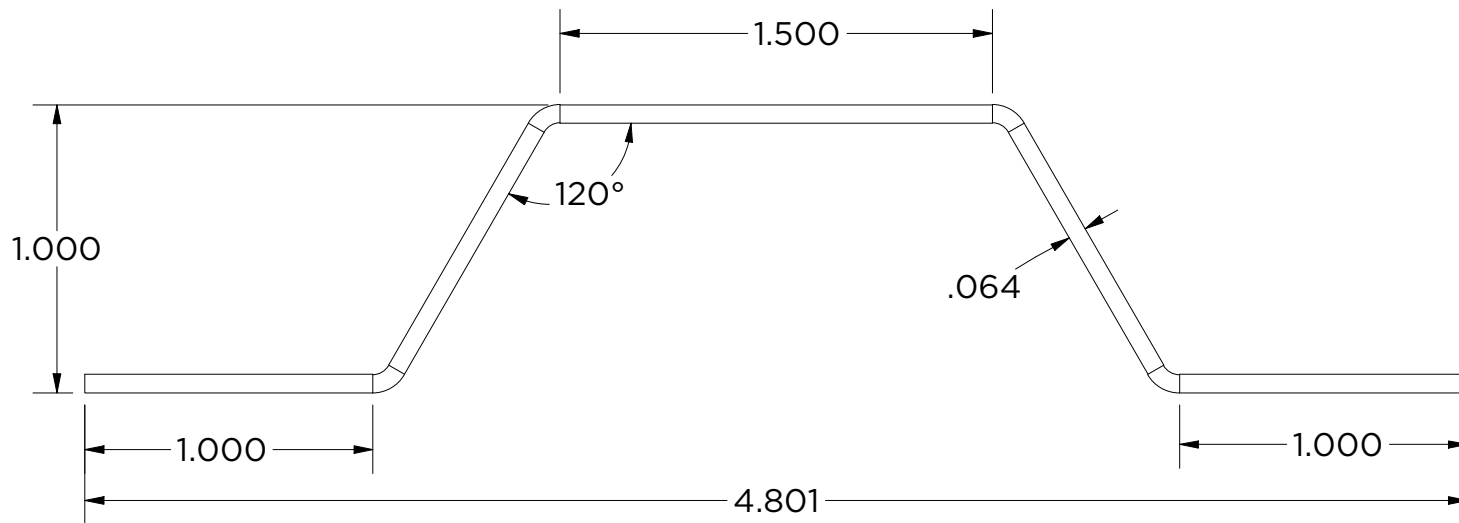


MONARCH
METAL INC.

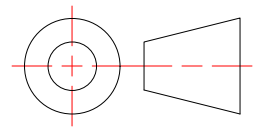
PROPRIETARY AND CONFIDENTIAL
THE INFORMATION CONTAINED IN THIS DRAWING IS THE SOLE PROPERTY OF MONARCH METAL FABRICATION. ANY REPRODUCTION IN PART OR AS A WHOLE WITHOUT THE WRITTEN PERMISSION OF MONARCH METAL INC. IS PROHIBITED.

New York 1700 Ocean Ave Suite 2 Ronkonkoma NY 11779 Phone: (631) 750-3000	Nevada 1080 Linda Way, Unit 10 Sparks, NV 89431 Phone: (775) 415-0100	Texas 1330 Post & Paddock St., Suite 800 Grand Prairie, TX 75050 (945) 202-2700
---	---	--

monarchmetal.com



Created By: amh	Approved By: amh	Sheet Size A	Sheet No. 2/12
Creation Date: 6/29/2023	Approval Date: 11/29/2023	Scale 1.5:1	Rev 1



MHAT-16-1-S-120
16ga, 1" Tall, Solid Hat Channel

Weight: 12.623 lbmass
Steel, Galvanized
Finish:

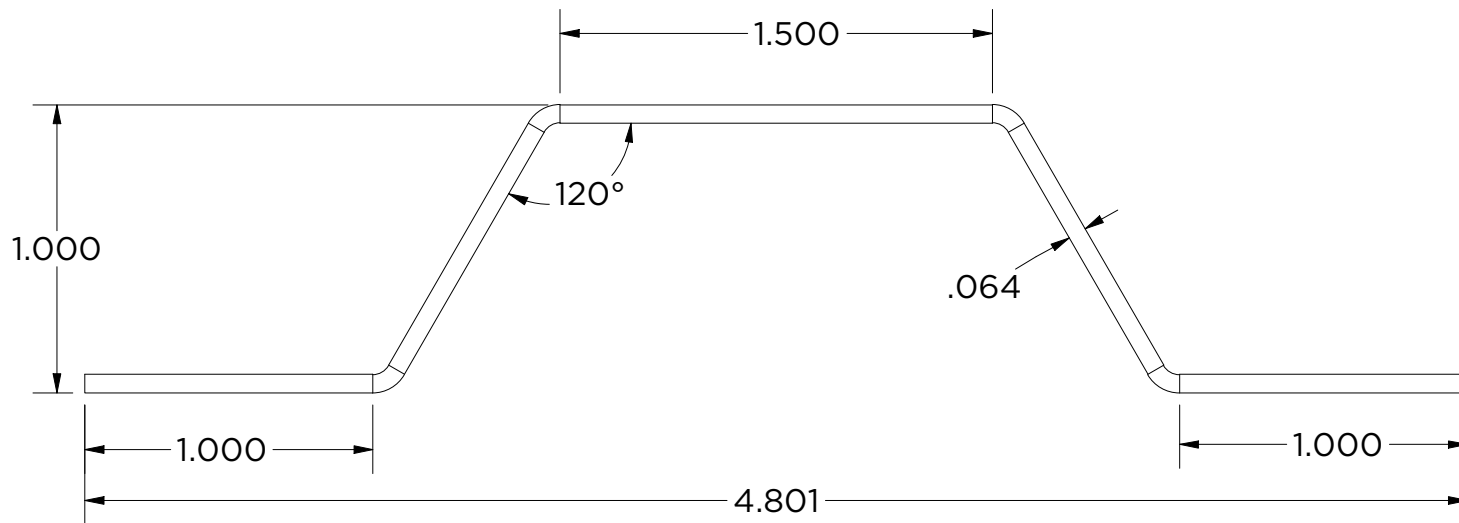


MONARCH
METAL INC.

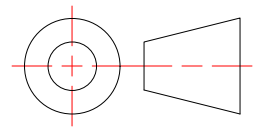
PROPRIETARY AND CONFIDENTIAL
THE INFORMATION CONTAINED IN THIS DRAWING IS THE SOLE PROPERTY OF MONARCH METAL FABRICATION. ANY REPRODUCTION IN PART OR AS A WHOLE WITHOUT THE WRITTEN PERMISSION OF MONARCH METAL INC. IS PROHIBITED.

New York 1700 Ocean Ave Suite 2 Ronkonkoma NY 11779 Phone: (631) 750-3000	Nevada 1080 Linda Way, Unit 10 Sparks, NV 89431 Phone: (775) 415-0100	Texas 1330 Post & Paddock St., Suite 800 Grand Prairie, TX 75050 (945) 202-2700
---	---	--

monarchmetal.com



Created By: amh	Approved By: amh	Sheet Size A	Sheet No. 3/12
Creation Date: 6/29/2023	Approval Date: 11/29/2023	Scale 1.5:1	Rev 1



MHAT-16-1-S-144
16ga, 1" Tall, Solid Hat Channel

Weight: 15.148 lbmass
Steel, Galvanized
Finish:

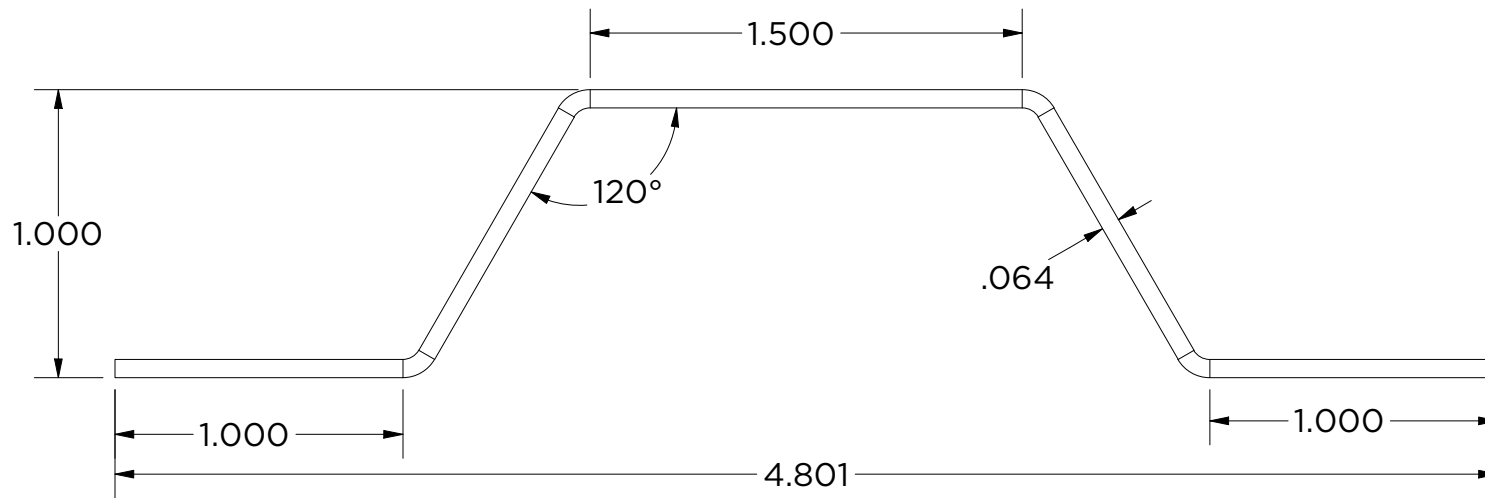
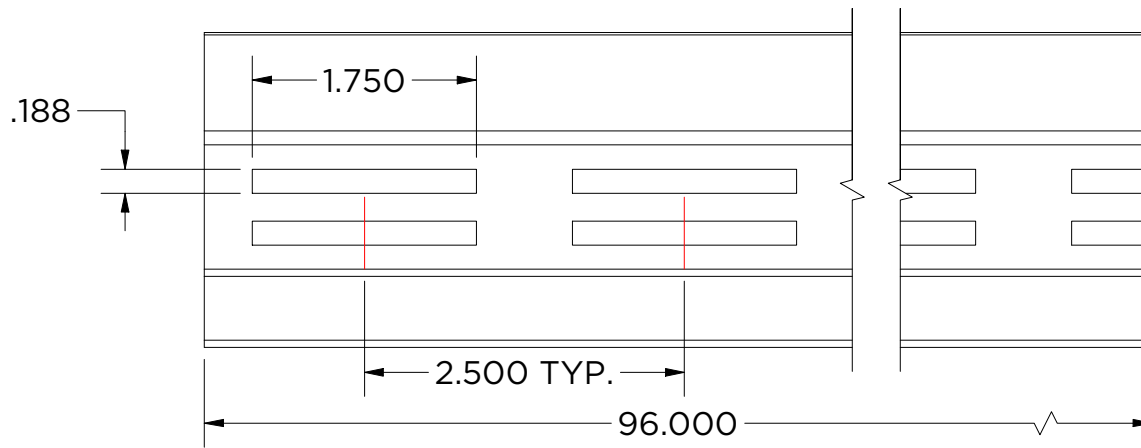


MONARCH
METAL INC.

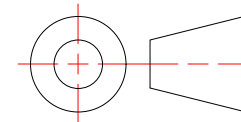
PROPRIETARY AND CONFIDENTIAL
THE INFORMATION CONTAINED IN THIS DRAWING IS THE SOLE PROPERTY OF MONARCH METAL FABRICATION. ANY REPRODUCTION IN PART OR AS A WHOLE WITHOUT THE WRITTEN PERMISSION OF MONARCH METAL INC. IS PROHIBITED.

New York 1700 Ocean Ave Suite 2 Ronkonkoma NY 11779 Phone: (631) 750-3000	Nevada 1080 Linda Way, Unit 10 Sparks, NV 89431 Phone: (775) 415-0100	Texas 1330 Post & Paddock St., Suite 800 Grand Prairie, TX 75050 (945) 202-2700
---	---	--

monarchmetal.com



Created By: amh	Approved By: amh	Sheet Size A	Sheet No. 4/12
Creation Date: 6/29/2023	Approval Date: 11/29/2023	Scale 1.5:1	Rev 1



MHAT-16-1-V-96

16ga, 1" Tall, Ventilated Hat Channel, ~27%
Open Rate
Weight: 9.192 lbmass
Steel, Galvanized
Finish:



MONARCH
METAL INC.

PROPRIETARY AND CONFIDENTIAL

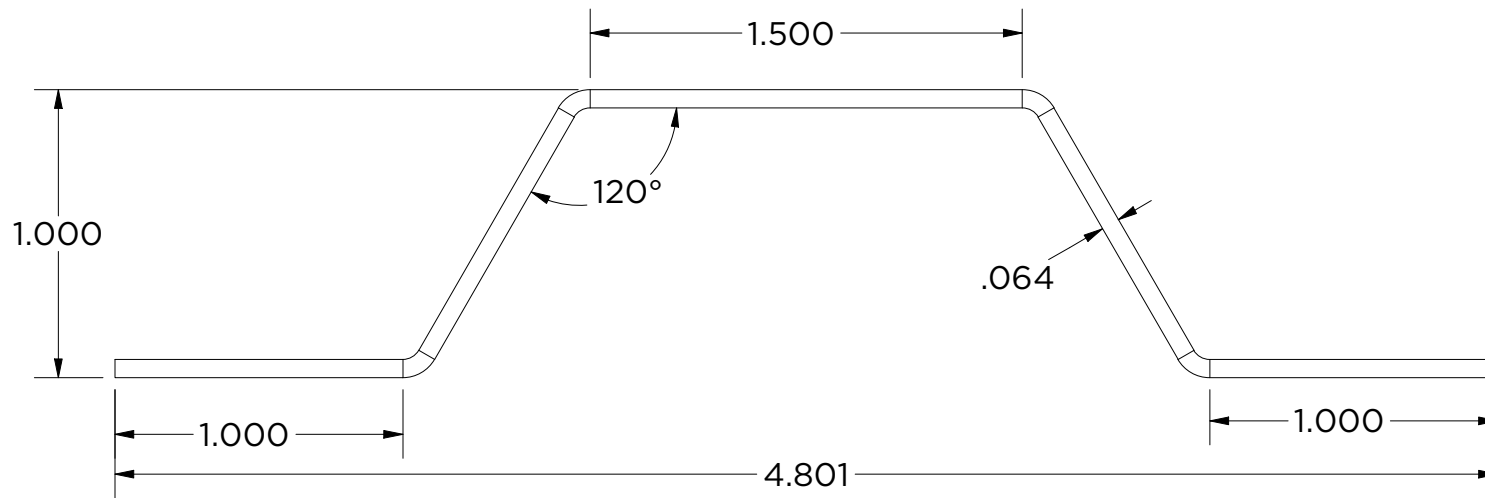
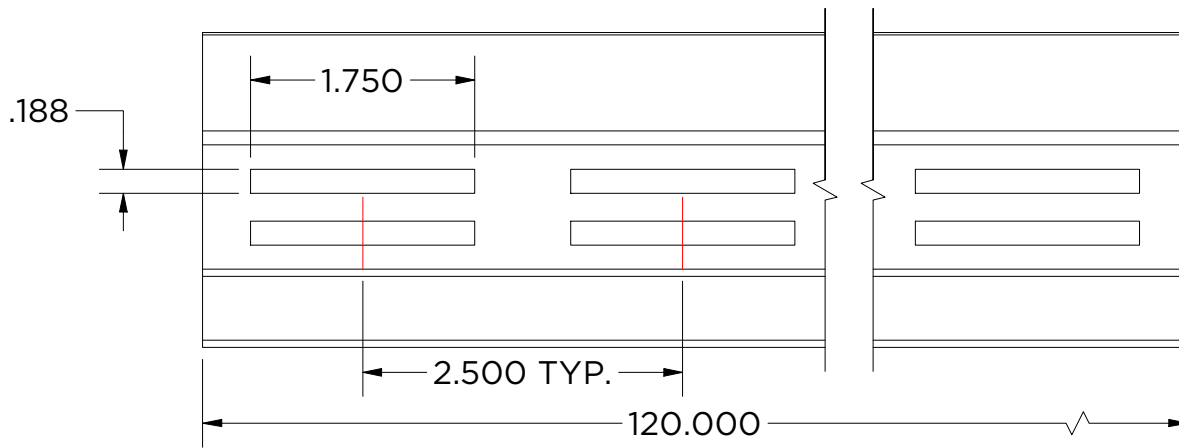
THE INFORMATION CONTAINED IN THIS DRAWING IS THE SOLE PROPERTY OF MONARCH METAL FABRICATION. ANY REPRODUCTION IN PART OR AS A WHOLE WITHOUT THE WRITTEN PERMISSION OF MONARCH METAL INC. IS PROHIBITED.

New York
1700 Ocean Ave Suite 2
Ronkonkoma NY 11779
Phone: (631) 750-3000

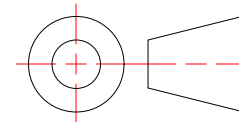
Nevada
1080 Linda Way, Unit 10
Sparks, NV 89431
Phone: (775) 415-0100

Texas
1330 Post & Paddock St.,
Suite 800
Grand Prairie, TX 75050
(945) 202-2700

monarchmetal.com



Created By: amh	Approved By: amh	Sheet Size A	Sheet No. 5/12
Creation Date: 6/29/2023	Approval Date: 11/29/2023	Scale 1.5:1	Rev 1



MHAT-16-1-V-120

16ga, 1" Tall, Ventilated Hat Channel, ~27%
Open Rate
Weight: 11.489 lbmass
Steel, Galvanized
Finish:



MONARCH
METAL INC.

PROPRIETARY AND CONFIDENTIAL

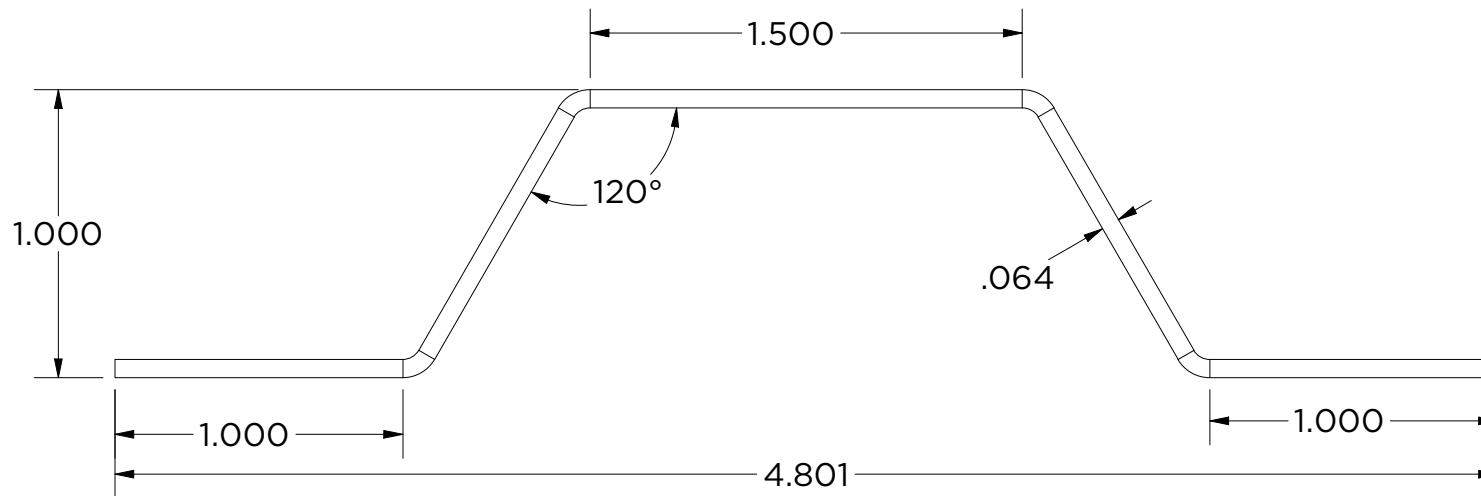
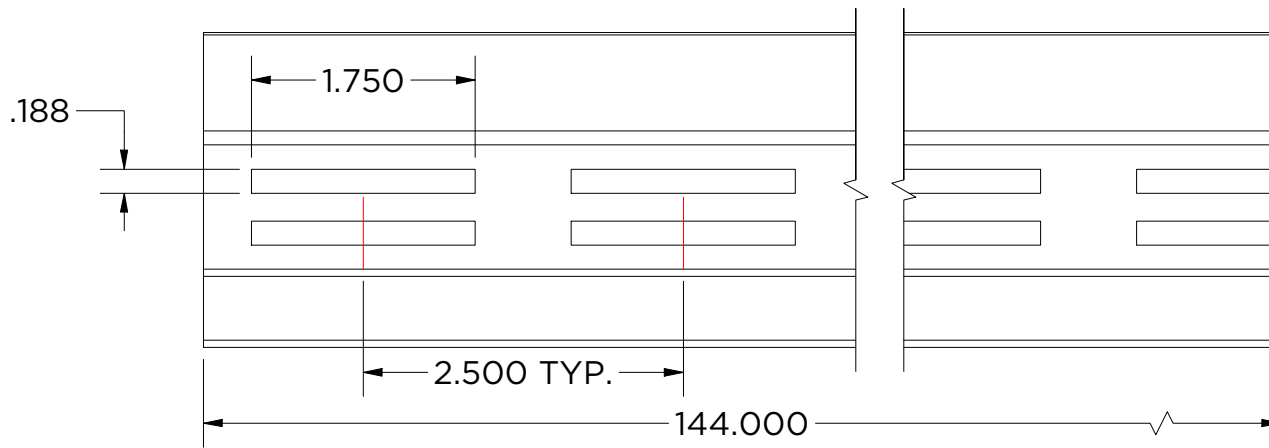
THE INFORMATION CONTAINED IN THIS DRAWING IS THE SOLE PROPERTY OF MONARCH METAL FABRICATION. ANY REPRODUCTION IN PART OR AS A WHOLE WITHOUT THE WRITTEN PERMISSION OF MONARCH METAL INC. IS PROHIBITED.

New York
1700 Ocean Ave Suite 2
Ronkonkoma NY 11779
Phone: (631) 750-3000

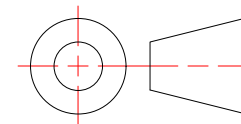
Nevada
1080 Linda Way, Unit 10
Sparks, NV 89431
Phone: (775) 415-0100

Texas
1330 Post & Paddock St.,
Suite 800
Grand Prairie, TX 75050
(945) 202-2700

monarchmetal.com



Created By: amh	Approved By: amh	Sheet Size A	Sheet No. 6/12
Creation Date: 6/29/2023	Approval Date: 11/29/2023	Scale 1.5:1	Rev 1



MHAT-16-1-V-144

16ga, 1" Tall, Ventilated Hat Channel, ~27%
Open Rate
Weight: 13.786 lbmass
Steel, Galvanized
Finish:



MONARCH
METAL INC.

PROPRIETARY AND CONFIDENTIAL

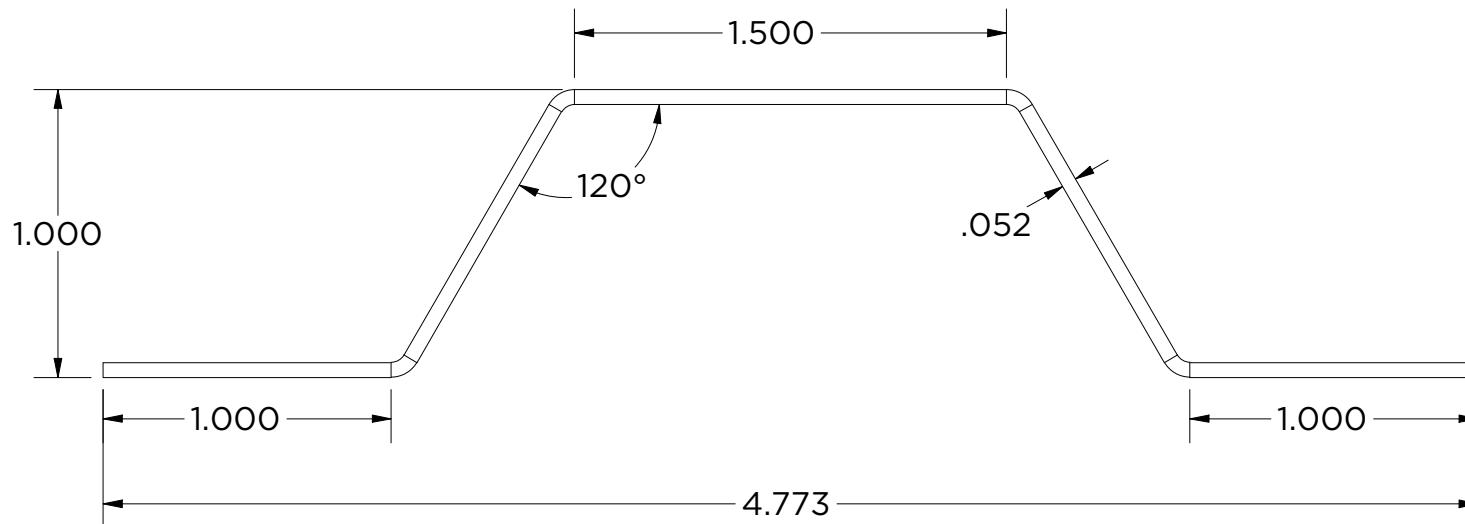
THE INFORMATION CONTAINED IN THIS DRAWING IS THE SOLE PROPERTY OF MONARCH METAL FABRICATION. ANY REPRODUCTION IN PART OR AS A WHOLE WITHOUT THE WRITTEN PERMISSION OF MONARCH METAL INC. IS PROHIBITED.

New York
1700 Ocean Ave Suite 2
Ronkonkoma NY 11779
Phone: (631) 750-3000

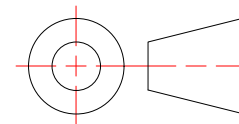
Nevada
1080 Linda Way, Unit 10
Sparks, NV 89431
Phone: (775) 415-0100

Texas
1330 Post & Paddock St.,
Suite 800
Grand Prairie, TX 75050
(945) 202-2700

monarchmetal.com



Created By: amh	Approved By: amh	Sheet Size A	Sheet No. 7/12
Creation Date: 6/29/2023	Approval Date: 11/29/2023	Scale 1.5:1	Rev 1



MHAT-18-1-S-96

18ga, 1" Tall, Solid Hat Channel

Weight: 8.197 lbmass
Steel, Galvanized
Finish:



MONARCH
METAL INC.

PROPRIETARY AND CONFIDENTIAL

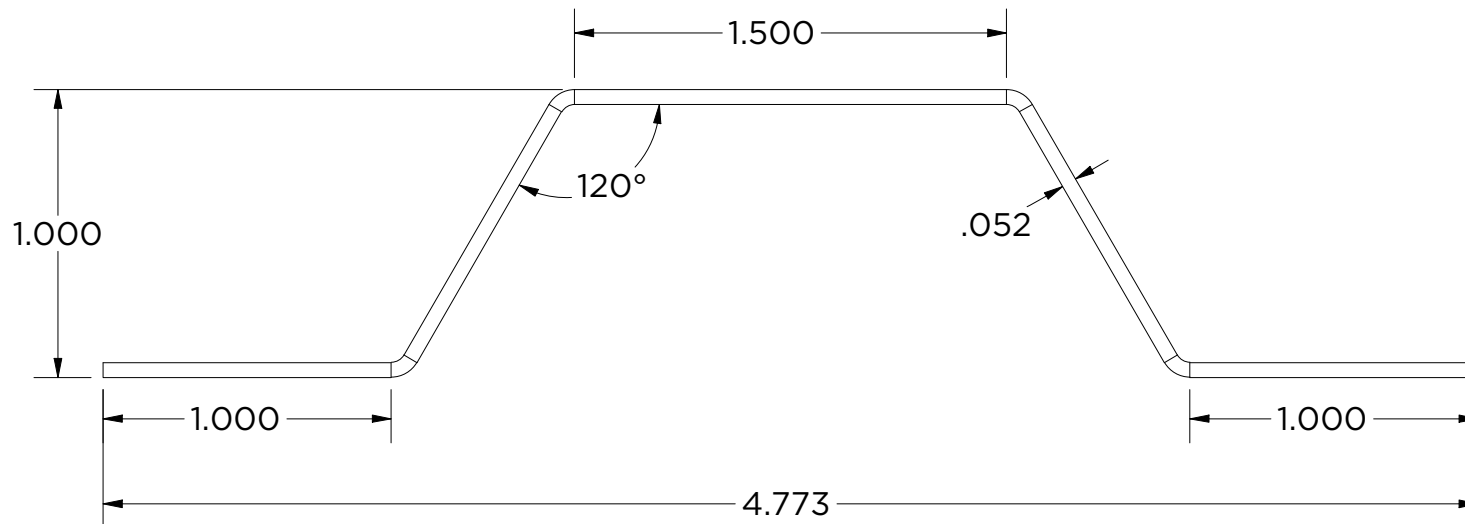
THE INFORMATION CONTAINED IN THIS DRAWING IS THE SOLE PROPERTY OF MONARCH METAL FABRICATION. ANY REPRODUCTION IN PART OR AS A WHOLE WITHOUT THE WRITTEN PERMISSION OF MONARCH METAL INC. IS PROHIBITED.

New York
1700 Ocean Ave Suite 2
Ronkonkoma NY 11779
Phone: (631) 750-3000

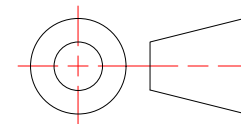
Nevada
1080 Linda Way, Unit 10
Sparks, NV 89431
Phone: (775) 415-0100

Texas
1330 Post & Paddock St.,
Suite 800
Grand Prairie, TX 75050
(945) 202-2700

monarchmetal.com



Created By: amh	Approved By: amh	Sheet Size A	Sheet No. 8/12
Creation Date: 6/29/2023	Approval Date: 11/29/2023	Scale 1.5:1	Rev 1



MHAT-18-1-S-120
18ga, 1" Tall, Solid Hat Channel

Weight: 10.246 lbmass
Steel, Galvanized
Finish:



MONARCH
METAL INC.

PROPRIETARY AND CONFIDENTIAL

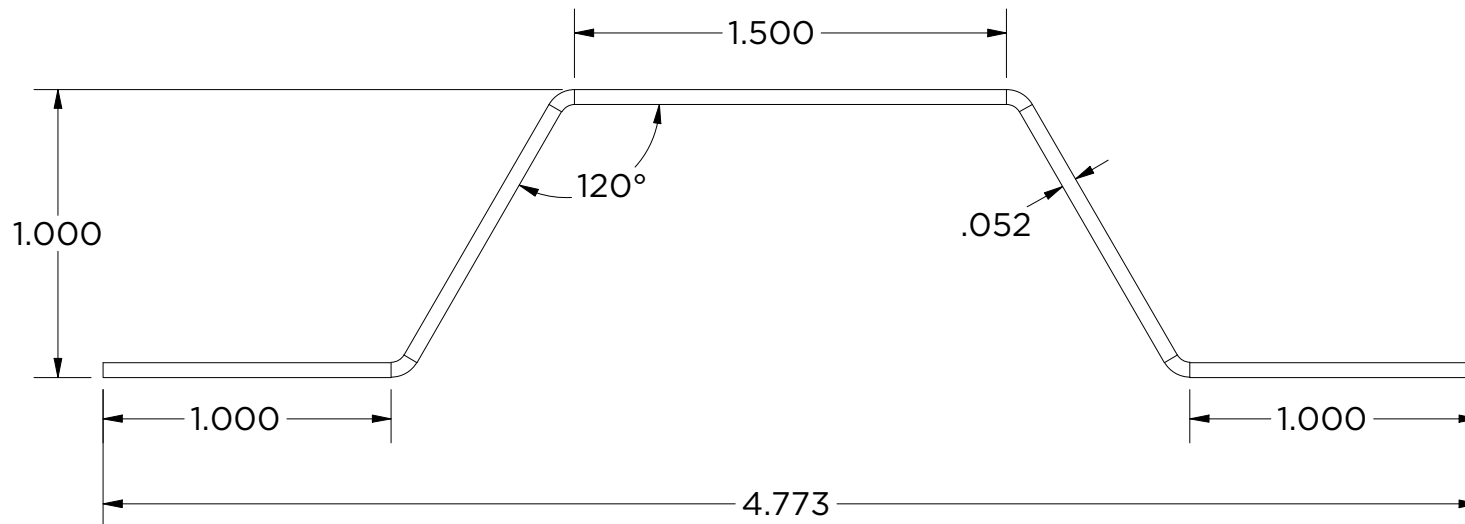
THE INFORMATION CONTAINED IN THIS DRAWING IS THE SOLE PROPERTY OF MONARCH METAL FABRICATION. ANY REPRODUCTION IN PART OR AS A WHOLE WITHOUT THE WRITTEN PERMISSION OF MONARCH METAL INC. IS PROHIBITED.

New York
1700 Ocean Ave Suite 2
Ronkonkoma NY 11779
Phone: (631) 750-3000

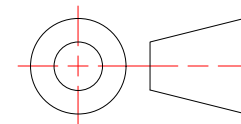
Nevada
1080 Linda Way, Unit 10
Sparks, NV 89431
Phone: (775) 415-0100

Texas
1330 Post & Paddock St.,
Suite 800
Grand Prairie, TX 75050
(945) 202-2700

monarchmetal.com



Created By: amh	Approved By: amh	Sheet Size A	Sheet No. 9/12
Creation Date: 6/29/2023	Approval Date: 11/29/2023	Scale 1.5:1	Rev 1



MHAT-18-1-S-144

18ga, 1" Tall, Solid Hat Channel

Weight: 12.295 lbmass
Steel, Galvanized
Finish:



MONARCH
METAL INC.

PROPRIETARY AND CONFIDENTIAL

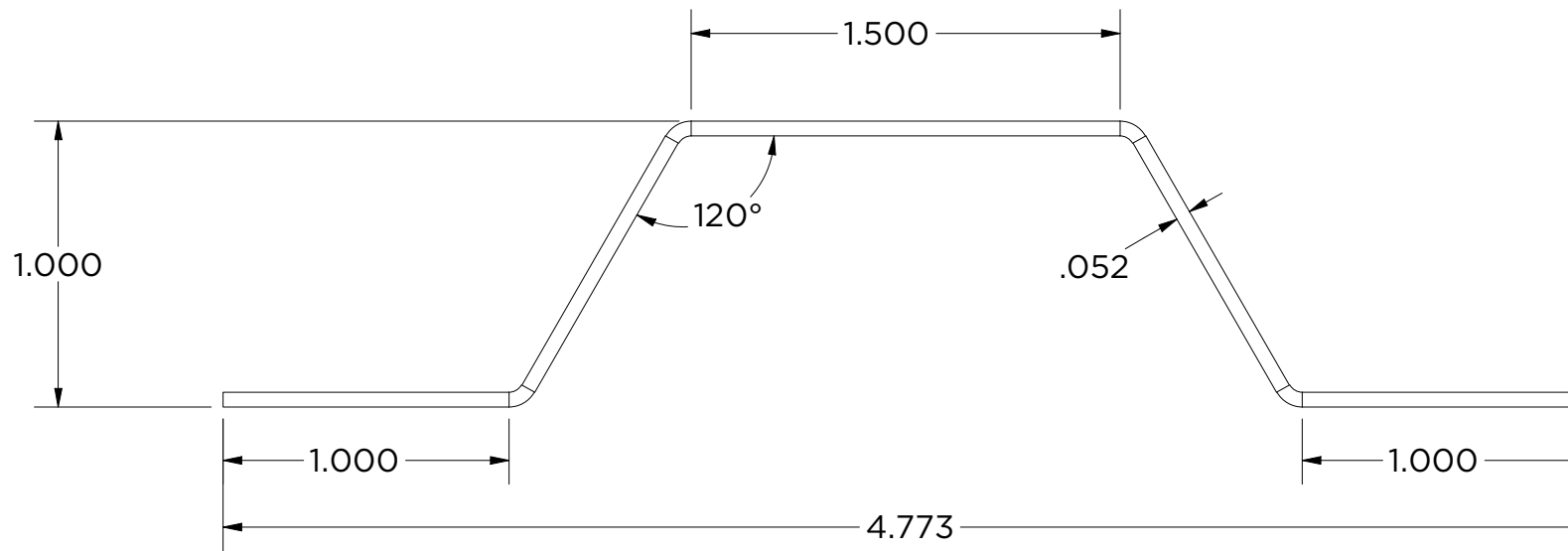
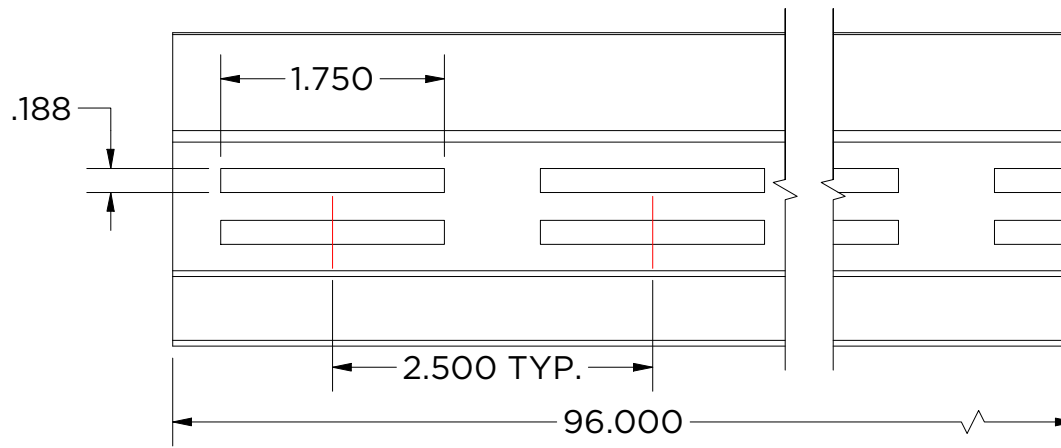
THE INFORMATION CONTAINED IN THIS DRAWING IS THE SOLE PROPERTY OF MONARCH METAL FABRICATION. ANY REPRODUCTION IN PART OR AS A WHOLE WITHOUT THE WRITTEN PERMISSION OF MONARCH METAL INC. IS PROHIBITED.

New York
1700 Ocean Ave Suite 2
Ronkonkoma NY 11779
Phone: (631) 750-3000

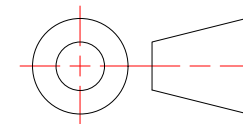
Nevada
1080 Linda Way, Unit 10
Sparks, NV 89431
Phone: (775) 415-0100

Texas
1330 Post & Paddock St.,
Suite 800
Grand Prairie, TX 75050
(945) 202-2700

monarchmetal.com



Created By: amh	Approved By: amh	Sheet Size A	Sheet No. 10/12
Creation Date: 6/29/2023	Approval Date: 11/29/2023	Scale 1.5:1	Rev 1



MHAT-18-1-V-96

18ga, 1" Tall, Ventilated Hat Channel ~27%
Open Rate
Weight: 7.460 lbmass
Steel, Galvanized
Finish:



MONARCH
METAL INC.

PROPRIETARY AND CONFIDENTIAL

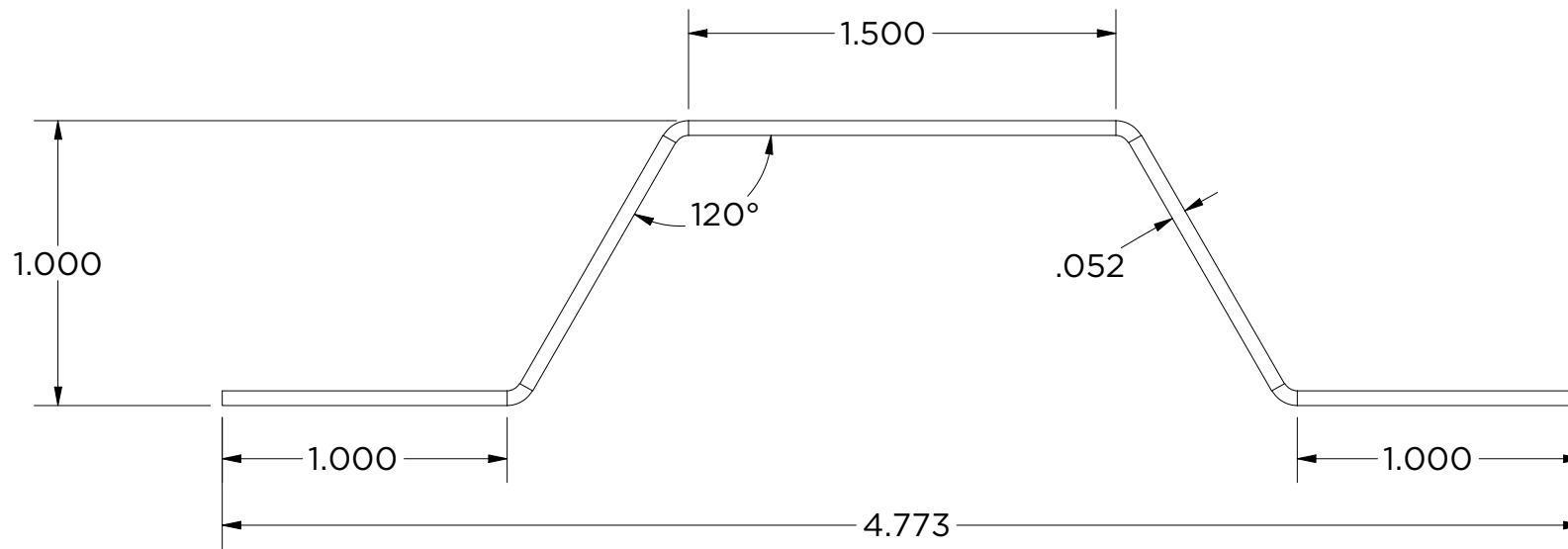
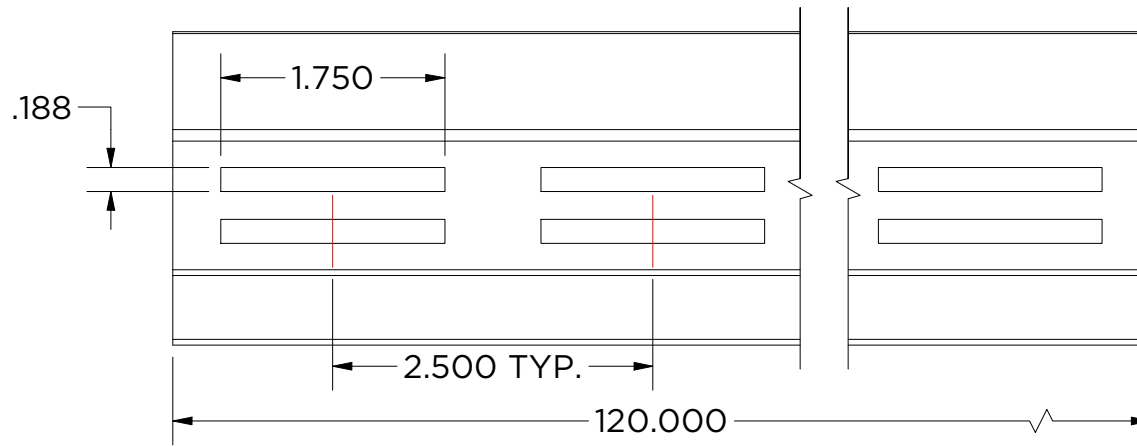
THE INFORMATION CONTAINED IN THIS DRAWING IS THE SOLE PROPERTY OF MONARCH METAL FABRICATION. ANY REPRODUCTION IN PART OR AS A WHOLE WITHOUT THE WRITTEN PERMISSION OF MONARCH METAL INC. IS PROHIBITED.

New York
1700 Ocean Ave Suite 2
Ronkonkoma NY 11779
Phone: (631) 750-3000

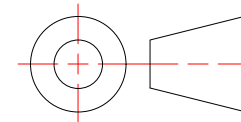
Nevada
1080 Linda Way, Unit 10
Sparks, NV 89431
Phone: (775) 415-0100

Texas
1330 Post & Paddock St.,
Suite 800
Grand Prairie, TX 75050
(945) 202-2700

monarchmetal.com



Created By: amh	Approved By: amh	Sheet Size A	Sheet No. 11/12
Creation Date: 6/29/2023	Approval Date: 11/29/2023	Scale 1.5:1	Rev 1



MHAT-18-1-V-120

18ga, 1" Tall, Ventilated Hat Channel ~27%
Open Rate
Weight: 9.324 lbmass
Steel, Galvanized
Finish:



MONARCH
METAL INC.

PROPRIETARY AND CONFIDENTIAL

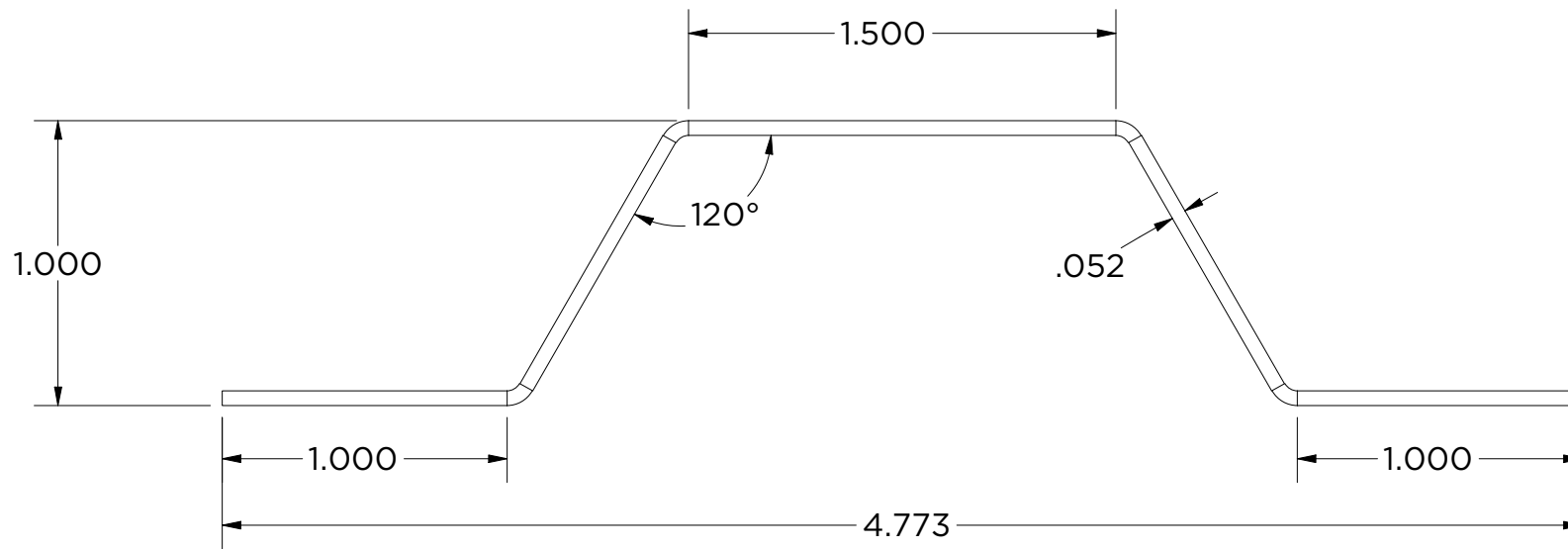
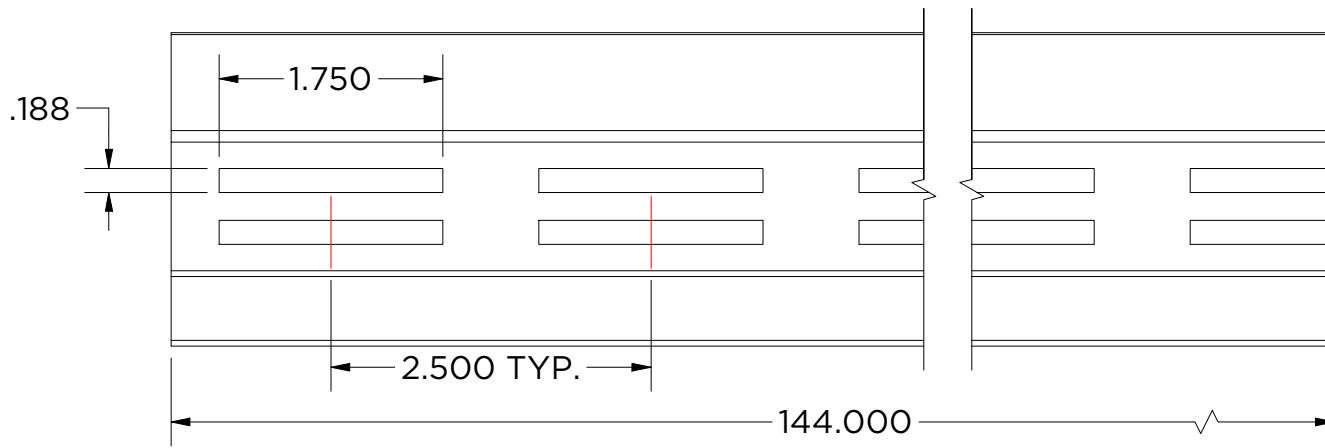
THE INFORMATION CONTAINED IN THIS DRAWING IS THE SOLE PROPERTY OF MONARCH METAL FABRICATION. ANY REPRODUCTION IN PART OR AS A WHOLE WITHOUT THE WRITTEN PERMISSION OF MONARCH METAL INC. IS PROHIBITED.

New York
1700 Ocean Ave Suite 2
Ronkonkoma NY 11779
Phone: (631) 750-3000

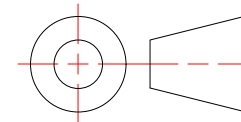
Nevada
1080 Linda Way, Unit 10
Sparks, NV 89431
Phone: (775) 415-0100

Texas
1330 Post & Paddock St.,
Suite 800
Grand Prairie, TX 75050
(945) 202-2700

monarchmetal.com



Created By: amh	Approved By: amh	Sheet Size A	Sheet No. 12/12
Creation Date: 6/29/2023	Approval Date: 11/29/2023	Scale 1.5:1	Rev 1



MHAT-18-1-V-144

18ga, 1" Tall, Ventilated Hat Channel ~27%
Open Rate
Weight: 11.188 lbmass
Steel, Galvanized
Finish:



MONARCH
METAL INC.

PROPRIETARY AND CONFIDENTIAL

THE INFORMATION CONTAINED IN THIS DRAWING IS THE SOLE PROPERTY OF MONARCH METAL FABRICATION. ANY REPRODUCTION IN PART OR AS A WHOLE WITHOUT THE WRITTEN PERMISSION OF MONARCH METAL INC. IS PROHIBITED.

New York
1700 Ocean Ave Suite 2
Ronkonkoma NY 11779
Phone: (631) 750-3000

Nevada
1080 Linda Way, Unit 10
Sparks, NV 89431
Phone: (775) 415-0100

Texas
1330 Post & Paddock St.,
Suite 800
Grand Prairie, TX 75050
(945) 202-2700

monarchmetal.com