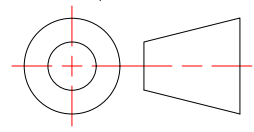
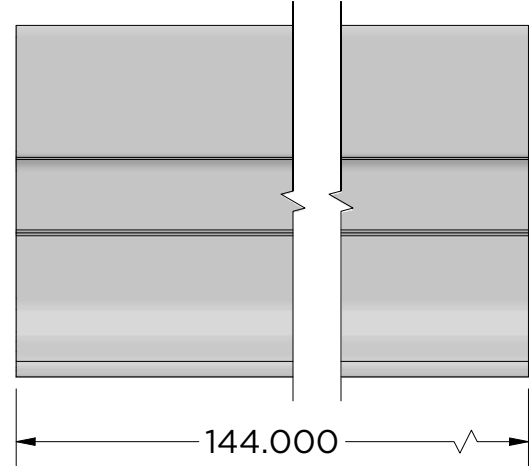


MHPL Adjustable Clip



Created By: AMH	Approved By: AMH	Sheet Size A	Sheet No. 1/5
Creation Date: 11/10/2023	Approval Date: 4/23/2024	Scale 1.5 : 1	Rev 2

MHPL System
Lightweight Concealed Fastener System



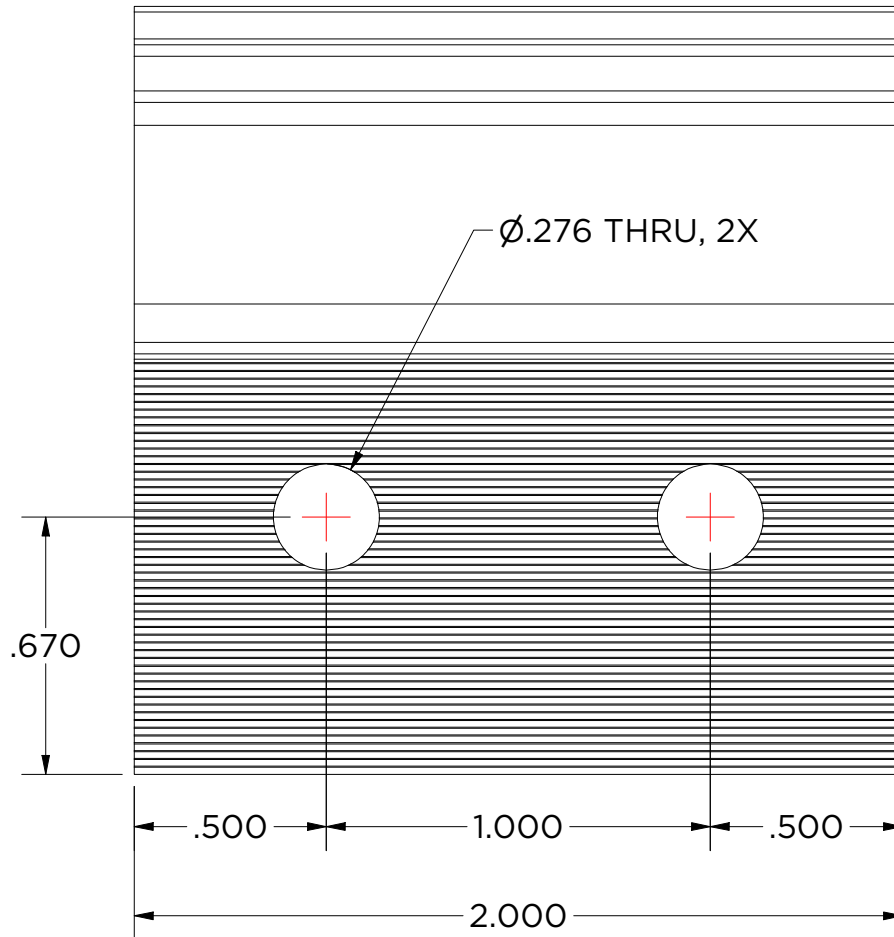
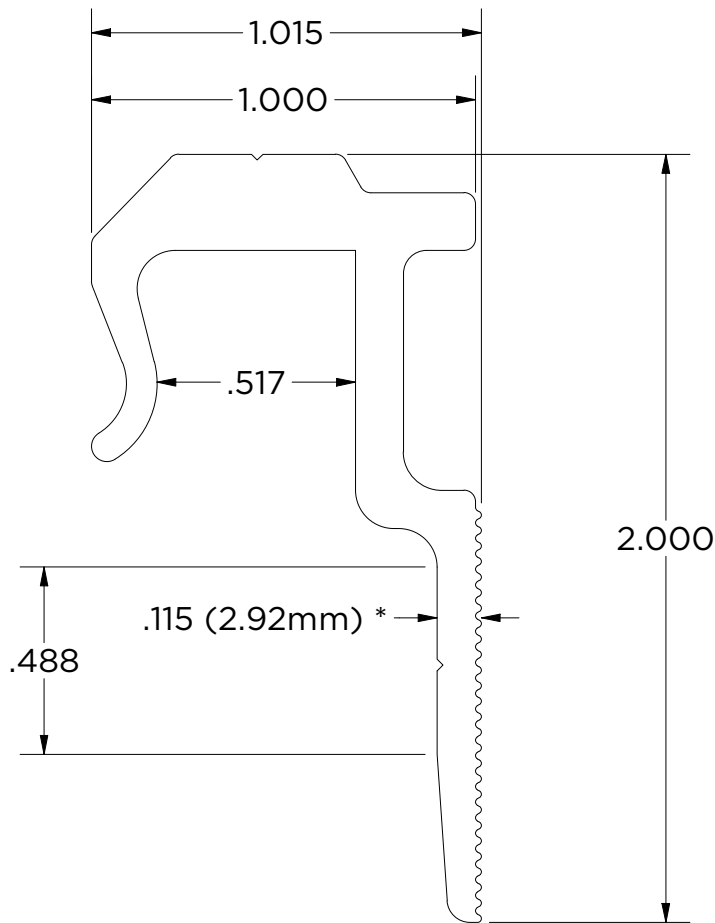
MONARCH
METAL INC.

PROPRIETARY AND CONFIDENTIAL
THE INFORMATION CONTAINED IN THIS DRAWING IS THE SOLE PROPERTY OF MONARCH METAL FABRICATION. ANY REPRODUCTION IN PART OR AS A WHOLE WITHOUT THE WRITTEN PERMISSION OF MONARCH METAL INC. IS PROHIBITED.

New York 1700 Ocean Ave Suite 2 Ronkonkoma NY 11779 Phone: (631) 750-3000
Nevada 1080 Linda Way, Unit 10 Sparks, NV 89431 Phone: (775) 415-0100
Texas 1330 Post & Paddock St., Suite 800 Grand Prairie, TX 75050 (945) 202-2700

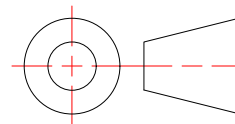
Finish:

monarchmetal.com



*Note: See Fastener Chart (Sheet 5) for Anchor Depth

Created By: AMH	Approved By: AMH	Sheet Size A	Sheet No. 2/5
Creation Date: 11/10/2023	Approval Date: 4/23/2024	Scale 2 : 1	Rev 2



MHPL-CLIP-2-FIX
Lightweight HPL System - Fixed Clip

Aluminum 6005A-T61
Finish: Mill



MONARCH
METAL INC.

PROPRIETARY AND CONFIDENTIAL

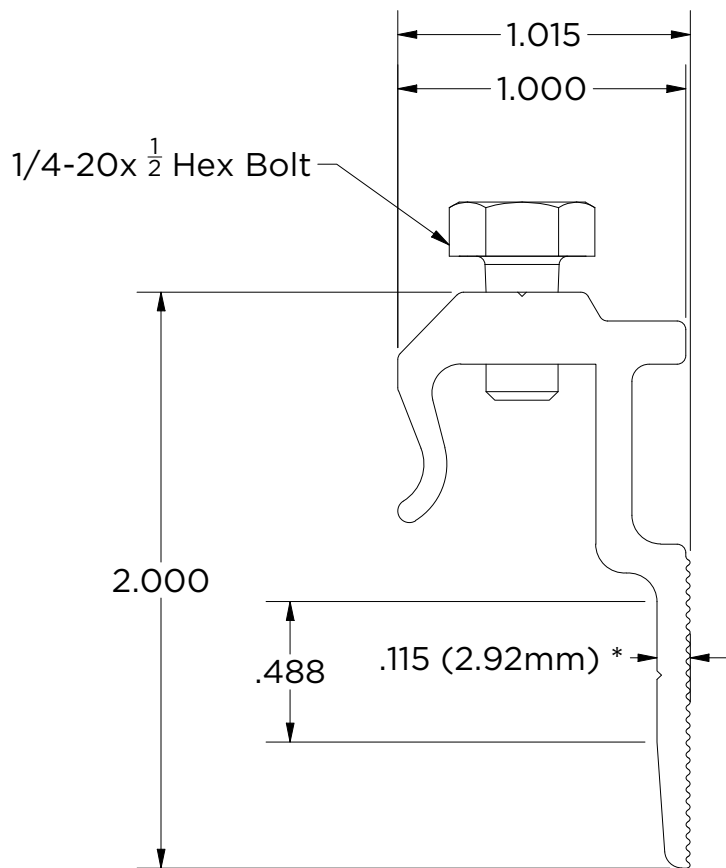
THE INFORMATION CONTAINED IN THIS DRAWING IS THE SOLE PROPERTY OF MONARCH METAL FABRICATION. ANY REPRODUCTION IN PART OR AS A WHOLE WITHOUT THE WRITTEN PERMISSION OF MONARCH METAL INC. IS PROHIBITED.

New York
1700 Ocean Ave Suite 2
Ronkonkoma NY 11779
Phone: (631) 750-3000

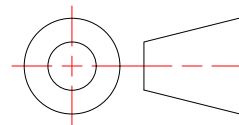
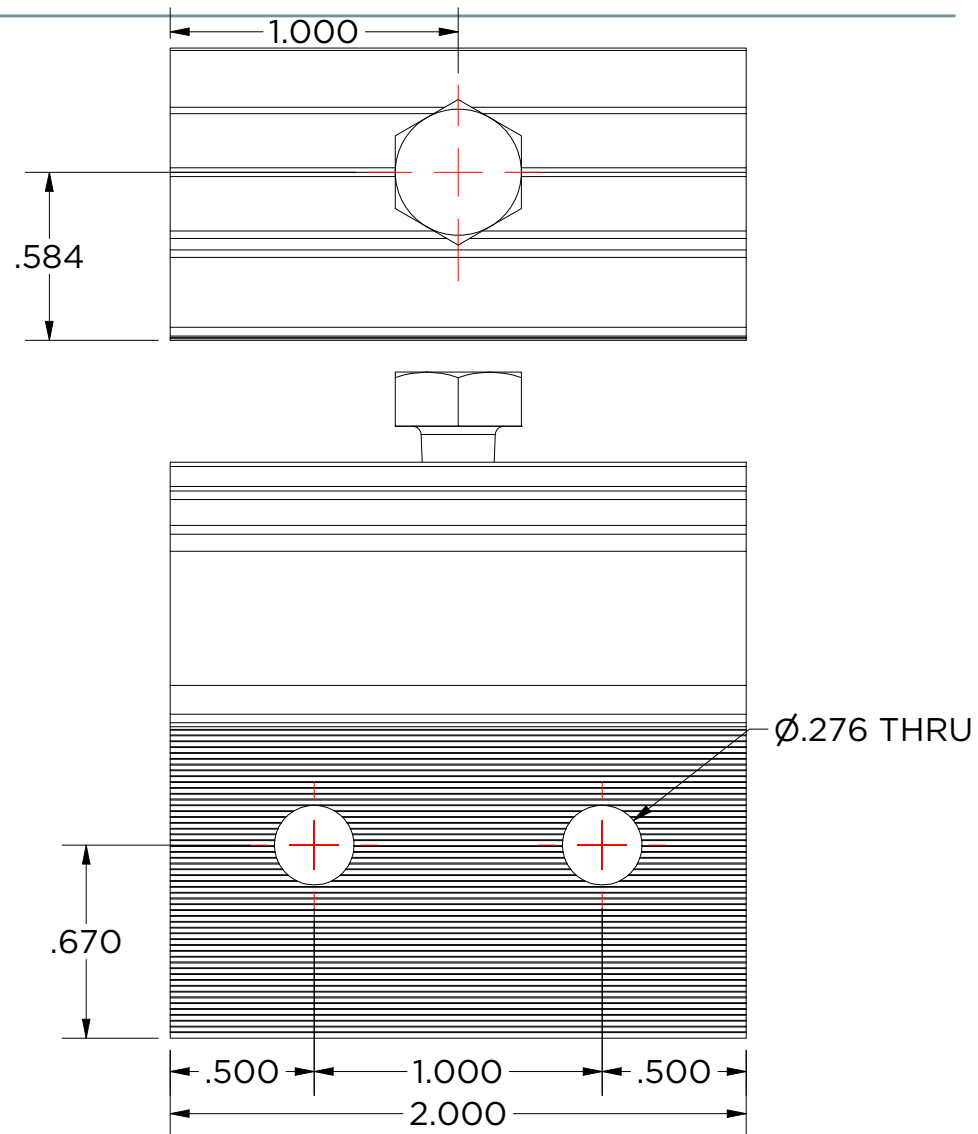
Nevada
1080 Linda Way, Unit 10
Sparks, NV 89431
Phone: (775) 415-0100

Texas
1330 Post & Paddock St.,
Suite 800
Grand Prairie, TX 75050
(945) 202-2700

monarchmetal.com



*Note: See Fastener Chart (Sheet 5) for Anchor Depth



Created By: AMH	Approved By: AMH	Sheet Size A	Sheet No. 3/5
Creation Date: 11/10/2023	Approval Date: 4/23/2024	Scale 1.5:1	Rev 2

MHPL-CLIP-2-ADJ
Lightweight HPL System - Adjustable Clip

Finish:



MONARCH
METAL INC.

PROPRIETARY AND CONFIDENTIAL

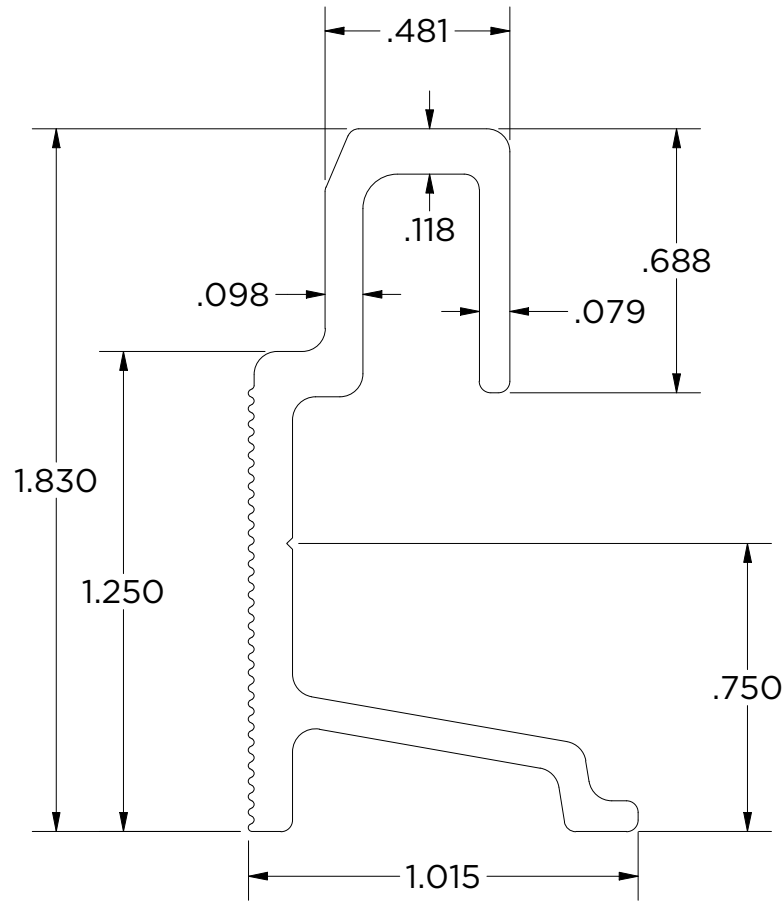
THE INFORMATION CONTAINED IN THIS DRAWING IS THE SOLE PROPERTY OF MONARCH METAL FABRICATION. ANY REPRODUCTION IN PART OR AS A WHOLE WITHOUT THE WRITTEN PERMISSION OF MONARCH METAL INC. IS PROHIBITED.

New York
1700 Ocean Ave Suite 2
Ronkonkoma NY 11779
Phone: (631) 750-3000

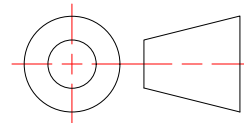
Nevada
1080 Linda Way, Unit 10
Sparks, NV 89431
Phone: (775) 415-0100

Texas
1330 Post & Paddock St.,
Suite 800
Grand Prairie, TX 75050
(945) 202-2700

monarchmetal.com



Created By: AMH	Approved By: AMH	Sheet Size A	Sheet No. 4/5
Creation Date: 11/10/2023	Approval Date: 4/23/2024	Scale 2 : 1	Rev 2



MHPL - Rail - 144
Lightweight HPL System - Rail

Aluminum 6005A-T61
Finish: Mill



MONARCH
METAL INC.

PROPRIETARY AND CONFIDENTIAL

THE INFORMATION CONTAINED IN THIS DRAWING IS THE SOLE PROPERTY OF MONARCH METAL FABRICATION. ANY REPRODUCTION IN PART OR AS A WHOLE WITHOUT THE WRITTEN PERMISSION OF MONARCH METAL INC. IS PROHIBITED.

New York
1700 Ocean Ave Suite 2
Ronkonkoma NY 11779
Phone: (631) 750-3000

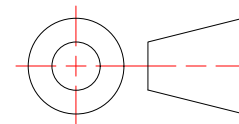
Nevada
1080 Linda Way, Unit 10
Sparks, NV 89431
Phone: (775) 415-0100

Texas
1330 Post & Paddock St.,
Suite 800
Grand Prairie, TX 75050
(945) 202-2700

monarchmetal.com

SFS Fastener Recommendations		
TUF-S	8mm Panel	10mm Panel
MHPL Clip	TUF-S-6x7.5-A4	TUF-S-6x9-A4
Panel Drill Depth	5	7
TU-S	8mm Panel	10mm Panel
MHPL Clip	TU-S-6x8-A4	TU-S-6x9-A4
Panel Drill Depth	6	7

Created By: AMH	Approved By: AMH	Sheet Size A	Sheet No. 5/5
Creation Date: 11/10/2023	Approval Date: 4/23/2024	Scale	Rev 2



Finish:



MONARCH
METAL INC.

PROPRIETARY AND CONFIDENTIAL

THE INFORMATION CONTAINED IN THIS DRAWING IS THE SOLE PROPERTY OF MONARCH METAL FABRICATION. ANY REPRODUCTION IN PART OR AS A WHOLE WITHOUT THE WRITTEN PERMISSION OF MONARCH METAL INC. IS PROHIBITED.

New York
1700 Ocean Ave Suite 2
Ronkonkoma NY 11779
Phone: (631) 750-3000

Nevada
1080 Linda Way, Unit 10
Sparks, NV 89431
Phone: (775) 415-0100

Texas
1330 Post & Paddock St.,
Suite 800
Grand Prairie, TX 75050
(945) 202-2700

monarchmetal.com