



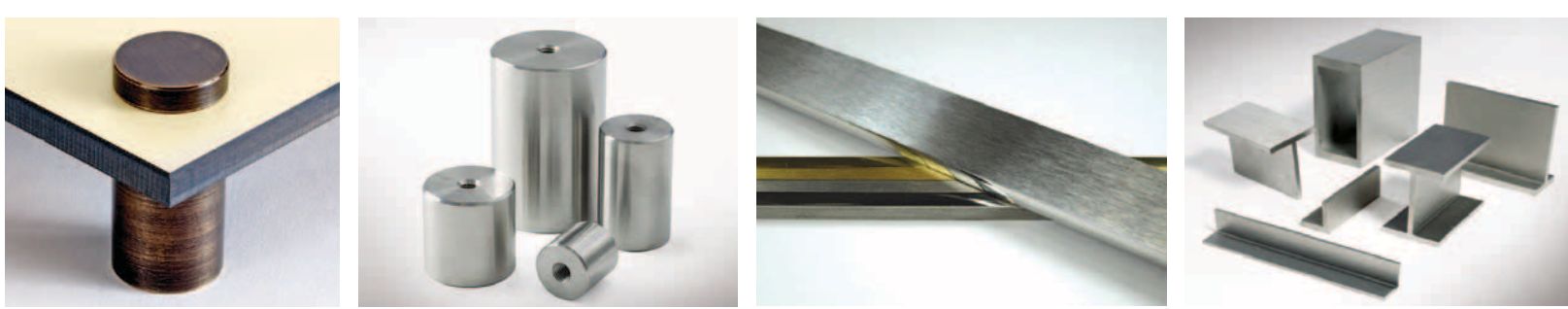
MONARCH
METAL FABRICATION

www.monarchmetal.com

(631) 750-3000



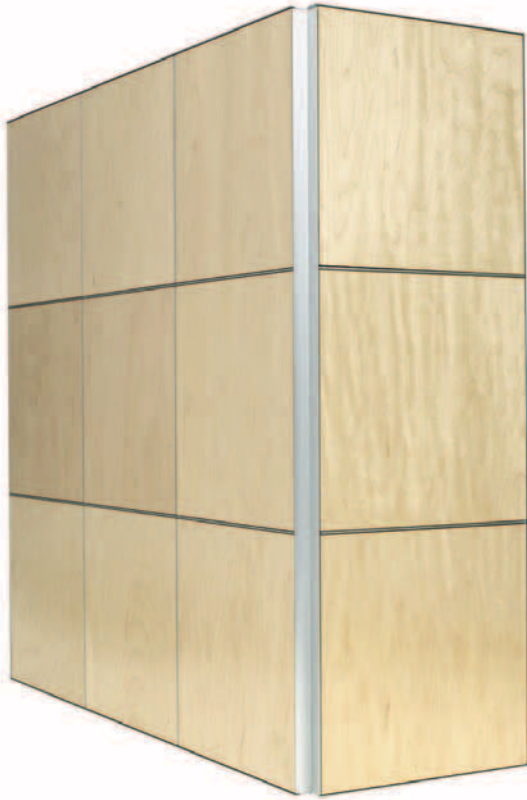
Wall Panel Mounting Systems



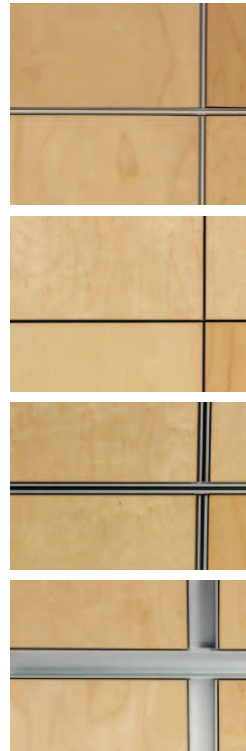
Architectural Metals

WALL PANEL SYSTEMS

(Page 19)



Four Different Looks for Reveals



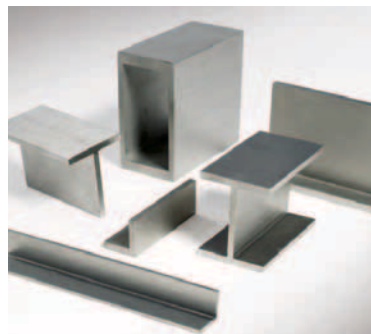
Stainless Wall Panel Systems

(Page 25)



Sharp Corner Stainless Steel Profiles

(Page 54)



CONTENTS

05 Monarch Z Clip
Panel Hanging Systems

19 Wall Panel Systems
20 • Monarch Easy Panel System
25 • Stainless System
28 • Glass Panel System

31 Standoffs
33 • Aluminum Standoffs
34 • Stainless Standoffs

39 Rainscreen Cladding
42 • Exposed Fastener System
43 • Concealed Fastener System

45 Architectural Metals

46 • Angle: Aluminum,
Stainless Steel, Steel

53 • Anodized Aluminum :
Angle, Structural Shapes

55 • Channel : Aluminum,
Stainless Steel, Steel

61 • Flat Bar: Aluminum,
Stainless Steel and Brass

66 • Diamond-Tread Plates

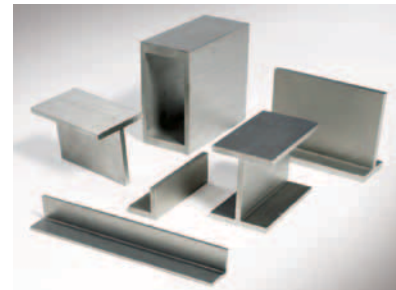
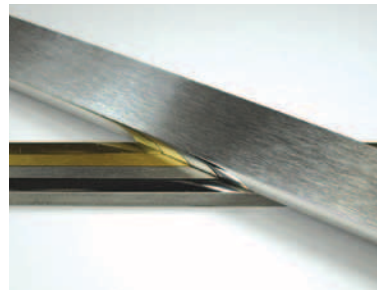
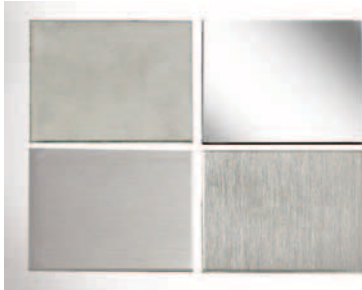
68 • Other Structurals: T Bar, Zees

73 Corner Guards & Kick Plates

74 • Corner Guards

75 • Kick Plates

Architectural Metals



MONARCH Z CLIP HANGING SYSTEMS



Overview 06

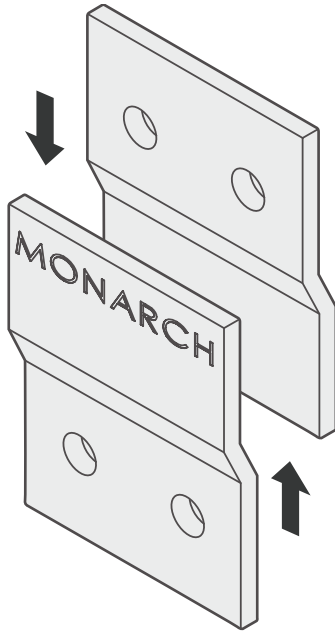
Choosing the Correct
Monarch Hanging System 08

Standard Monarch Clips 09

Stainless Steel Monarch Clips 15

MONARCH Z CLIPS

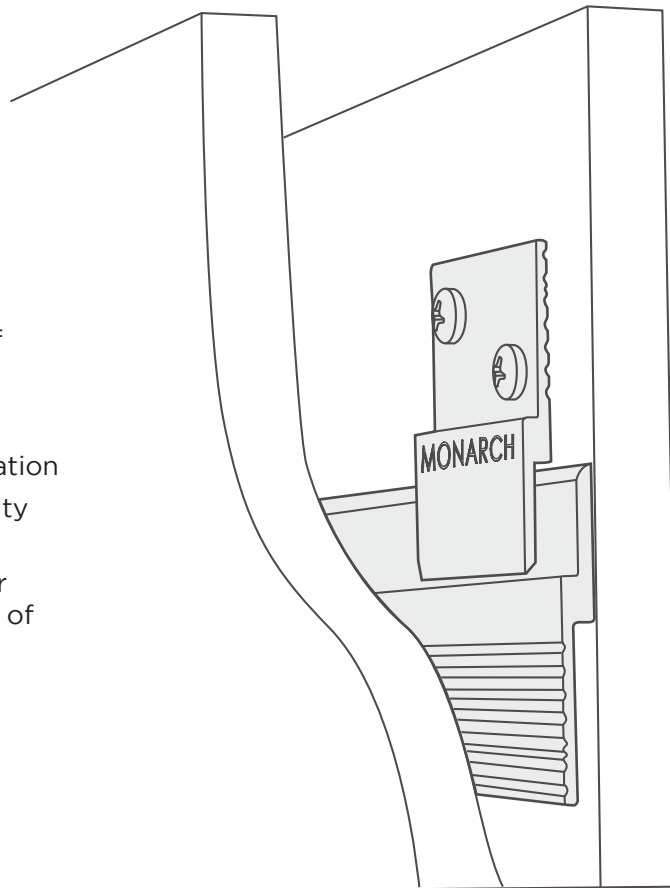
Overview



Monarch Metal has provided the fastest and easiest method to mount wall panels, signs, art work and more for close to 25 years.

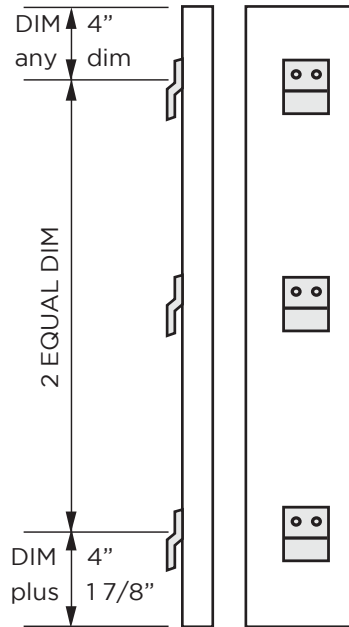
The key advantages of the Monarch Z Clip system are:

- Simplicity of installation
- Strength and security of the mounting
- No visible screws or nails on the surface of the mounted panel



MONARCH Z CLIPS

Overview



For a typical 8' high x 4' wide panel, customers mount the continuous lengths along the wall at 3 different heights parallel with the floor. These are secured to studs at 16" on center or to blocking at 8" on center. The shorter panel clips are secured to the back of the panel every 12-15" horizontally.

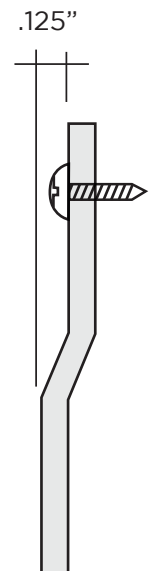
To match fastener locations on the panel with those on the wall a single template can be used or one can use a story pole.

Installation of the panel is accomplished by simply dropping the panel onto the continuous lengths mounted along the wall.

For a video of an installation, please visit our web-site at MonarchMetal.com

Monarch recommends a #8 Pan Head thread screw for attaching the shorter panel clips to the back side of MDF or particle board panels, and stocks these in 1/2", 5/8" and 3/4" lengths.

The important constraint to remember for using the Monarch Z Clip system is that the height of the head of the screw must be less than .125" for our standard Monarch Z Clips.



MONARCH Z CLIPS

Choosing the Correct Monarch Hanging System



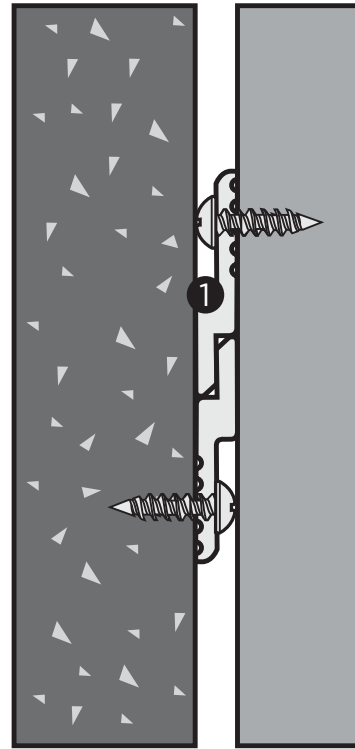
MONARCH Z CLIPS

Standard Z Clips

MF375 Clip

Features:

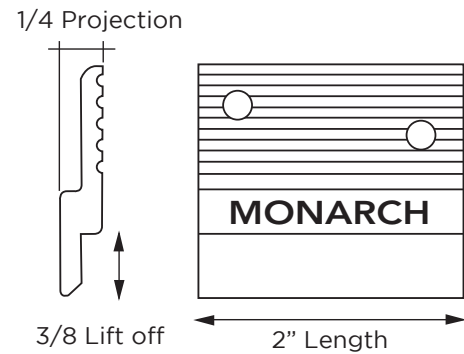
- Monarch Z Clip system for hanging interior panels where the installer desires a 3/8" length of engagement
- 1/2" clearance required between the top of the panel and the ceiling
- 6063-T6 Aluminum



Standard Applications
3/8" Lift Off
1/4" Projection

1 MF375 Clip

MF375	
Material	Aluminum
Stock Clip Size	2 Inch
Stock Continuous Length	72 Inch, 144 Inch
Custom Lengths Available	Any
Lift Off (1)	3/8 Inch
Projection (2)	1/4 Inch
Availability	Same Day Shipping



- (1) The "Lift-Off" is the amount you need to raise the panel over its resting height to mount the panel.
- (2) The "Projection" is the distance that the panel sits out from the wall.

MONARCH Z CLIPS

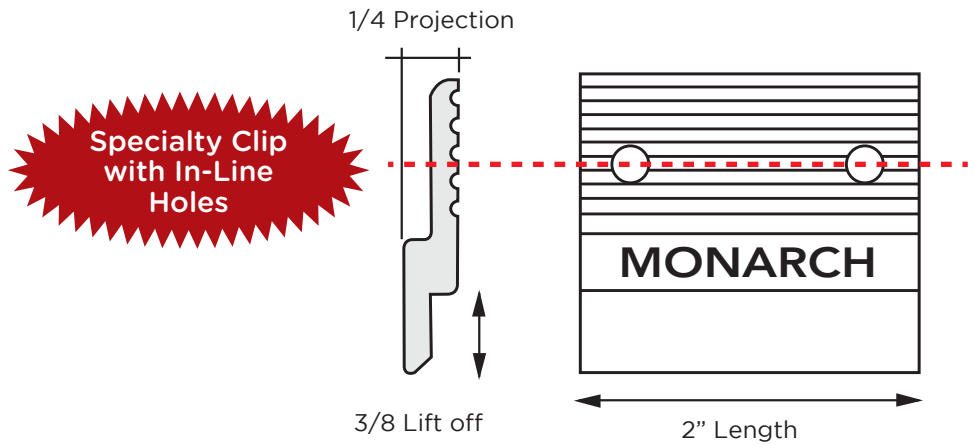
Speciality Z Clips

MF375 Even Clip

Features:

- In line holes for 50% increase in panel processing speed
- 32mm hole spacing for line boring equipment
- 6063-T6 Aluminum

Alternative Clip
for MF375
3/8" Lift Off
1/4" Projection



MF375	
Material	Aluminum
Stock Clip Size	2 Inch
Stock Continuous Length	72 Inch, 144 Inch
Custom Lengths Available	Any
Lift Off (1)	3/8 Inch
Projection (2)	1/4 Inch
Availability	Same Day Shipping

- (1) The "Lift-Off" is the amount you need to raise the panel over its resting height to mount the panel.
- (2) The "Projection" is the distance that the panel sits out from the wall.

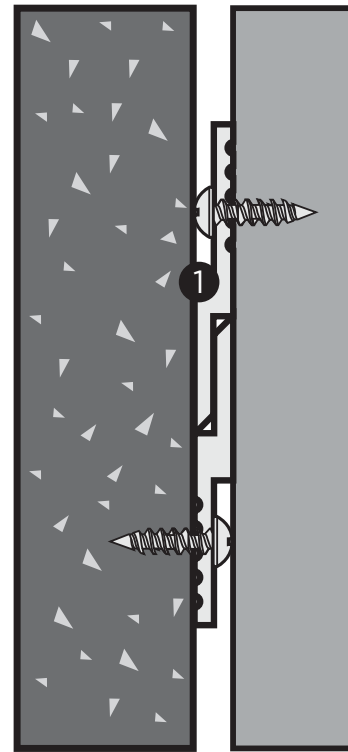
MONARCH Z CLIPS

Standard Z Clips

MF625 Clip

Features:

- Monarch Z Clip system for hanging interior panels where the installer desires a 5/8" length of engagement
- 3/4" clearance required between the top of the panel and the ceiling
- 6063-T6 Aluminum



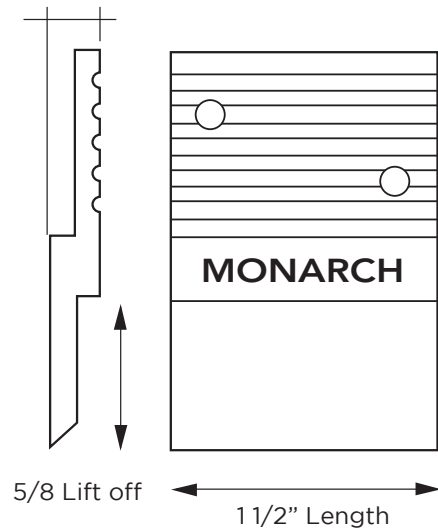
Standard Applications
5/8" Lift Off
3/16" Projection

1 MF625 Clip

MF625	
Material	Aluminum
Stock Clip Size	1 1/2 Inch
Stock Continuous Length	72 Inch, 144 Inch
Custom Lengths Available	Any
Lift Off (1)	5/8 Inch
Projection (2)	3/16 Inch
Availability	Same Day Shipping

- (1) The "Lift-Off" is the amount you need to raise the panel over its resting height to mount the panel.
- (2) The "Projection" is the distance that the panel sits out from the wall.

.200" Projection



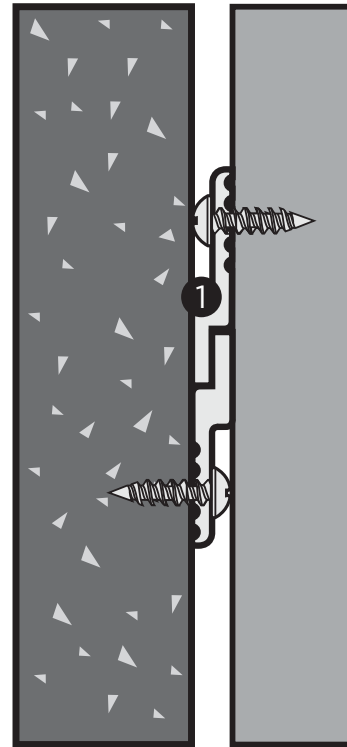
MONARCH Z CLIPS

Standard Z Clips

MF250 Clip

Features:

- Monarch Z Clip system for hanging interior panels where the installer desires a 1/4" length of engagement
- 3/8" clearance required between the top of the panel and the ceiling
- 6063-T6 Aluminum

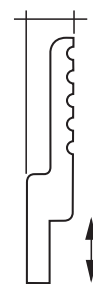


Applications With Limited Clearance Above Panel
 1/4" Lift Off
 1/4" Projection

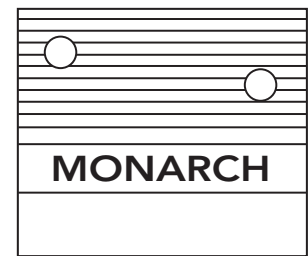
1 MF250 Clip

MF250	
Material	Aluminum
Stock Clip Size	2 Inch
Stock Continuous Length	72 Inch, 144 Inch
Custom Lengths Available	Any
Lift Off (1)	1/4 Inch
Projection (2)	1/4 Inch
Availability	Same Day Shipping

1/4 Projection



1/4 Lift off



2" Length

- (1) The "Lift-Off" is the amount you need to raise the panel over its resting height to mount the panel.
- (2) The "Projection" is the distance that the panel sits out from the wall.

MONARCH Z CLIPS

Standard Z Clips

MFSTR-050 Clip

Features:

- High strength aluminum system compatible with up to a 3/8" hex bolt
- 1/2" clearance required between the top of the panel and the ceiling
- 6063-T6 Aluminum
- Easily used for mounting on concrete block or other difficult materials

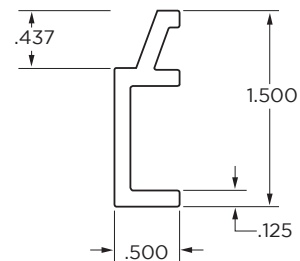
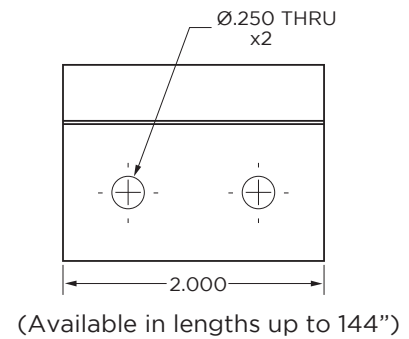


① MFSTR-050 2" Clip

② MFSTR-050 Continuous Length

MFSTR050	
Material	Aluminum
Stock Clip Size	2 Inch
Stock Continuous Length	72 Inch, 144 Inch
Custom Lengths Available	Any
Lift Off (1)	7/16 Inch
Projection (2)	1/2 Inch
Availability	Same Day Shipping

- (1) The "Lift-Off" is the amount you need to raise the panel over its resting height to mount the panel.
- (2) The "Projection" is the distance that the panel sits out from the wall.



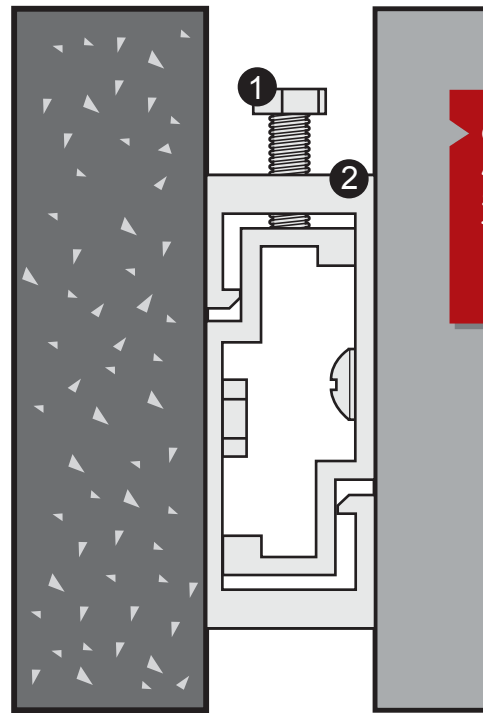
MONARCH Z CLIPS

Standard Z Clips

MFSTR-1125 Clip

Features:

- Heavy duty adjustable height system for mounting curtain wall in exterior applications
- Easy adjust bolt on clips for minor height adjustments
- Easy fit engagement for locating
- 3/4" clearance required above the panel
- 6063-T6 Aluminum
- Compatible with heavy duty hex bolts up to 3/8" for additional strength
- Perfect for mounting on concrete block or other difficult materials

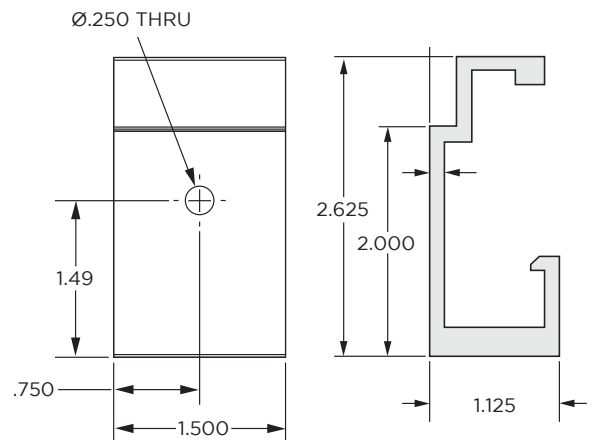


1 1/4" x 20 Hex Bolt for Minor Height Adjustments

2 MFSTR-1125 System

MFSTR-1125	
Material	Aluminum
Stock Clip Size	1.5 Inch
Stock Continuous Length	144 Inch
Custom Lengths Available	Any
Lift Off (1)	5/8 Inch
Projection (2)	1 1/8 Inch
Availability	Same Day Shipping

- (1) The "Lift-Off" is the amount you need to raise the panel over its resting height to mount the panel.
- (2) The "Projection" is the distance that the panel sits out from the wall.



(Available in lengths up to 144")

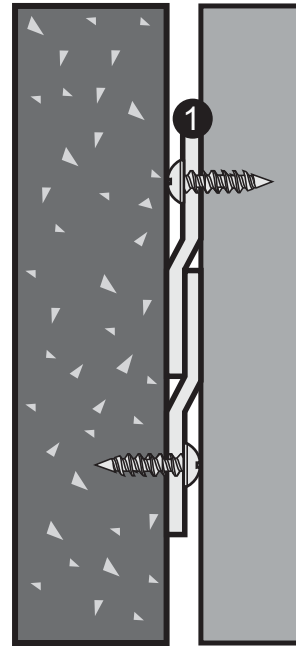
MONARCH Z CLIPS

Stainless Steel Hidden Fastening Systems

Heavy Duty Stainless Steel Clips

Features:

- High strength, corrosion resistant stainless steel material makes these perfect for use in exterior wet or harsh environments
- 7/8" clearance required between the top of the panel and the ceiling
- Available in 304 Stainless Steel and 316 Marine Grade Stainless Steel
- Same simple engagement mechanism as our original Monarch Clips

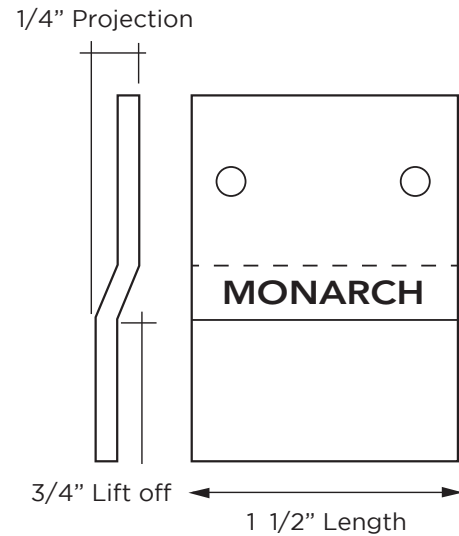


High Strength
Corrosion Resistant
Applications
3/4" Lift Off
1/4" Projection

1 Heavy Duty MFSS Clip

MFSS HD Clips	
Material	Stainless Steel
Stock Clip Size	1 1/2 Inch
Stock Continuous Length	48 Inch
Custom Lengths Available	Any
Lift Off (1)	3/4 Inch
Projection (2)	1/4 Inch
Availability	Same Day Shipping

- (1) The "Lift-Off" is the amount you need to raise the panel over its resting height to mount the panel.
 (2) The "Projection" is the distance that the panel sits out from the wall.



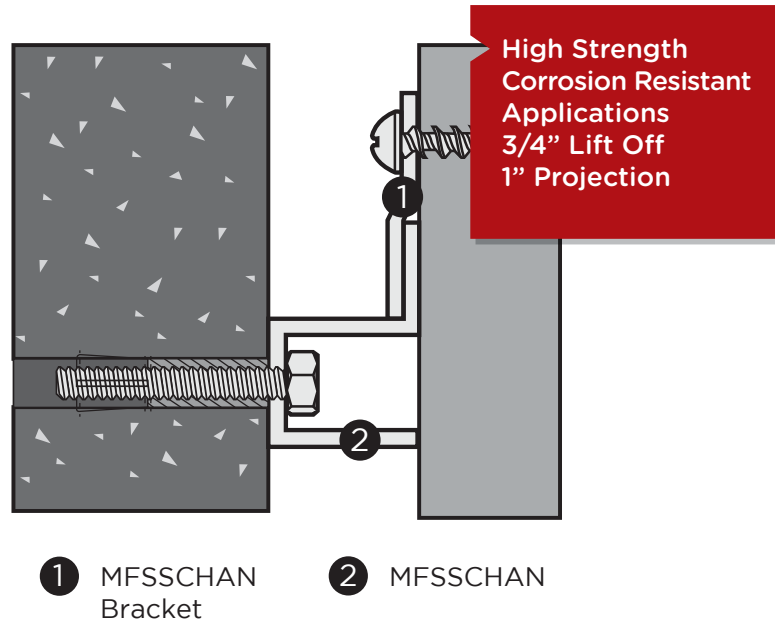
MONARCH Z CLIPS

Stainless Steel Hidden Fastening Systems

Stainless Steel System with 1" Projection

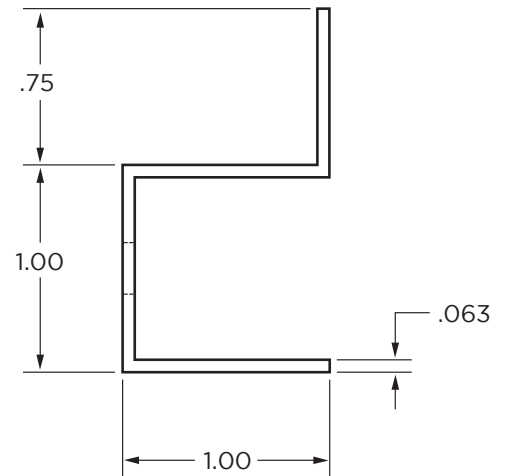
Features:

- High strength, corrosion resistant stainless steel material compatible with up to a 3/8" hex bolt
- 7/8" clearance required between the top of the panel and the ceiling
- 304 Stainless steel
- 1" projection for building envelope applications



MFSSCHAN	
Material	Stainless Steel
Stock Clip Size	3 1/2 Inch
Stock Continuous Length	48 Inch
Custom Lengths Available	Any
Lift Off (1)	3/4 Inch
Projection (2)	1 Inch
Availability	Same Day Shipping

- (1) The "Lift-Off" is the amount you need to raise the panel over its resting height to mount the panel.
- (2) The "Projection" is the distance that the panel sits out from the wall.



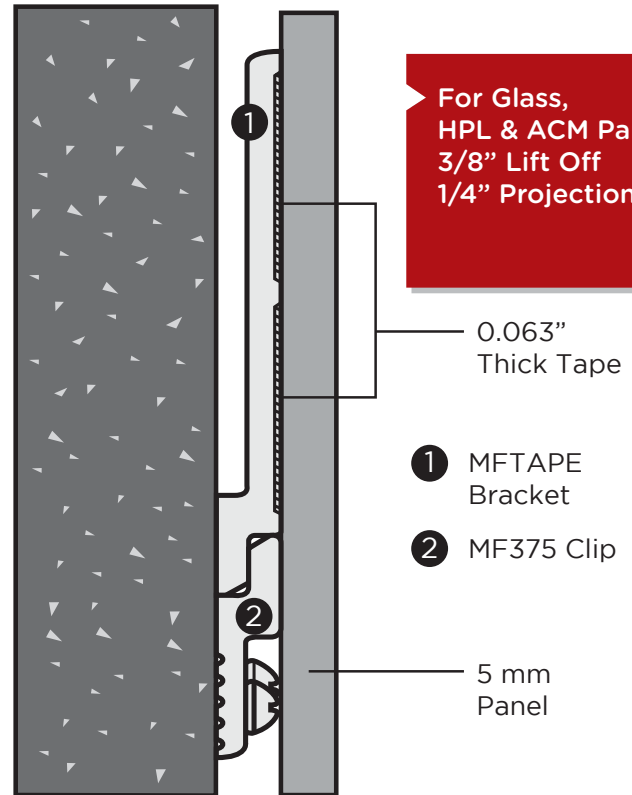
MONARCH Z CLIPS

Hidden Fastening System with 3M High Strength Tape

MFTAPE

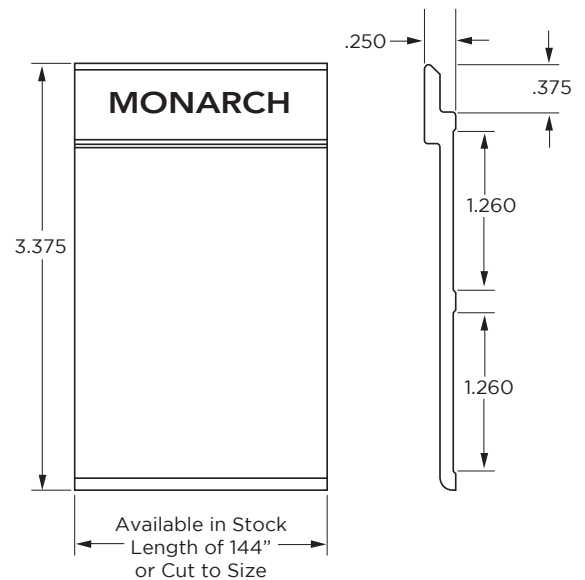
Features:

- Easily used for mounting phenolic, ACM, aluminum and glass panels
- Each 1 ft of clip is rated for 7.5 pounds of shear strength using a 5x factor
- Suitable for interior and exterior applications (examples in 3M design guide)
- 1/2" clearance required between The top of the panel and the ceiling
- 6063-T6 aluminum
- (2) strips of 3M VHB architectural panel tape pre-applied for peel and stick application
- Pairs with MF375 clip for material savings
- Redesign of clip to optimize adhesion with tapes
- Clip can also be purchased without The 3M tape for use with your preferred vendor of glazing tape



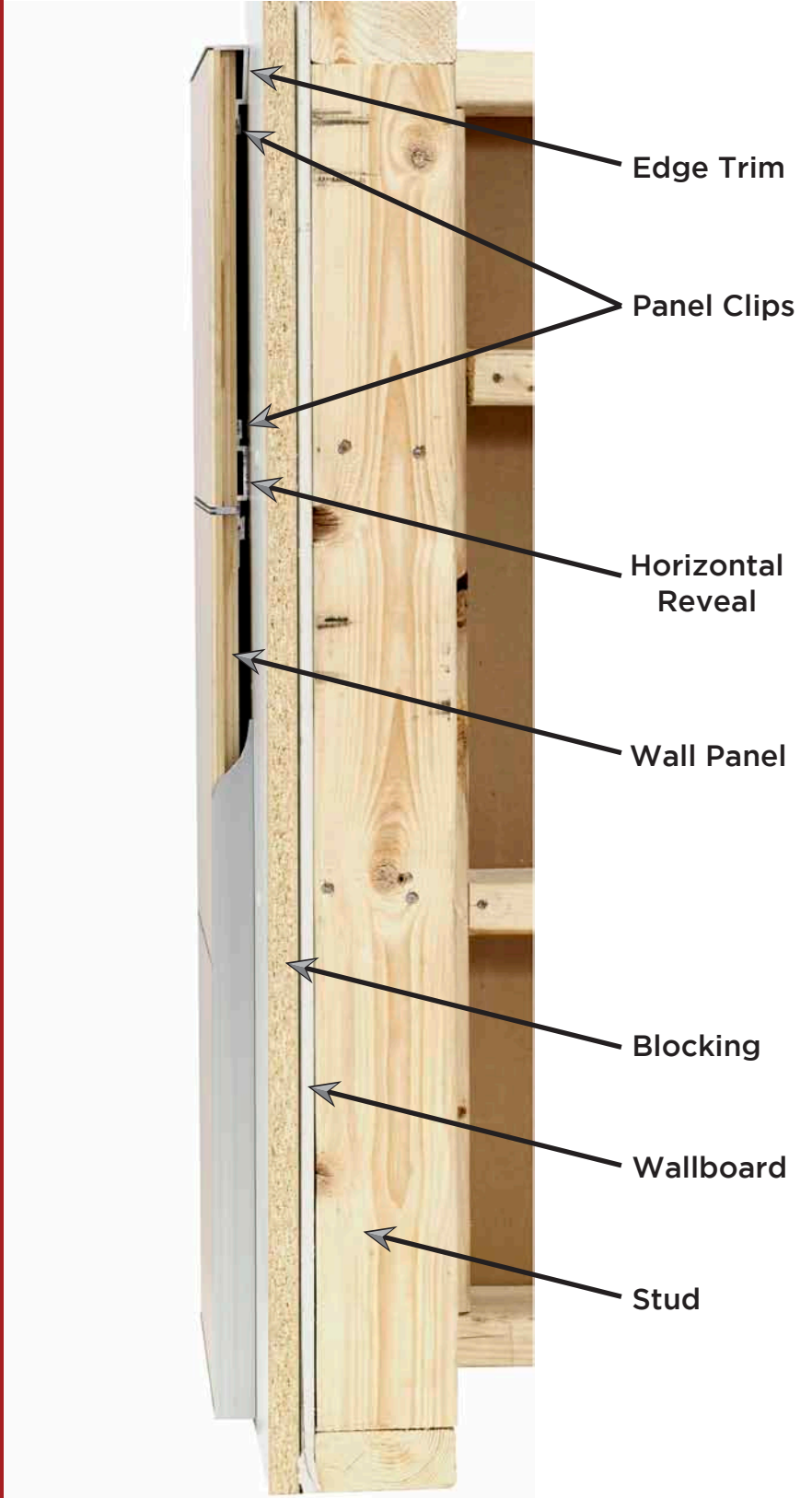
MFTAPE	
Material	Aluminum
Stock Clip Size	2 Inch
Stock Continuous Length	72 Inch, 144 Inch
Custom Lengths Available	Any
Lift Off (1)	3/8 Inch
Projection (2)	.293 Inch
Availability	Same Day Shipping

- (1) The "Lift-Off" is the amount you need to raise the panel over its resting height to mount the panel.
 (2) The "Projection" is the distance that the panel sits out from the wall.





MONARCH
METAL FABRICATION



MONARCH EASY WALL PANEL SYSTEM

PATENT PENDING



System Features 20

Reveal Options 22

Corner & Perimeter Trim Options 24

Stainless Wall Panel System 25

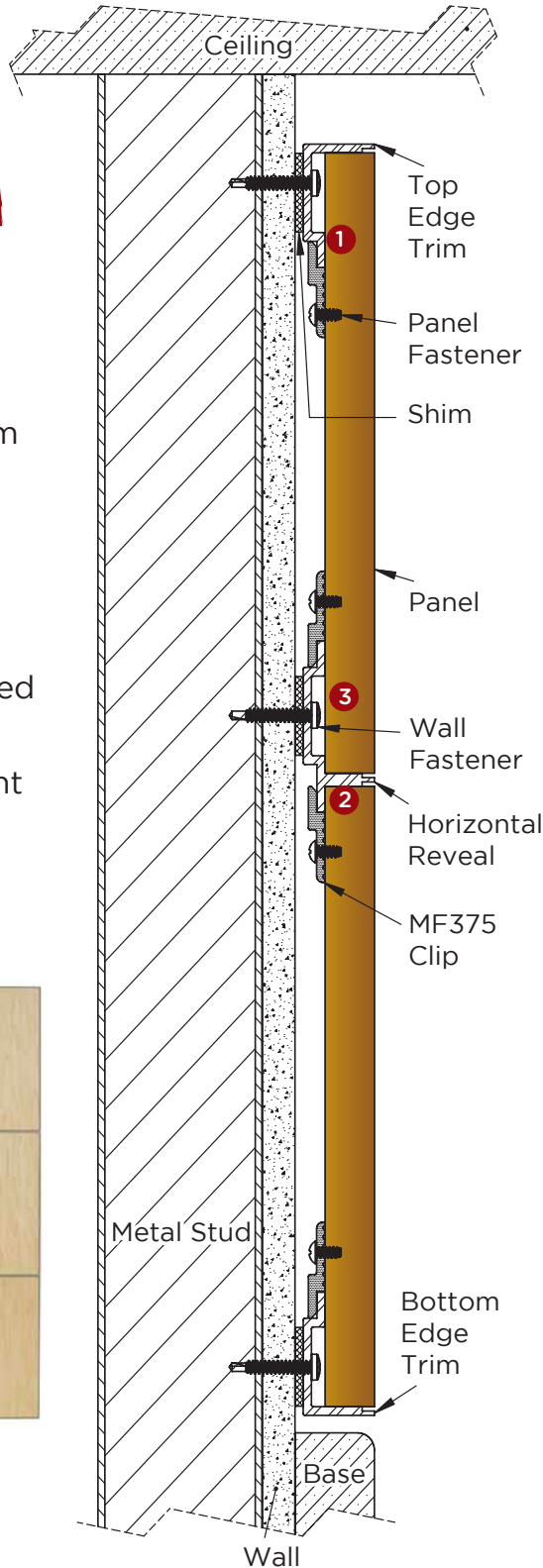
Glass Wall Panel System 28

MONARCH EASY WALL PANEL SYSTEM

Easy Wall Panel System Features

PATENT PENDING

- Aluminum decorative trim for wall panel installations
- Purchase the aluminum trim separately from the panels
- 4 different choices for vertical and horizontal reveals
- Standard clear anodized aluminum finish
- Fast and easy shipment to meet project deadlines



1 Fast & simple installation centered around the intuitive Monarch Z Clip System

2 Four different looks for reveals in stock

NARROW
3/16"

RECESSED
1/16"

NARROW CHANNEL
3/8"

WIDE CHANNEL
1"

3 Option for Horizontal Reveals & Edge Trim to be punched with slotted holes for adjusting into place after mounting.

MONARCH EASY WALL PANEL SYSTEM

Easy Wall Panel System Features

Step 1: Choose a Horizontal Reveal



Narrow
(EPS-H075-N)



Recessed
(EPS-H075-R)



Narrow
Channel
(EPS-H075-NC)



Wide
Channel
(EPS-H075-WC)

Step 2: Choose a Vertical Reveal



Narrow
(EPS-V075-N)



Recessed
(EPS-V075-R)

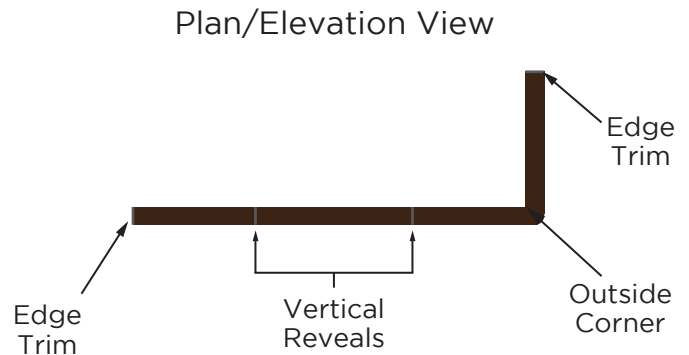
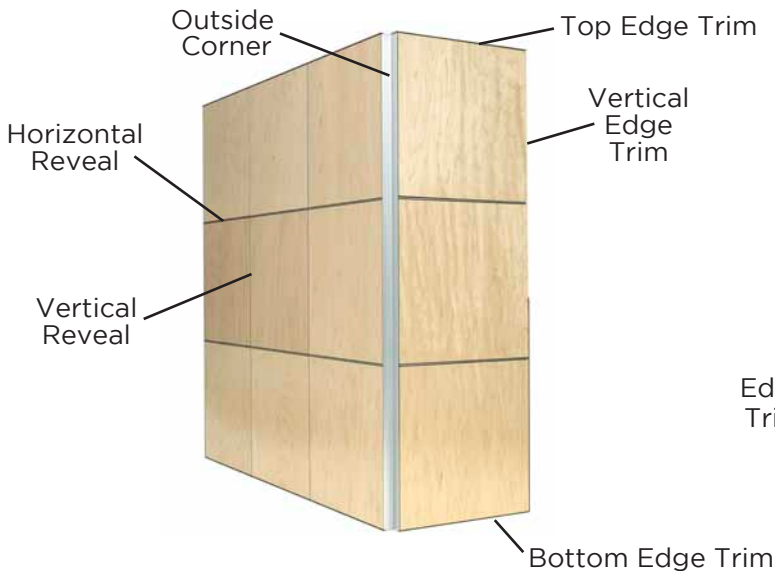


Narrow
Channel
(EPS-V075-NC)



Wide
Channel
(EPS-V075-WC)

Step 3: Choose an Edge Trim and Any Needed Corners

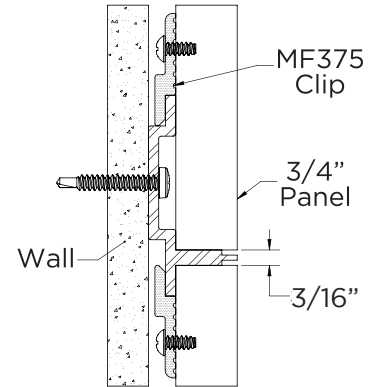


MONARCH EASY WALL PANEL SYSTEM

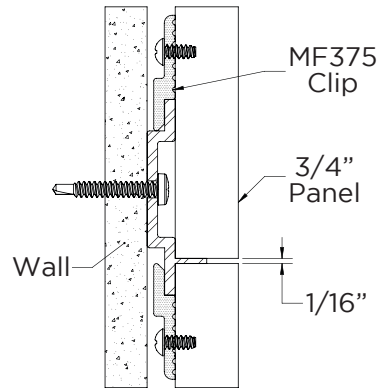
Reveal Options

Horizontal Reveal Options

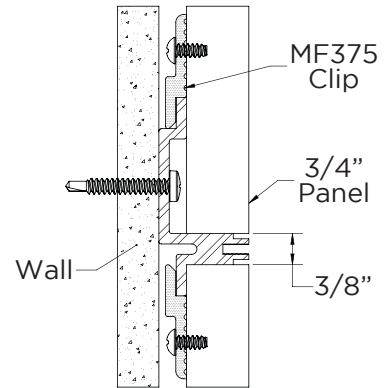
Narrow
(EPS-H075-N)



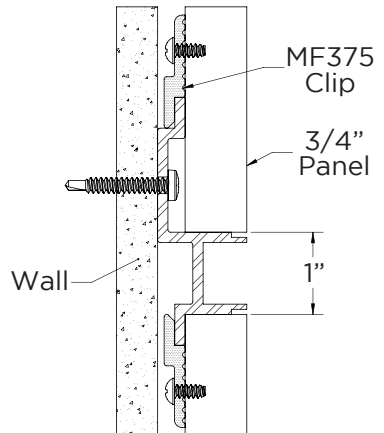
Recessed
(EPS-H075-R)



Narrow Channel
(EPS-H075-NC)



Wide Channel
(EPS-H075-WC)

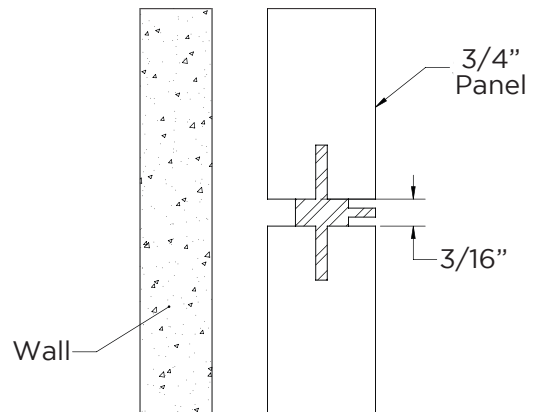


MONARCH EASY WALL PANEL SYSTEM

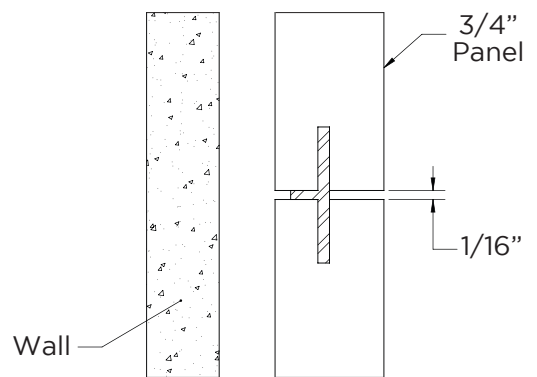
Reveal Options

Vertical Reveal Options

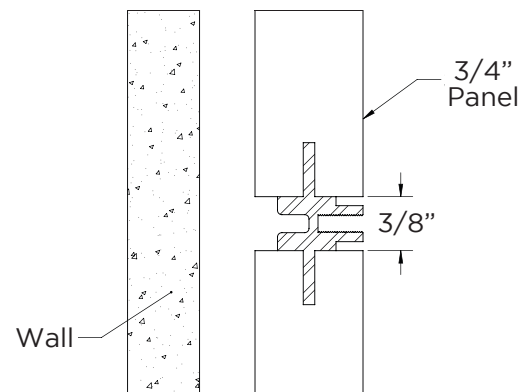
Narrow
(EPS-V075-N)



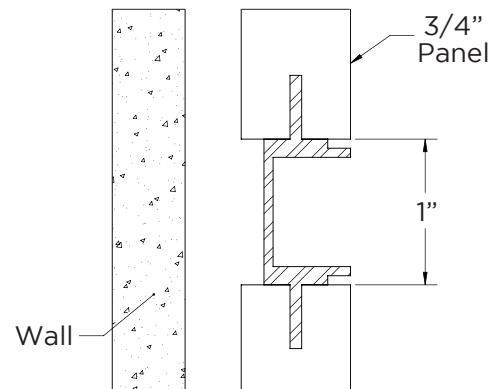
Recessed
(EPS-V075-R)



Narrow Channel
(EPS-V075-NC)



Wide Channel
(EPS-V075-WC)



MONARCH EASY WALL PANEL SYSTEM

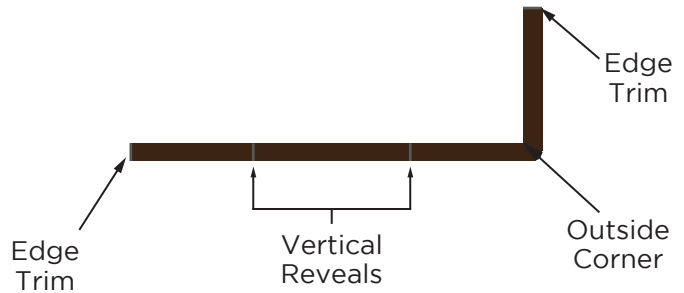
Corner & Perimeter Trim Options

Edge Trim, Inside Corners & Outside Corners

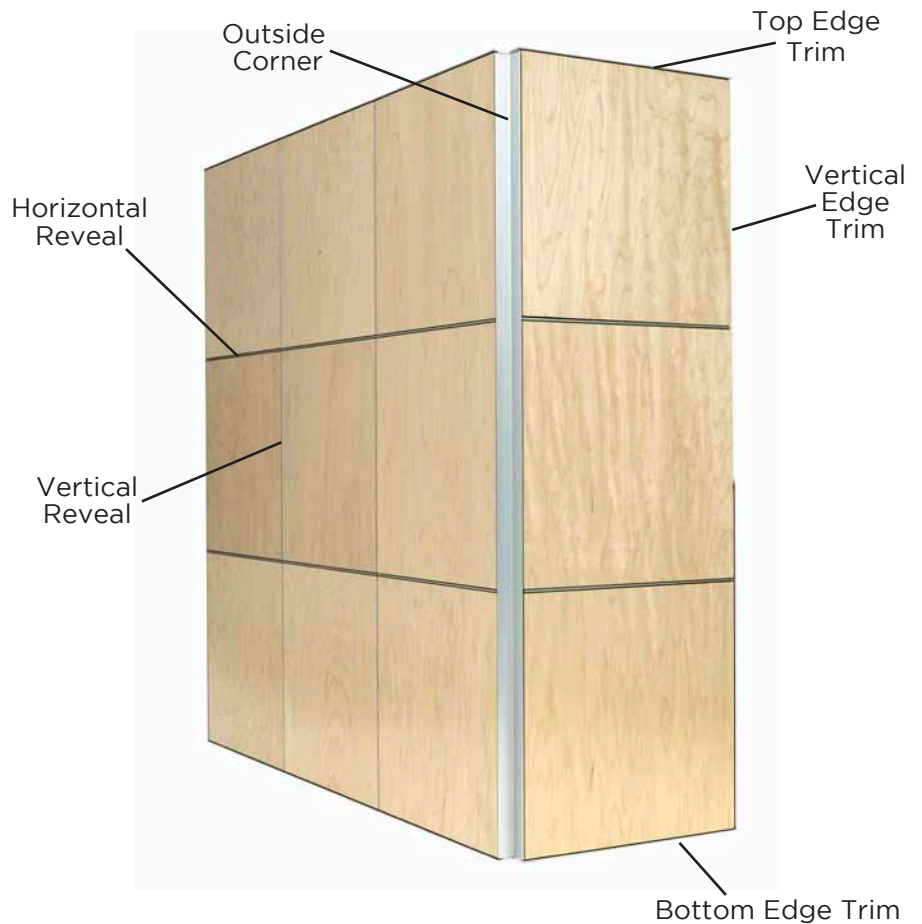
Edge Trim & Inside Corner
(EPS-ET075-N)



Plan/Elevation View



Outside Corner
(EPS-OC075-N)



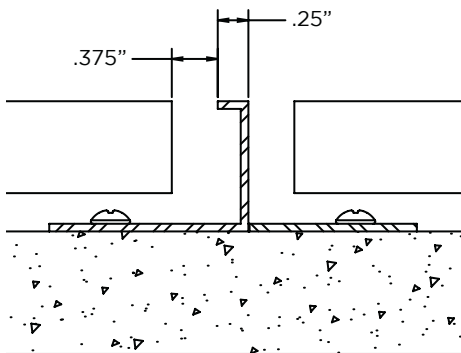
WALL PANEL SYSTEMS

Stainless Steel Wall Panel System

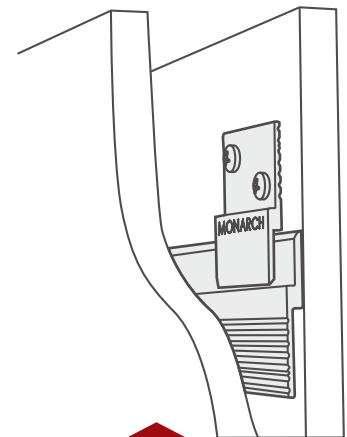
1/4" Exposed Stainless System

Features:

- Exposed 1/4" reveals
- Brushed, mirror & dull finishes available
- Fabricated from 18 ga. stainless steel
- Installation with standard Monarch Z Clips permits easy panel removal for repair
- Requires a 3/8" gap between the panel and the reveal (less with slotted holes)



The trim is notched to create a near seamless intersection



The brushed stainless perimeter is installed level and plumb before adding panels



The panels install on standard Monarch Z Clips

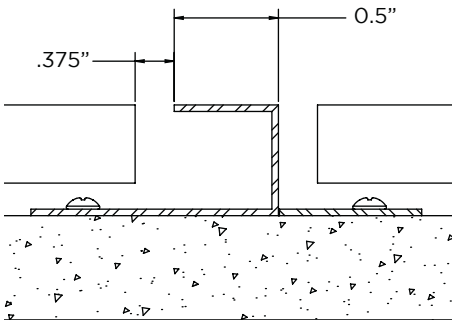
WALL PANEL SYSTEMS

Stainless Steel Wall Panel System

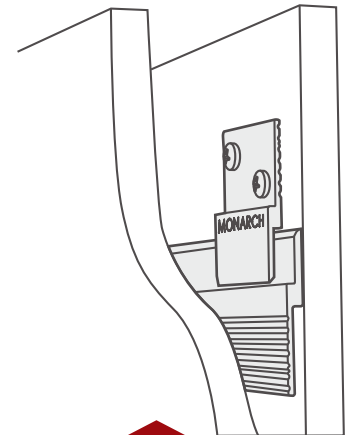
1/2" Exposed Stainless System

Features:

- Exposed 1/2" reveals
- Brushed, mirror & dull finishes available
- Fabricated from 18 Ga. stainless steel
- Installation with standard Monarch Z Clips permits easy panel removal for repair
- Requires a 3/8" gap between the panel and the reveal (less with slotted holes)



The trim is notched to create a near seamless intersection



The brushed stainless perimeter is installed level and plumb before adding panels



The panels install on standard Monarch Z Clips

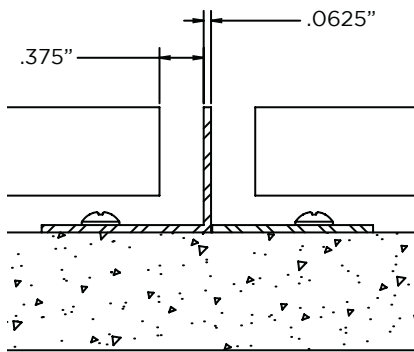
WALL PANEL SYSTEMS

Stainless Steel Wall Panel System

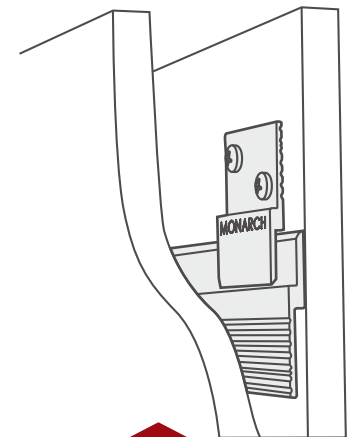
1/16" Exposed Stainless System

Features:

- Exposed 1/16" reveals
- Brushed, mirror & dull finishes available
- Fabricated from 16 Ga. stainless steel
- Installation with standard Monarch Z Clips permits easy panel removal for repair
- Requires a 3/8" gap between the panel and the reveal (less with slotted holes)



The trim is notched to create a near seamless intersection



The brushed stainless perimeter is installed level and plumb before adding panels

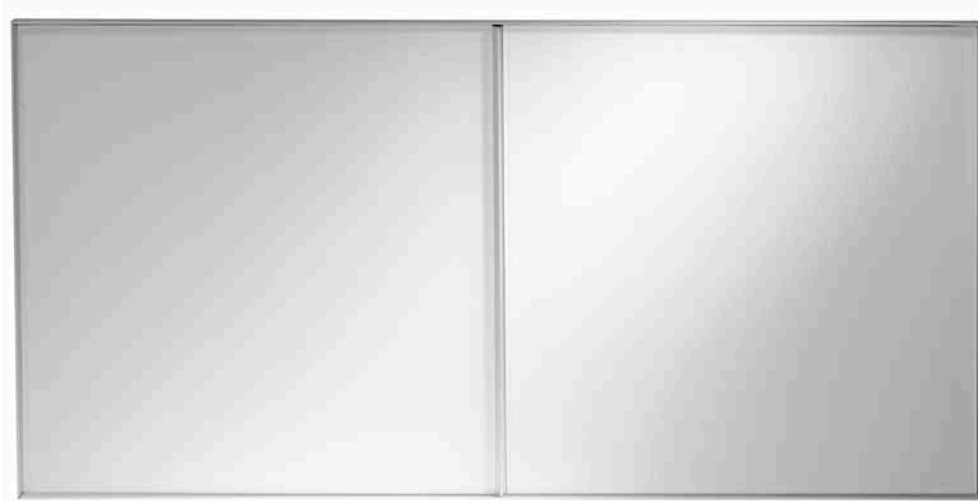


The panels install on standard Monarch Z Clips

WALL PANEL SYSTEMS

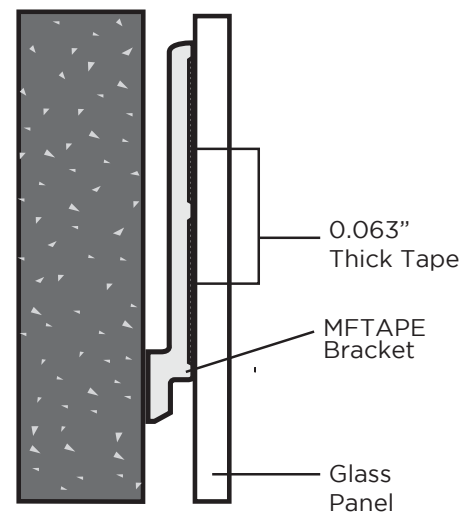
Glass Wall Panel System

Glass Wall Panel System



Features:

- Installs with the Easy Panel System except the Glass Panels are attached using the MFTAPE product that uses 3M VHB Tape
- All of the same reveal options as the Easy Panel System, including narrow, recessed, narrow channel and wide channel

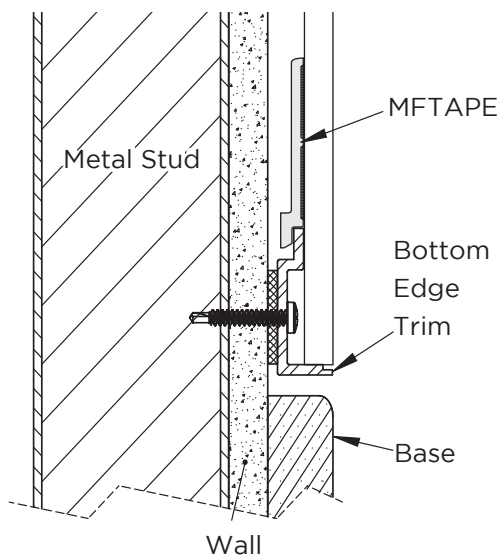


The glass wall panels are attached using the Monarch MFTAPE System

WALL PANEL SYSTEMS

Glass Wall Panel System

The panels then interconnect with the Easy Panel System like any other wall panel



The trim corners miter together seamlessly to create a clean frame

Panels attach using 3M VHB Tape, eliminating the need for drilling



STANDOFFS



- Aluminum Standoffs 33
- Stainless Standoffs 34
- Standoff Barrels 36
- Standoff Hardware 38

STANDOFFS

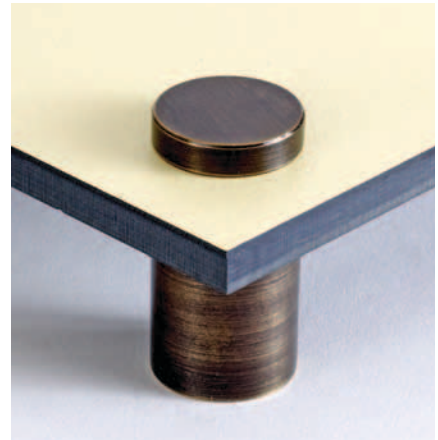
Architectural Grade Materials & Finishes



Stainless Steel
(Brushed Finish)



Aluminum
(Clear Anodized Finish)



Bronze
(Statuary Finish)

Countertop, Panel & Architectural Signage Applications



Countertop support



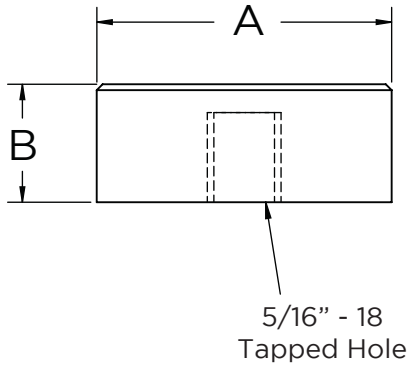
Panel Installation Hardware



Sign Hardware

STANDOFFS

Aluminum Cap Standard



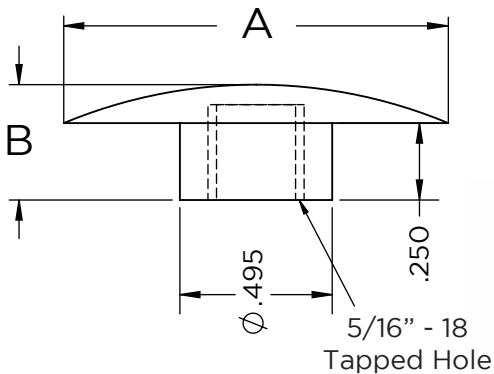
Part No.	Dia. (A)	Height (B)
SO-AL-1CAP	1"	3/8"
SO-AL-1.25CAP	1 1/4"	1/2"
SO-AL-1.5CAP	1 1/2"	1/2"
SO-AL-2CAP	2"	5/8"



Ordering Notes

- Note that the height of the cap varies with the diameter
- Custom sizes are available
- Specify threaded connector length when ordering

Aluminum Cap Low Profile



Part No.	Dia. (A)	Height (B)
SO-AL-1LPCAP	1"	3/8" Total (1/8" Exposed)
SO-AL-1.25LPCAP	1 1/4"	3/8" Total (1/8" Exposed)
SO-AL-1.5LPCAP	1 1/2"	3/8" Total (1/8" Exposed)
SO-AL-2LPCAP	2"	3/8" Total (1/8" Exposed)



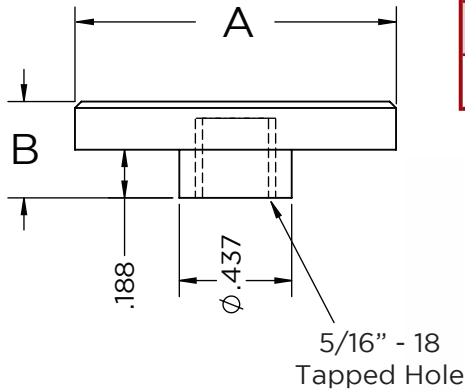
Ordering Notes

- Low profile caps require a 1/2" hole for installation
- Specify threaded connector length when ordering



STANDOFFS

Stainless Steel Cap Standard



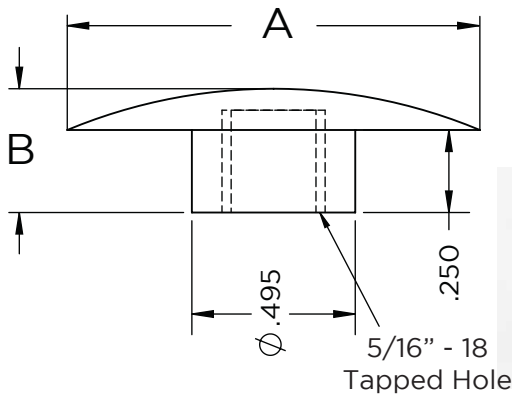
Part No.	Dia. (A)	Height (B)
SO-SS-1CAP	1"	3/8" Total (3/16" Exposed)
SO-SS-1.25CAP	1 1/4"	3/8" Total (3/16" Exposed)
SO-SS-1.5CAP	1 1/2"	3/8" Total (3/16" Exposed)
SO-SS-2CAP	2"	3/8" Total (3/16" Exposed)



Ordering Notes

- Standard stainless caps require a 7/16" hole for installation
- Custom sizes are available
- Specify threaded connector length when ordering

Stainless Steel Cap Low Profile



Part No.	Dia. (A)	Height (B)
SO-SS-1LPCAP	1"	3/8" Total (1/8" Exposed)
SO-SS-1.25LPCAP	1 1/4"	3/8" Total (1/8" Exposed)
SO-SS-1.5LPCAP	1 1/2"	3/8" Total (1/8" Exposed)
SO-SS-2LPCAP	2"	3/8" Total (1/8" Exposed)



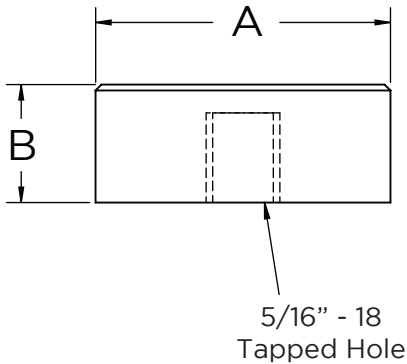
Ordering Notes

- Low profile caps require a 1/2" hole for installation
- Specify threaded connector length when ordering



STANDOFFS

Stainless Steel Cap No Stem



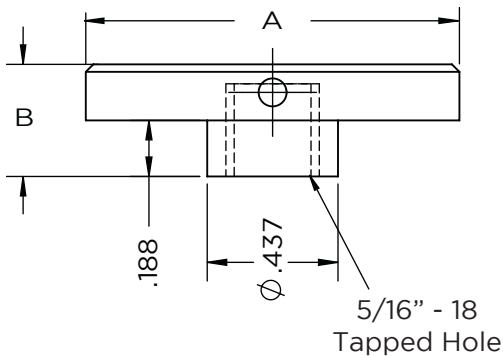
Part No.	Dia. (A)	Height (B)
SO-SS-1NSCAP	1"	3/8"
SO-SS-1.25NSCAP	1 1/4"	1/2"
SO-SS-1.5NSCAP	1 1/2"	1/2"
SO-SS-2NSCAP	2"	5/8"



Ordering Notes

- Please note that you are ordering the "No Stem" cap when ordering
- Custom heights available
- Specify threaded connector length when ordering

Stainless Steel Cap Security Cap



Part No.	Dia. (A)	Height (B)
SO-SS-1SECCAP	1"	3/8" Total (3/16" Exposed)
SO-SS-1.25SECCAP	1 1/4"	3/8" Total (3/16" Exposed)
SO-SS-1.5SECCAP	1 1/2"	3/8" Total (3/16" Exposed)
SO-SS-2SECCAP	2"	3/8" Total (3/16" Exposed)



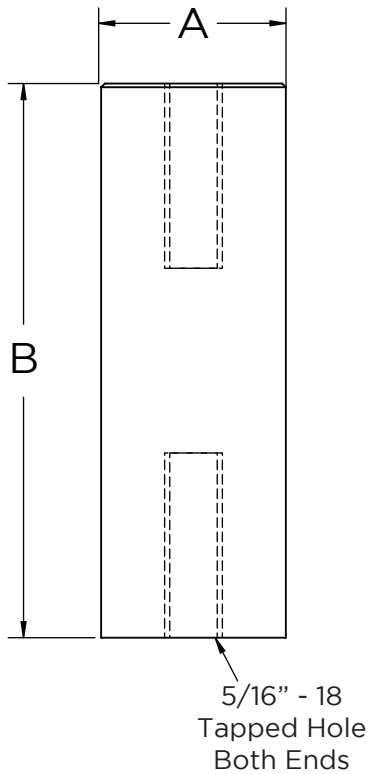
Ordering Notes

- Security caps require a 7/16" hole for installation
- (2) 3/32" holes for tightening with spanner wrench



STANDOFFS

Aluminum Barrels Standard



Ordering Notes

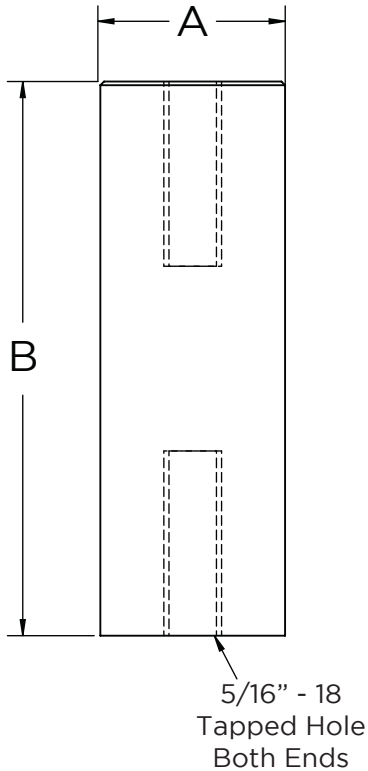
- Custom heights available
- Aluminum Barrels up to 1" in height are tapped thru, while 2" barrels and taller are tapped approximately 7/8" from each end

Part No.	Dia. (A)			
	1" Dia.	1 1/4" Dia.	1 1/2" Dia.	2" Dia.
1"	SO-AL-1BL-1	SO-AL-1.25BL-1	SO-AL-1.5BL-1	SO-AL-2BL-1
2"	SO-AL-1BL-2	SO-AL-1.25BL-2	SO-AL-1.5BL-2	SO-AL-2BL-2
3"	SO-AL-1BL-3	SO-AL-1.25BL-3	SO-AL-1.5BL-3	SO-AL-2BL-3
4"	CUSTOM	CUSTOM	CUSTOM	CUSTOM
6"	CUSTOM	CUSTOM	CUSTOM	CUSTOM



STANDOFFS

Stainless Steel Barrels Standard



Ordering Notes

- Custom sizes are available
- Stainless Barrels up to 1.5" in height are tapped thru, while 2" barrels and taller are tapped approximately 3/4" from each end

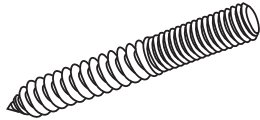
Part No.	Dia. (A)			
	1" Dia.	1 1/4" Dia.	1 1/2" Dia.	2" Dia.
1"	SO-SS-1BL-1	SO-SS-1.25BL-1	SO-SS-1.5BL-1	SO-SS-2BL-1
1 1/2"	SO-SS-1BL-1.5	SO-SS-1.25BL-1.5	SO-SS-1.5BL-1.5	SO-SS-2BL-1.5
2"	SO-SS-1BL-2	SO-SS-1.25BL-2	SO-SS-1.5BL-2	SO-SS-2BL-2
3"	SO-SS-1BL-3	SO-SS-1.25BL-3	SO-SS-1.5BL-3	SO-SS-2BL-3
4"	CUSTOM	CUSTOM	CUSTOM	CUSTOM
6"	CUSTOM	CUSTOM	CUSTOM	CUSTOM



STANDOFFS

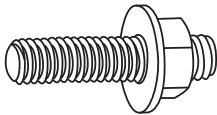
Mounting Hardware

Hanger Bolts



Hanger Bolts				
	Part Number	Overall	Machine Thread	Wood Screw
Option A	HB-A	1 1/2"	5/8"	7/8"
Option B	HB-B	2 1/2"	1"	1 1/2"
Option C	HB-C	4"	2"	2"

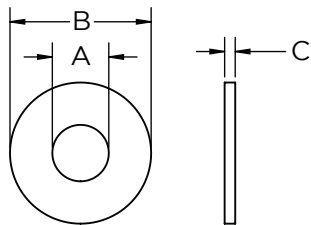
Tabletop Screw with Anchor



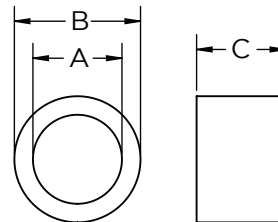
Tabletop Screw with Anchor		
	Part Number	Surface Thickness
Option A	TT-A	1" Thick Surface
Option B	TT-B	1.25" Thick Surface
Option C	TT-C	1.75" Thick Surface

Also Available

Vinyl Washers



Vinyl Tube



Ordering Notes

- Custom sizes are available
- Ask for assistance from your sales representative



RAINSCREEN CLADDING



Overview..... 40

Exposed Fastener System 42

Concealed Fastener System 43

RAINSCREEN CLADDING

Overview

Similar to the way a tent fly works, rain screens sit away from a building's exterior and create a small air gap that helps protect the original structure. Rainscreen systems lend themselves well to energy efficiency and weather protection, as well as hassle-free installation and maintenance.

Monarch Metal supplies a number of aluminum substructure systems that work seamlessly with rainscreens. Our products are compatible with a variety of panel thicknesses and are designed to make mounting rainscreen systems effortless.

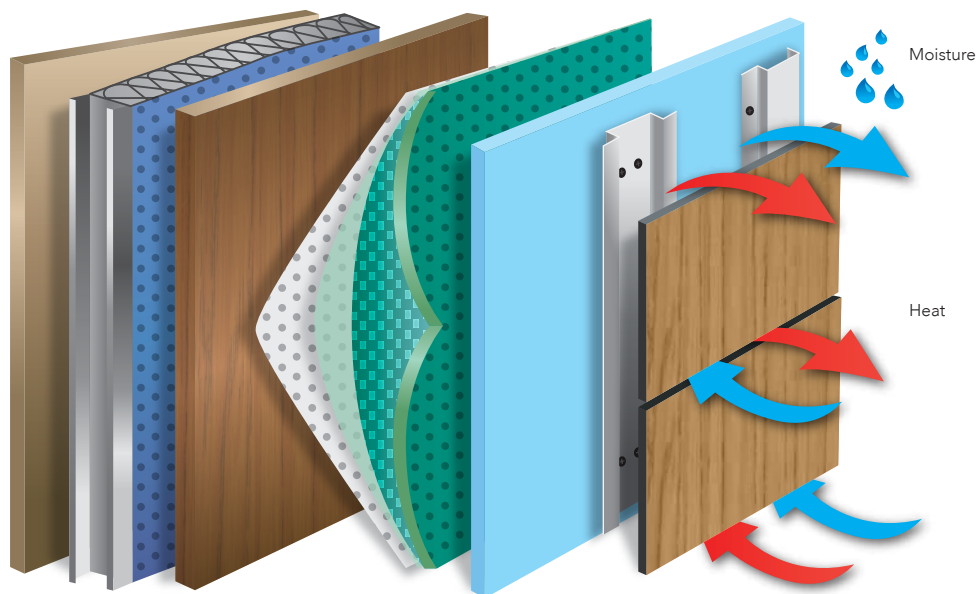


RAINSCREEN CLADDING

Overview

The benefits of rainscreen systems include:

- Durable protection against severe weather
- Excellent indoor and outdoor moisture management
- Easy panel removal, repair, replacement
- Cost-effectiveness and energy efficiency
- Simple post-construction installation



CONTINUOUS AIRFLOW

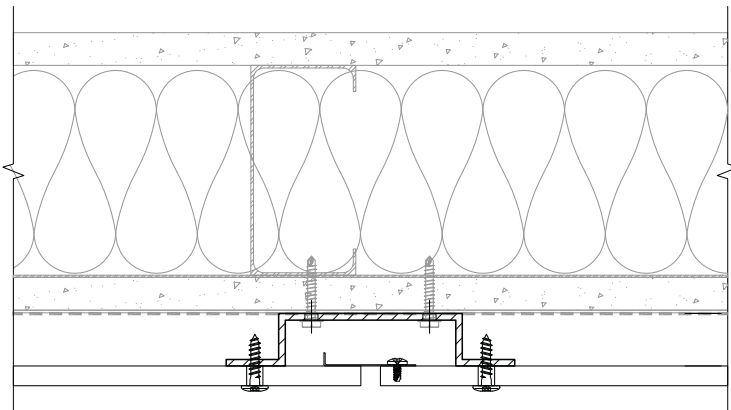
The open joint cladding creates a gap that allows air to flow continuously, aiding in the removal of moisture and heat from rain or condensation.

Rainscreen systems, like Trespa's Meteon system, dually serve as protective facades and mitigation systems. They block solar gain and accommodate continuous insulation, making them energy savers that can reduce heating and cooling costs. They also help improve indoor air quality by reducing the amount of moisture that infiltrates a building, which keeps mold and other harmful contaminants from developing.

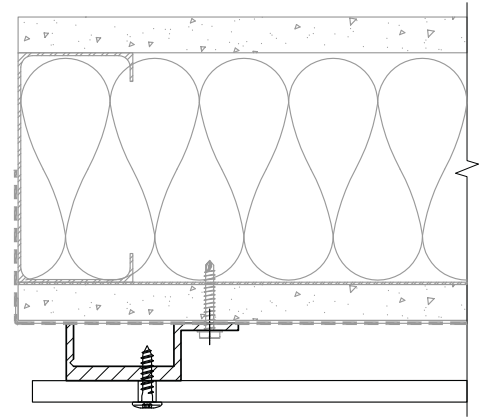
RAINSCREEN CLADDING

Rainscreen System Features

Trespa TS-110 Exposed Fastener System



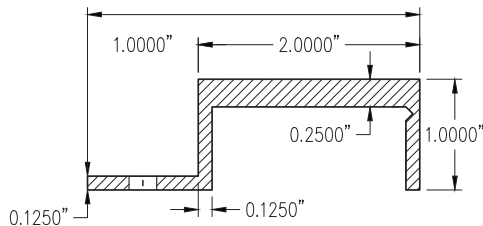
Top-down view



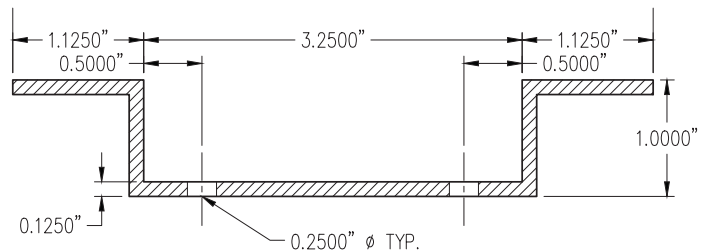
Side view

Features:

- Mounting system for Trespa Meteor drained and back ventilated rainscreen systems
- Compatible with 6mm, 8mm, 10mm and 13mm panel thickness
- J Channel 110-000 & Hat Channel 110-001 available in standard 10 foot lengths
- Sold with 100-000 exposed panel fasteners painted to match the panel color
- Certain Trespa systems in specific configurations meet the performance criteria of NFPA 285
- ICC-ES Structural Testing report available: ESR-1687
- Substructure is LEED qualified and Trespa LEED information is available



110-000 J Channel

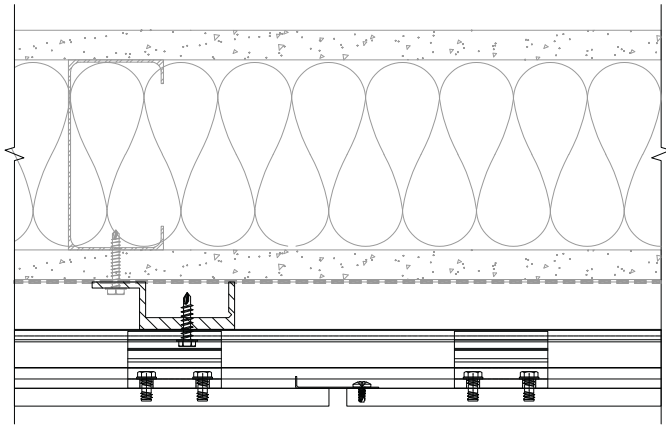


110-000 Hat Channel

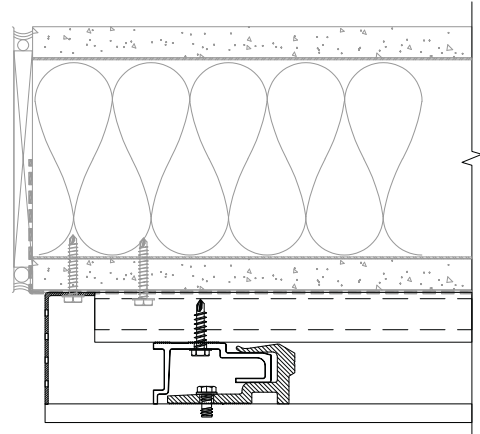
RAINSCREEN CLADDING

Rainscreen System Features

Trespa TS-210 Concealed Fastener System



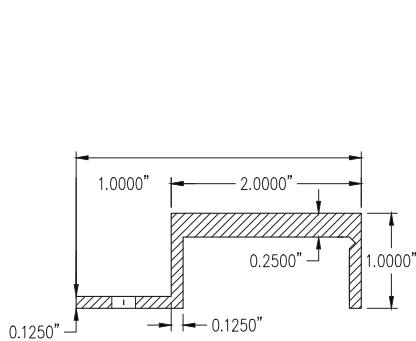
Top-down view



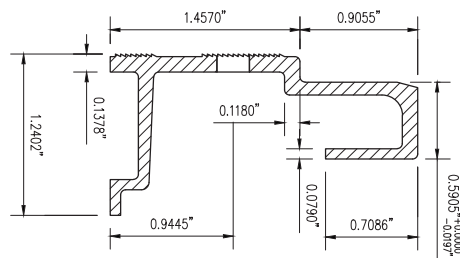
Side view

Features:

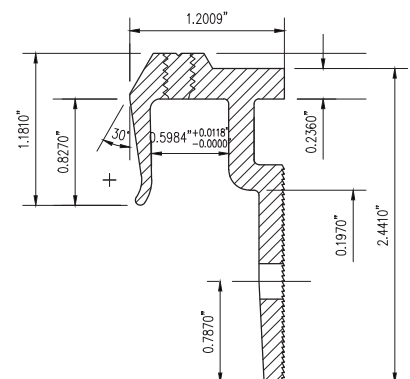
- Mounting system for Trespa Meteor drained and back ventilated rainscreen systems
- Compatible with 10mm and 13mm panel thickness
- J Channel 110-000, Rail 200-000 and Adjustable Bracket 200-003 available
- Sold with TU-S panel fasteners as needed by the end user in addition to the SFS installation tool
- Certain Trespa systems in specific configurations meet the performance criteria of NFPA 285
- ICC-ES Structural Testing report available: ESR-1687
- Substructure is LEED qualified and Trespa LEED information is available



110-000 J Channel



200-000 Rail

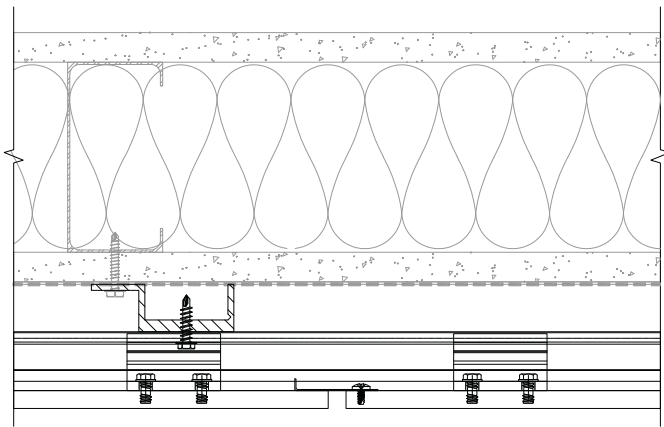


200-003 Adjustable Bracket

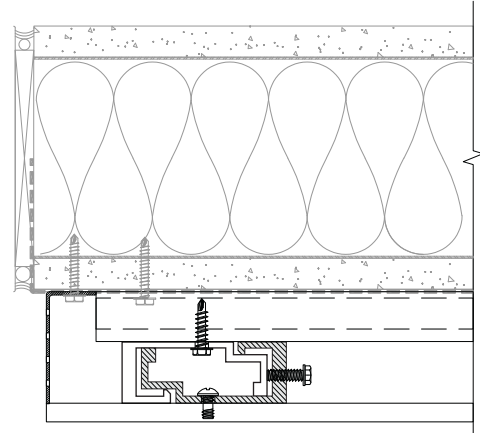
RAINSCREEN CLADDING

Rainscreen System Features

MFSTR-1125 Concealed Fastener System



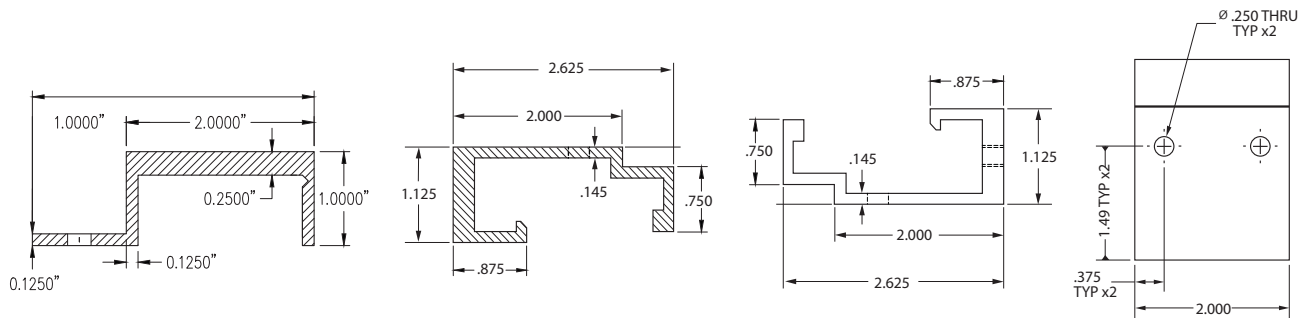
Top-down view



Side view

Features:

- Mounting system for Trespa Meteon drained and back ventilated rainscreen systems
- Compatible with 10mm and 13mm panel thickness
- J Channel 110-000, MFSTR-1125 and 1125 Adjustable Clip
- Sold with TU-S panel fasteners as needed by the end user in addition to the SFS installation tool
- Substructure is LEED qualified



110-000 J Channel

1125 Rail

1125 Clip

1125 Clip
Front View

ARCHITECTURAL METALS



Angle: Aluminum, Stainless and Steel 46

Anodized Angle: Aluminum, Stainless and Structural Shapes 53

Channel: Aluminum, Stainless and Steel 55

Flat Bar: Aluminum, Stainless and Steel 61

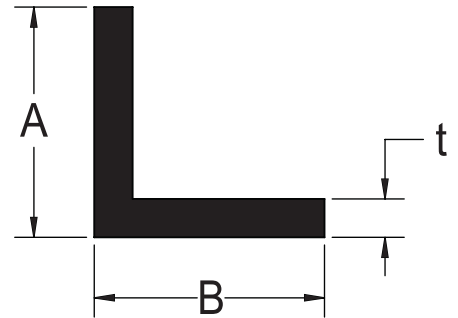
Diamond Tread Plates 66

Aluminum T Bar 68

Aluminum Zees 70

ALUMINUM ANGLE

Architectural Aluminum Angle



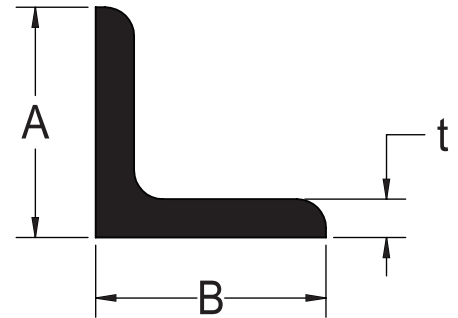
Alloy : **6063 Aluminum**
 Type : Equal Legs & Unequal Legs
 Std Lengths : 16', 8'
 Custom : Available Punched with Holes or Cut to Length
 Finishes : Mill, Brushed, Anodized, Mirror Polished

DIMENSION A		DIMENSION B		THICKNESS t
1/2	x	3/8	x	1/16
		1/2	x	1/16
		1/2	x	1/8
5/8	x	5/8	x	1/8
3/4	x	3/8	x	3/32
		3/8	x	1/8
		3/4	x	1/16
		3/4	x	3/32
		3/4	x	1/8
7/8	x	7/8	x	1/8
1	x	1/2	x	1/16
		1/2	x	3/32
		1/2	x	1/8
		3/4	x	1/8
		1	x	1/16
		1	x	1/8
		1	x	3/16
		1	x	1/4
1 1/4	x	1/2	x	1/8
		3/4	x	1/8
		1	x	1/8
		1 1/4	x	1/8
		1 1/4	x	3/16
		1 1/4	x	1/4

DIMENSION A		DIMENSION B		THICKNESS t
1 1/2	x	1/2	x	1/8
		3/4	x	1/8
		1	x	1/8
		1 1/2	x	1/8
		1 1/2	x	3/16
		1 1/2	x	1/4
1 3/4	x	1 3/4	x	1/8
2	x	1/2	x	1/8
		3/4	x	1/8
		1	x	1/8
		1	x	3/16
		1 1/2	x	1/8
		1 1/2	x	3/16
		1 1/2	x	1/4
		2	x	1/8
		2	x	3/16
		2	x	1/4
2 1/2	x	1 1/2	x	1/8
2 1/2	x	2	x	1/8
		2	x	3/16
		2	x	1/4
		2 1/2	x	1/8
		2 1/2	x	3/16
		2 1/2	x	1/4
2 3/4	x	1 3/4	x	1/4

ALUMINUM ANGLE

Structural Aluminum Angle



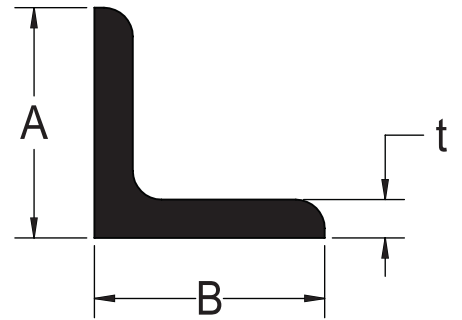
Alloy : **6061 Aluminum**
 Type : Equal Legs & Unequal Legs
 Std Lengths : 25'
 Custom : Available Punched with Holes or Cut to Length
 Finishes : Mill, Brushed, Mirror Polished

DIMENSION A		DIMENSION B		THICKNESS t
3/4	x	3/4	x	1/8
1	x	1	x	1/8 3/16 1/4
1 1/4	x	1 1/4	x	1/8 3/16 1/4
1 1/2	x	1	x	1/4
1 1/2	x	1 1/4	x	1/8 3/16 1/4
1 1/2	x	1 1/2	x	1/8 3/16 1/4
1 3/4	x	1 1/4	x	1/8 1/4
1 3/4	x	1 3/4	x	1/8 3/16 1/4
2	x	1 1/2	x	1/8 3/16 1/4

DIMENSION A		DIMENSION B		THICKNESS t
2	x	2	x	1/8 3/16 1/4 5/16 3/8
2 1/2	x	1 1/2	x	1/8 3/16 1/4
2 1/2	x	2	x	3/16 1/4
2 1/2	x	2 1/2	x	1/8 3/16 1/4 5/16 3/8
3	x	2	x	3/16 1/4 3/8
3	x	2 1/2	x	1/4 3/8
3	x	3	x	3/16 1/4 5/16 3/8 1/2

STAINLESS STEEL ANGLE

Equal & Unequal Leg Stainless Steel Angle



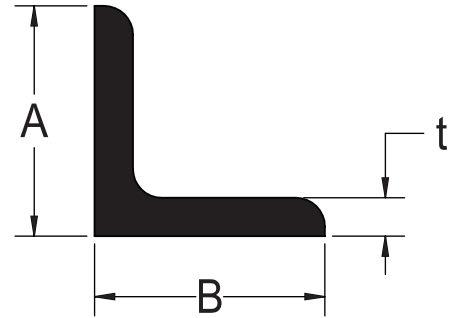
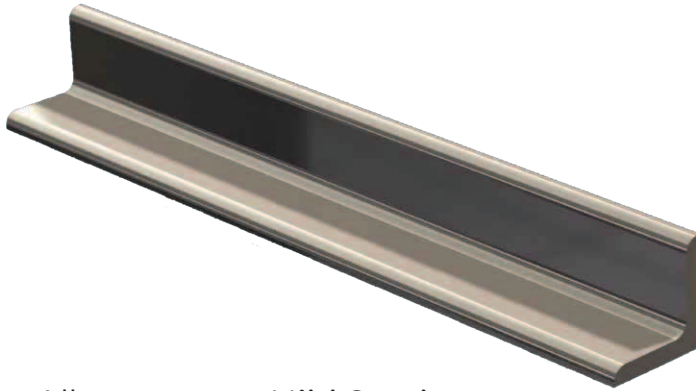
Alloy : **304 or 316 Alloy**
 Type : Equal Legs & Unequal Legs
 Std Lengths : 20'
 Custom : Available Punched with Holes or Cut to Length
 Finishes : Mill, Brushed, Mirror Polished

DIMENSION A		DIMENSION B		THICKNESS t
3/4	x	3/4	x	1/8 3/16
1	x	1	x	1/8 3/16 1/4
1 1/4	x	1 1/4	x	1/8 3/16 1/4
1 1/2	x	1 1/2	x	1/8 3/16 1/4
2	x	2	x	1/8 3/16 1/4 3/8
2 1/2	x	2 1/2	x	3/16 1/4 3/8
3	x	3	x	3/16 1/4 5/16 3/8 1/2

DIMENSION A		DIMENSION B		THICKNESS t
3 1/2	x	3 1/2	x	1/4
4	x	4	x	1/4 3/8 1/2
5	x	5	x	3/8
6	x	3	x	3/8
		6	x	3/8

STEEL ANGLE

Equal & Unequal Leg Steel Angle



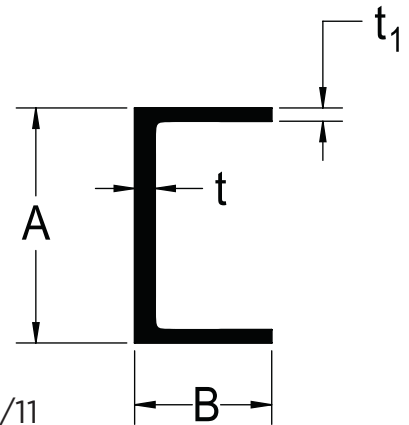
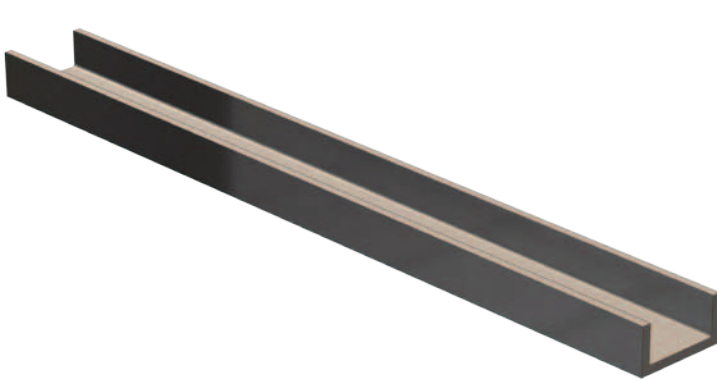
Alloy : **Mild Steel**
 Type : Equal Legs & Unequal Legs
 Std Lengths : 20'
 Custom : Available Punched with Holes or Cut to Length
 Finishes : Mill

DIMENSION A		DIMENSION B		THICKNESS t
1/2	x	1/2	x	1/8
3/4	x	3/4	x	1/8
1	x	1	x	1/8 3/16 1/4
1 1/4	x	1 1/4	x	1/8 3/16
1 1/2	x	1 1/2	x	1/8 3/16 1/4
1 3/4	x	1 3/4	x	1/8 3/16 1/4
2	x	2	x	1/8 3/16 1/4 5/16 3/8
2 1/2	x	2 1/2	x	3/16 1/4 5/16 3/8 1/2

DIMENSION A		DIMENSION B		THICKNESS t
3	x	2	x	1/4 3/8 1/2
		2 1/2	x	1/4 3/8 1/2
		3	x	1/4 3/8 1/2
3 1/2	x	2 1/2	x	1/4 1/2 1/4 1/2
		3 1/2	x	1/4 1/2
4	x	3	x	1/4 3/8 1/4 3/8 1/2
5	x	3	x	1/4 5/16 3/8 1/2

STAINLESS STEEL CHANNEL - SHARP CORNER

Stainless Sharp Corner Channel



Alloy : Stainless Steel ASTM A1069/A1069M/11
 Type : Equal Legs & Unequal Legs
 Std Lengths : 20'
 Custom : Available Punched with Holes or Cut to Length
 Finishes : Bead Blasted as Mill, Brushed, or Mirror Polished

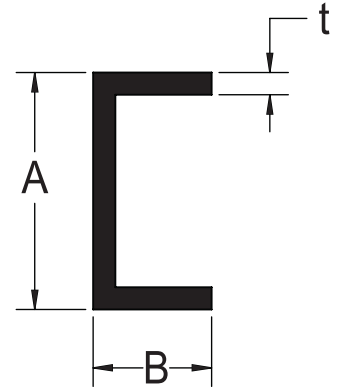
BASE A		BASE t		FLANGE B		FLANGE t ₁
3	x	.258	x	1.498	x	.273
		.356	x	1.596	x	.273
6	x	.437	x	2.157	x	.343
7	x	.437	x	2.157	x	.343
		.210	x	2.090	x	.366
		.314	x	2.194	x	.366
		.419	x	2.299	x	.366
8	x	.220	x	2.260	x	.390
		.303	x	2.343	x	.390
9	x	.233	x	2.433	x	.413
		.285	x	2.485	x	.413
		.448	x	2.648	x	.413

BASE A		BASE t		FLANGE B		FLANGE t ₁
10	x	.240	x	2.600	x	.436
		.379	x	2.739	x	.436
		.526	x	2.886	x	.436
		.673	x	3.033	x	.436
12	x	.282	x	2.942	x	.501
		.387	x	3.047	x	.501
		.510	x	3.170	x	.501
15	x	.400	x	3.400	x	.650
		.520	x	3.520	x	.650
		.716	x	3.716	x	.650

- Minimum Order Applies •
- Please Call 631-563-8967 •

ALUMINUM CHANNEL

Aluminum Sharp Corner Channel ("C Channel" / "U Channel")



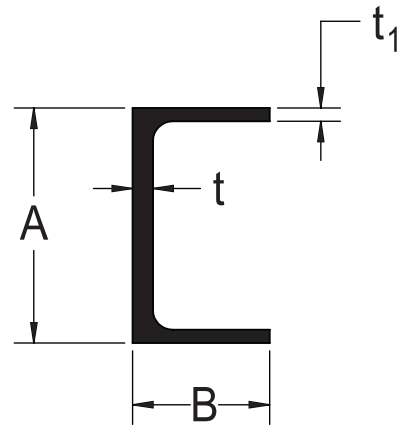
Alloy : **6063 Aluminum**
 Type : Sharp Corner
 Std Lengths : 16', 8'
 Custom : Available Drilled with Holes or Cut to Length
 Finishes : Mill, Brushed Finish, Anodized, Mirror Polished

DIMENSION A		DIMENSION B		THICKNESS t
3/8	x	3/8	x	1/16
1/2	x	3/8	x	1/8
		1/2	x	3/32
		3/4	x	1/8
5/8	x	5/8	x	1/8
3/4	x	3/8	x	1/8
		1/2	x	1/16
		1/2	x	1/8
		3/4	x	1/8
		1	x	1/8
		1 1/2	x	1/8
1	x	1/2	x	1/8
		3/4	x	1/8
		1	x	1/8
		1 1/2	x	1/8
		2	x	1/8
1 1/8	x	1 1/8	x	1/8
1 1/4	x	1/2	x	1/8
		3/4	x	1/8
		1 1/4	x	1/8
1 1/2	x	1/2	x	1/8
		3/4	x	1/8
		1	x	1/8
		1 1/2	x	1/8

DIMENSION A		DIMENSION B		THICKNESS t
1 3/4	x	3/4	x	1/8
		1	x	1/8
		1 3/4	x	1/8
2	x	1/2	x	1/8
		1	x	1/8
		1	x	3/16
		1 1/2	x	1/8
		2	x	1/8
		2	x	1/4
2 1/4	x	7/8	x	1/8
2 3/8	x	1 1/4	x	3/16
2 1/2	x	1	x	1/8
		1 1/2	x	1/8
3	x	1/2	x	1/8
		1	x	1/8
		2	x	1/8
		3	x	1/8
4	x	1 1/2	x	1/8
5	x	2	x	3/16

ALUMINUM CHANNEL

Aluminum Association Aluminum Channel



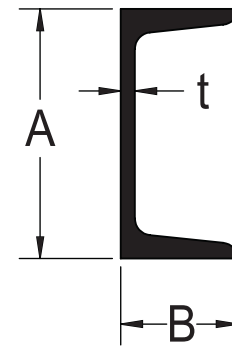
Alloy : **6061 Aluminum**
 Type : Aluminum Association
 Std Lengths : 25'
 Custom : Available Drilled with Holes or Cut to Length
 Finishes : Mill, Brushed Finish, Mirror Polished

BASE A		BASE t		FLANGE B		FLANGE t ₁
2	x	.130	x	1	x	.130
		.170	x	1 1/4	x	.260
3	x	.130	x	1 1/2	x	.200
		.170	x	1 3/4	x	.260
4	x	.150	x	2	x	.230
		.190	x	2 1/4	x	.290
5	x	.150	x	2 1/4	x	.260
		.190	x	2 3/4	x	.320
6	x	.170	x	2 1/2	x	.290
		.210	x	3 1/4	x	.350

BASE A		BASE t		FLANGE B		FLANGE t ₁
7	x	.170	x	2 3/4	x	.290
		.210	x	3 1/2	x	.380
8	x	.190	x	3	x	.350
		.250	x	3 3/4	x	.410
9	x	.230	x	3 1/4	x	.350
		.290	x	4	x	.440
10	x	.250	x	3 1/2	x	.410
		.310	x	4 1/4	x	.500
12	x	.290	x	4	x	.470
		.350	x	5	x	.620

ALUMINUM CHANNEL

American Standard Aluminum Channel



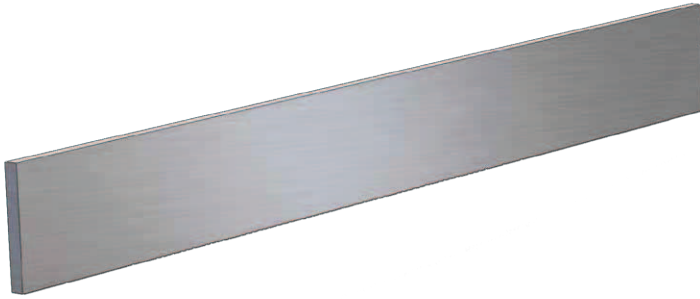
Alloy : **6061 Aluminum**
 Type : American Standard
 Std Lengths : 25'
 Custom : Available Drilled with Holes or Cut to Length
 Finishes : Mill, Brushed Finish, Mirror Polished

DIMENSION A		DIMENSION B		THICKNESS t
3	x	1.41	x	.170
		1.50	x	.258
		1.60	x	.356
4	x	1.58	x	.180
		1.65	x	.247
		1.72	x	.320
5	x	1.75	x	.190
		1.89	x	.325
		2.03	x	.472
6	x	1.92	x	.200
		1.95	x	.225
		2.03	x	.314
		2.16	x	.437
7	x	2.11	x	.230
		2.19	x	.314
8	x	2.29	x	.250
		2.34	x	.303
		2.53	x	.487
9	x	2.43	x	.230
		2.65	x	.448
10	x	2.60	x	.240
		2.89	x	.526

DIMENSION A		DIMENSION B		THICKNESS t
12	x	2.96	x	.300
		3.05	x	.387
		3.17	x	.510
15	x	3.40	x	.400
		3.72	x	.716

FLAT BAR

Aluminum Flat Bar



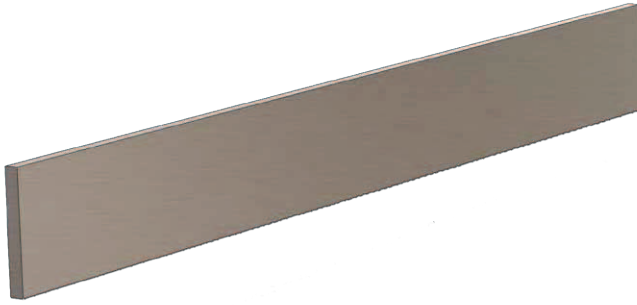
Alloy : **6063 Aluminum**
 Type : ASTM B 221
 Std Lengths : 16', 8'
 Custom : Available Punched with Holes or Cut to Length
 Finishes : Mill, Brushed Finish, Anodized, Mirror Polished

THICKNESS		DIMENSION	
t		A	
1/8	x	1/8	1/8
			1/2
			3/4
			1
			1 1/4
			1 1/2
			1 3/4
			2
3/16	x	3/16	3/16
			1/2
			3/4
			1
			1 1/4
			1 1/2
			1 3/4
			2
1/4	x	1/4	1/4
			1/2
			5/8
			3/4
			1
			1 1/2
			2
			2 1/2
	3		
	4		

THICKNESS		DIMENSION	
t		A	
3/8	x	3/8	3/8
			3/4
			1
			1 1/2
			2
			2 1/2
			3
			4
1/2	x	1/2	1/2
			3/4
			1
			1 1/4
			1 1/2
3/4	x	3/4	3/4
			1
			1 1/4
1	x	1	1 1/2
			1 1/2

FLAT BAR

Stainless Steel Flat Bar



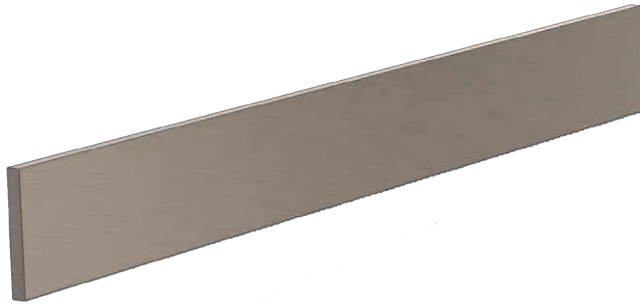
Alloy : **304 or 316 Alloy**
 Type : ASTM A 276/479
 Std Lengths : 12'
 Custom : Available Punched with Holes or Cut to Length
 Finishes : Mill, Brushed Finish, Mirror Polished

THICKNESS		DIMENSION	
t		A	
1/8	x	1/8	1/8
		1/4	1/4
		3/8	3/8
		1/2	1/2
		5/8	5/8
		3/4	3/4
		7/8	7/8
		1	1
		1 1/4	1 1/4
		1 1/2	1 1/2
		1 3/4	1 3/4
		2	2
		2 1/2	2 1/2
1/4	x	1/4	1/4
		3/8	3/8
		1/2	1/2
		5/8	5/8
		3/4	3/4
		7/8	7/8
		1	1
		1 1/4	1 1/4
		1 1/2	1 1/2
		1 3/4	1 3/4
		2	2
		2 1/4	2 1/4
		2 1/2	2 1/2
3	3		
3 1/2	3 1/2		

THICKNESS		DIMENSION	
t		A	
5/16	x	5/16	5/16
		1/2	1/2
		3/4	3/4
		1	1
		1 1/4	1 1/4
		1 1/2	1 1/2
		1 3/4	1 3/4
		2	2
		2 1/4	2 1/4
		2 1/2	2 1/2
		3	3
		4	4
		3/8	x
1/2	1/2		
5/8	5/8		
3/4	3/4		
1	1		
1 1/4	1 1/4		
1 1/2	1 1/2		
1 3/4	1 3/4		
2	2		
2 1/4	2 1/4		
2 1/2	2 1/2		
3	3		
3 1/2	3 1/2		
4	4		
4 1/2	4 1/2		
5	5		
6	6		

FLAT BAR

Stainless Steel Flat Bar



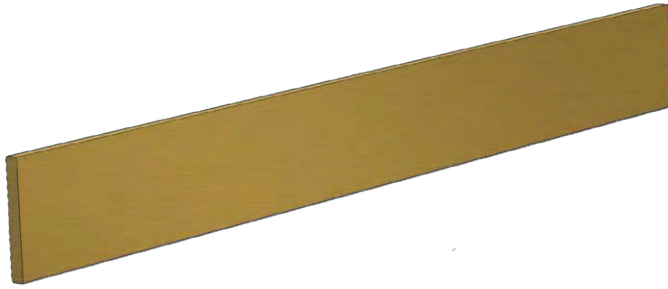
Alloy : **304 or 316 Alloy**
 Type : ASTM A 276/479
 Std Lengths : 12'
 Custom : Available Punched with Holes or Cut to Length
 Finishes : Mill, Brushed Finish, Mirror Polished

THICKNESS		DIMENSION	
t		A	
1/2	x	1/2	1/2
			3/4
			7/8
			1
			1 1/4
			1 1/2
			1 3/4
			2
			2 1/2
			3
			3 1/2
			4
	4 1/2		
	5		
	6		
5/8	x	5/8	5/8
			3/4
			1
			1 1/4
			1 1/2
			1 3/4
			2
			2 1/4
			2 1/2
			3
			3 1/2
			4
	5		
	6		

THICKNESS		DIMENSION	
t		A	
3/4	x	3/4	3/4
			1
			1 1/4
			1 1/2
			1 3/4
			2
			2 1/4
			2 1/2
			3
			3 1/2
			4
			4 1/2
	5		
	6		
7/8	x	7/8	1
			1 1/4
			1 1/2
1	x	1	1 1/4
			1 1/2
			1 3/4
			2
			2 1/4
			2 1/2
			3
			3 1/2
			4
			4 1/2
			5
			6

FLAT BAR

Brass Flat Bar

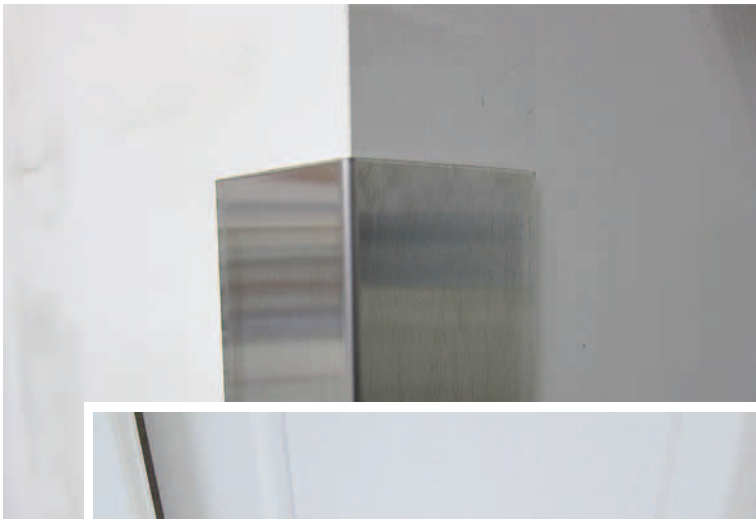


Alloy : **360 Alloy**
 Type : ASTM B 16
 Std Lengths : 12'
 Custom : Available Punched with Holes or Cut to Length
 Finishes : Mill, Brushed Finish, Mirror Polished

THICKNESS		DIMENSION	
t		A	
1/8	x	1/8	3/16
		1/4	5/16
		3/8	1/2
		5/8	3/4
		7/8	1
		1	1 1/4
		1 1/4	1 1/2
		1 3/4	2
		2	2 1/4
		2 1/4	2 1/2
		3	3
		3 1/2	3 1/2
		4	4
		3/16	x
1/2	5/8		
3/4	7/8		
1	1		
1 1/4	1 1/4		
1 1/2	1 1/2		
1 3/4	1 3/4		
2	2		
2 1/2	2 1/2		
3	3		

THICKNESS		DIMENSION	
t		A	
3/16	x	3	3 1/2
		4	4
		5	5
1/4	x	1/4	1/4
		5/16	3/8
		3/8	1/2
		5/8	5/8
		3/4	3/4
		7/8	7/8
		1	1
		1 1/4	1 1/4
		1 1/2	1 1/2
		1 3/4	1 3/4
5/16	x	5/16	3/8
		1/2	5/8
		3/4	7/8
		1	1
		1 1/4	1 1/4
		1 1/2	1 1/2
		1 3/4	1 3/4
		2	2
		2 1/2	2 1/2
		3	3

CORNER GUARDS & KICK PLATES

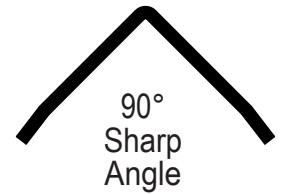
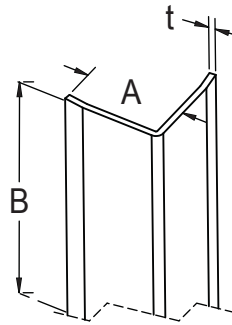


Corner Guards 74

Kick Plates 75

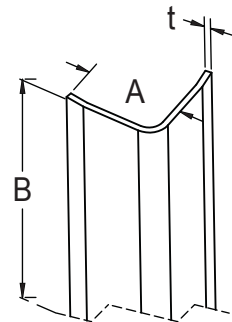
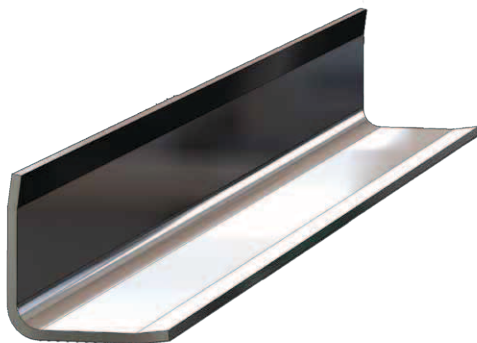
CORNER GUARDS

Stainless Steel & Aluminum



Alloy : **304 Stainless, Aluminum, Diamond Plate**
 Type : 16 Gauge (Standard), 14 Ga., 18 Ga.
 Std Lengths : 4', 8'
 Custom : Available Punched with Holes or Cut to Length
 Finishes : Brushed Finish, Mirror Polished

DIMENSION A	DIMENSION B	THICKNESS t	PRICE	STANDARD
90° Angle				
1 1/4	x 48	x 1/16	\$31.35	16 Ga Stainless Steel, Adhesive Mounted
1 1/4	x 96	x 1/16	\$53.65	16 Ga Stainless Steel, Adhesive Mounted
1 1/2	x 48	x 1/16	\$36.94	16 Ga Stainless Steel, Adhesive Mounted
1 1/2	x 96	x 1/16	\$63.27	16 Ga Stainless Steel, Adhesive Mounted
2 1/2	x 48	x 1/16	\$55.90	16 Ga Stainless Steel, Adhesive Mounted
2 1/2	x 96	x 1/16	\$100.49	16 Ga Stainless Steel, Adhesive Mounted
3 1/2	x 48	x 1/16	\$78.82	16 Ga Stainless Steel, Adhesive Mounted
3 1/2	x 96	x 1/16	\$141.61	16 Ga Stainless Steel, Adhesive Mounted

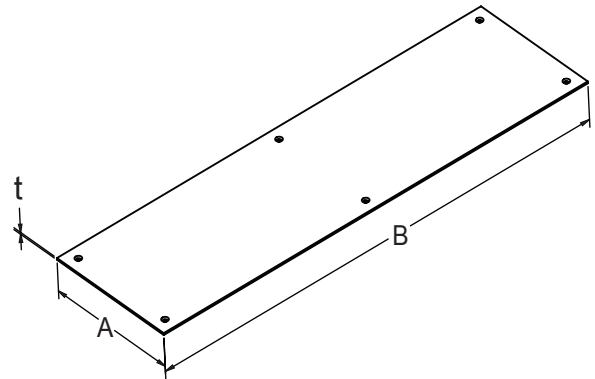
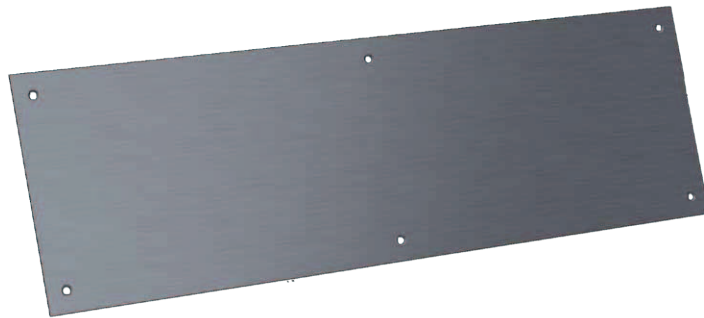


Bullnose				
3 1/2	x 48	x 1/16	\$78.82	16 Ga Stainless Steel, Adhesive Mounted
3 1/2	x 96	x 1/16	\$141.61	16 Ga Stainless Steel, Adhesive Mounted

- Custom Shapes & Sizes Available •
- Please Call 631-563-8967 •

KICK PLATES

Stainless Steel & Aluminum



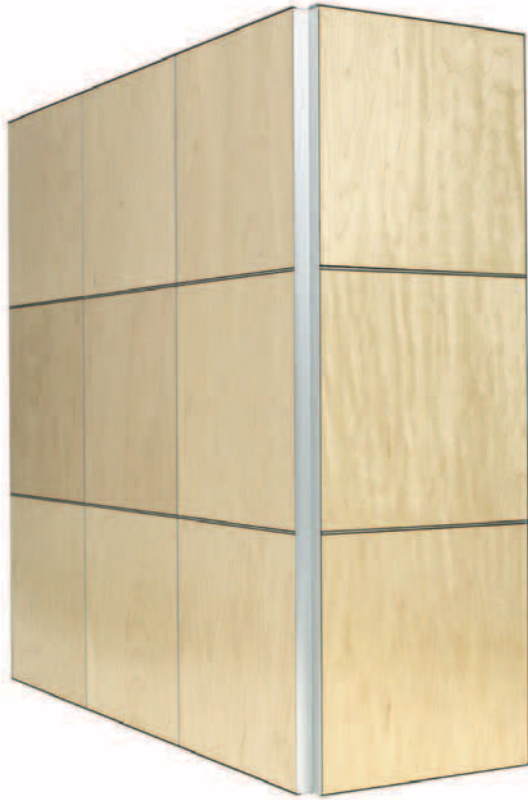
Alloy : **304 Stainless, Aluminum, Bronze, Brass**
 Type : 18 Gauge (Standard), 16 Ga., 11 Ga.
 Std Lengths : See Below
 Custom : Available with Rough Finish for Adhesive, Punched,
 or Punched & Countersunk
 Finishes : Mill, Brushed Finish, Mirror Polished

DIMENSION A		DIMENSION B		THICKNESS t	TYPE	PRICE	STANDARD
24	x	34	x	18 Ga.	Armor Plate	\$38.63	18 Ga Stainless, No Holes
28	x	6	x	18 Ga.	Mop Plate	\$16.09	18 Ga Stainless, No Holes
28	x	8	x	18 Ga.	Kick Plate	\$18.79	18 Ga Stainless, No Holes
28	x	10	x	18 Ga.	Kick Plate	\$26.80	18 Ga Stainless, No Holes
28	x	12	x	18 Ga.	Kick Plate	\$32.17	18 Ga Stainless, No Holes
28	x	36	x	18 Ga.	Armor Plate	\$90.95	18 Ga Stainless, No Holes
28	x	42	x	18 Ga.	Armor Plate	\$130.50	18 Ga Stainless, No Holes
30	x	6	x	18 Ga.	Mop Plate	\$17.23	18 Ga Stainless, No Holes
30	x	8	x	18 Ga.	Kick Plate	\$20.10	18 Ga Stainless, No Holes
30	x	10	x	18 Ga.	Kick Plate	\$28.71	18 Ga Stainless, No Holes
30	x	12	x	18 Ga.	Kick Plate	\$34.46	18 Ga Stainless, No Holes
34	x	6	x	18 Ga.	Mop Plate	\$19.51	18 Ga Stainless, No Holes
34	x	8	x	18 Ga.	Kick Plate	\$22.77	18 Ga Stainless, No Holes
34	x	10	x	18 Ga.	Kick Plate	\$32.54	18 Ga Stainless, No Holes
34	x	12	x	18 Ga.	Kick Plate	\$39.06	18 Ga Stainless, No Holes
34	x	16	x	18 Ga.	Kick Plate	\$48.29	18 Ga Stainless, No Holes
34	x	34	x	18 Ga.	Armor Plate	\$107.98	18 Ga Stainless, No Holes
34	x	36	x	18 Ga.	Armor Plate	\$107.98	18 Ga Stainless, No Holes
34	x	42	x	18 Ga.	Armor Plate	\$124.56	18 Ga Stainless, No Holes
34	x	46	x	18 Ga.	Armor Plate	\$124.56	18 Ga Stainless, No Holes
36	x	8	x	18 Ga.	Kick Plate	\$23.62	18 Ga Stainless, No Holes
36	x	10	x	18 Ga.	Kick Plate	\$34.46	18 Ga Stainless, No Holes
36	x	12	x	18 Ga.	Kick Plate	\$41.34	18 Ga Stainless, No Holes

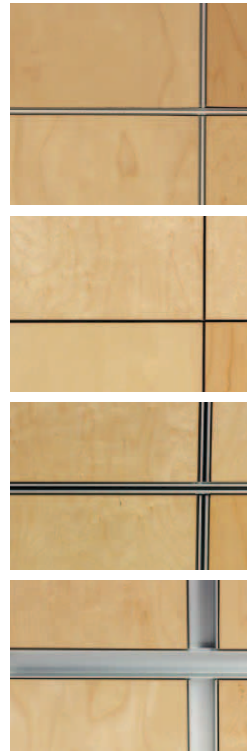
- Custom Shapes & Sizes Available •
- Please Call 631-563-8967 •

WALL PANEL SYSTEMS

(Page 19)



Four Different Looks for Reveals



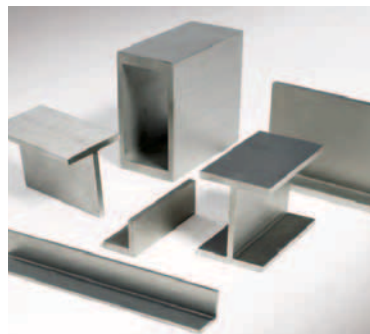
Stainless Wall Panel Systems

(Page 25)



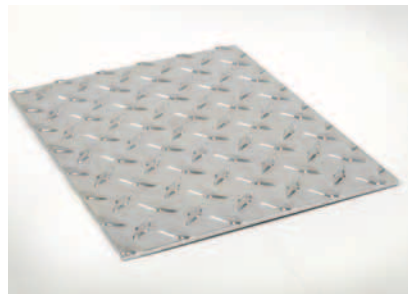
Sharp Corner Stainless Steel Profiles

(Page 54)





Wall Panel Mounting Systems



Architectural Metals