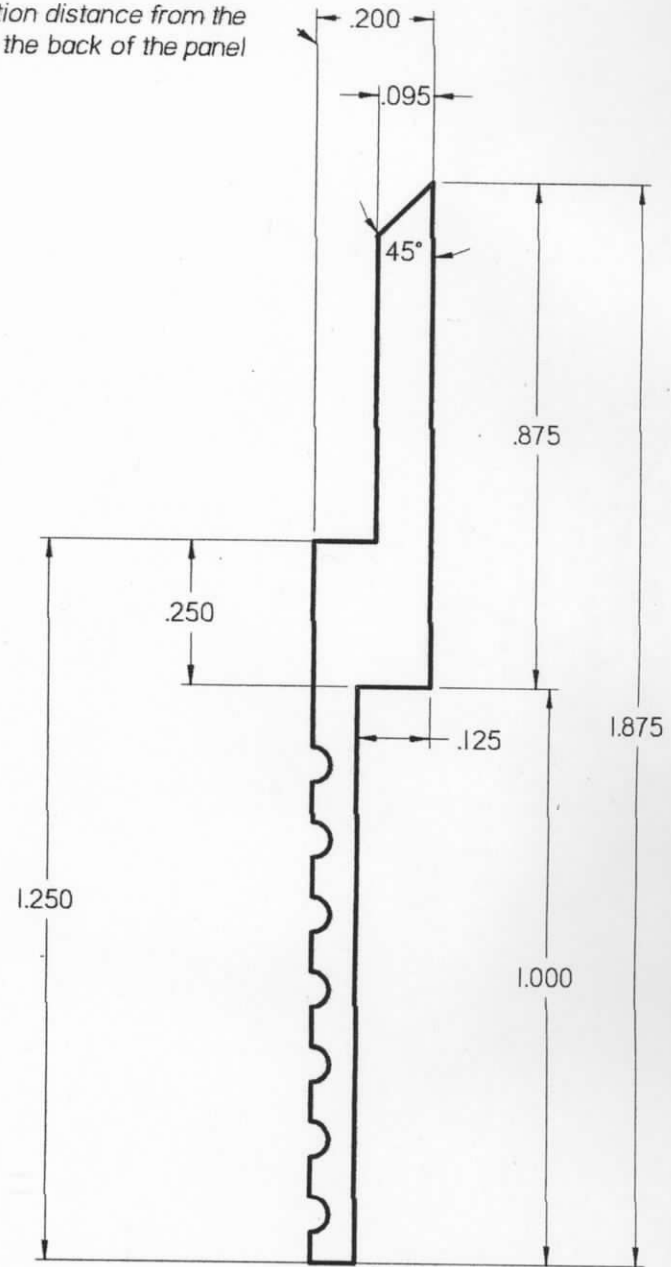
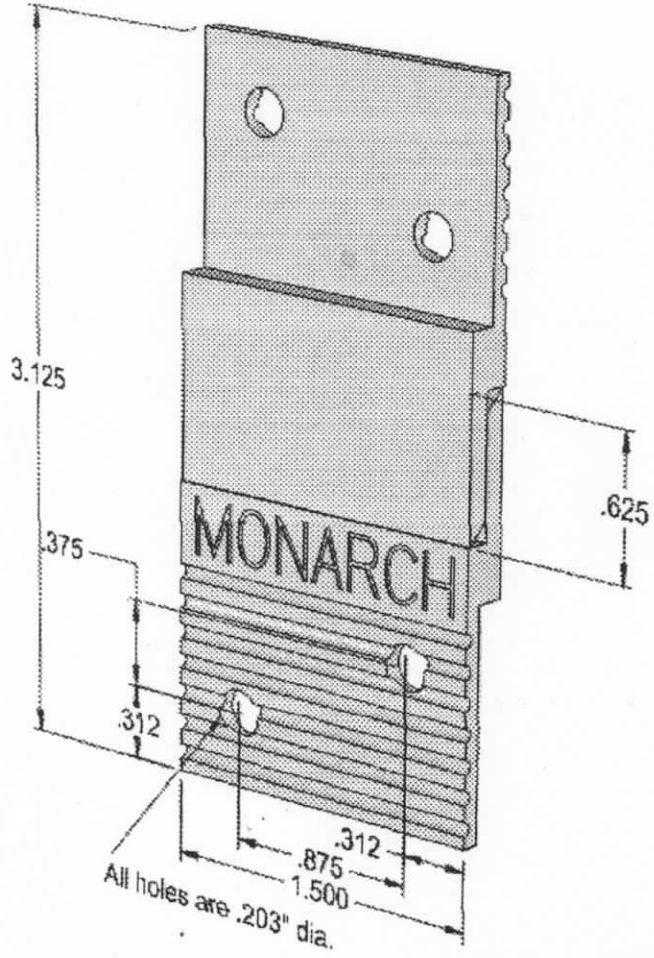


This dimension denotes the projection distance from the wall to the back of the panel



Full Scale Assembly
(2 Identical Parts)

Vertical Section of One Part
Scale 3:1



Note: All dimensions are in inches

Monarch Metal Fabricators	
MF 625 Z- Clip with 5/8" Lift Off	
Assembly and Parts Views	
Scale:	As shown Sheet 1 of 1